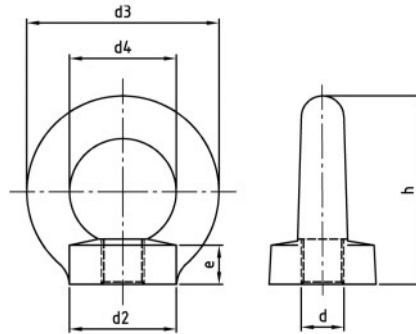


# DIN 582 A4

## Lifting eye nuts drop forged



### TECHNISCHE DATEN

Art.-Nr.	Item Number	0582408
VPE	Number per package	25
	Materials	A4
d	Diameter	8 mm
d2	Plate diameter	20 mm
d3	Outer diameter of ring	36 mm
d4	Inner diameter of ring	20 mm
h	Ring height	36 mm
e	Plate height	8.5 mm

#### Product benefits

Lifting eye nuts according to DIN  
The lifting eye nuts are forged in die. Can be used in a temperature range of between -20C° and +200C° without any limitation on load bearing capacity. As long as they are used as interchangeable and lifting gear, eye bolts in accordance with DIN 582 fall into the category of load-bearing equipment under the EU Directive 98/37/EC and should therefore bear the CE mark.

#### USES

Lifting eye nuts according to DIN  
For lifting and carrying work with stringent requirements in areas of relevance to safety (mechanical engineering, load handling attachments, lifting accessories).

#### Area of use

Machine construction

#### FEATURES

#### Material

Stainless steel A4  
Austenitic stainless and anti-corrosion special-grade steel for use in damp rooms and outdoor applications, including industrial atmospheres and in coastal areas.