

IE-FCM-RJ45-C

Weidmüller Interface GmbH & Co. KG
Klingenbergstraße 26
D-32758 Detmold
Germany

www.weidmueller.com



Service interface FrontCom® Micro with RJ45 in IP65

General ordering data

Version	FrontCom Micro RJ45 coupling
Order No.	1018790000
Type	IE-FCM-RJ45-C
GTIN (EAN)	4032248730056
Qty.	10 items

Technical data

Approvals

Approvals



ROHS	Conform
UL File Number Search	UL Website
Certificate no. (cULus)	E316369

Dimensions and weights

Depth	42.9 mm	Depth (inches)	1.689 inch
Height	44 mm	Height (inches)	1.7323 inch
Width	29.5 mm	Width (inches)	1.1614 inch
Wall thickness, min.	1 mm	Wall thickness, max.	5 mm
Net weight	25 g		

Temperatures

Storage temperature	Operating temperature	-40 °C...70 °C
Installation temperature		

Environmental Product Compliance

RoHS Compliance Status	Compliant without exemption
REACH SVHC	No SVHC above 0.1 wt%

General data

Tightening torque fixing nut	2.0 Nm	Connection 1	RJ45
Connection 2	RJ45	Description of article	FrontCom Micro RJ45 coupling
Colour	black	Housing main material	PA UL 94 V0
Category	Cat.6A / Class EA (ISO/IEC 11801 2010)	Contact surface	Gold over nickel
Type of mounting	Cabinet, Distribution box	Shielding	360°; shield contact
Protection degree	IP65, in closed state	Plugging cycles	750 (RJ45)

Electrical properties

Dielectric strength, contact / shield	≥ 1500 V AC/DC	Dielectric strength, contact / contact	≥ 1000 V AC/DC
PoE / PoE+	conforming to IEEE 802.3af		

General standards

Connector standard	IEC 60603-7-51	Certificate no. (cULus)	E316369
--------------------	----------------	-------------------------	---------

Classifications

ETIM 6.0	EC001031	ETIM 7.0	EC001031
ETIM 8.0	EC001031	ETIM 9.0	EC001031
ETIM 10.0	EC001031	ECLASS 9.0	27-18-27-02
ECLASS 9.1	27-18-27-90	ECLASS 10.0	27-18-27-02
ECLASS 11.0	27-18-27-02	ECLASS 12.0	27-18-28-92
ECLASS 13.0	27-18-28-92	ECLASS 14.0	27-18-28-92

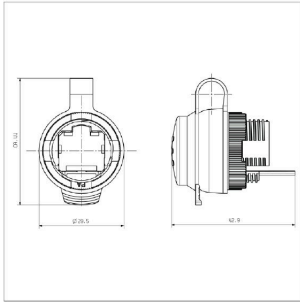
Technical data

ECLASS 15.0

27-18-28-92

Drawings

Dimensioned drawing



Installation cut-out

