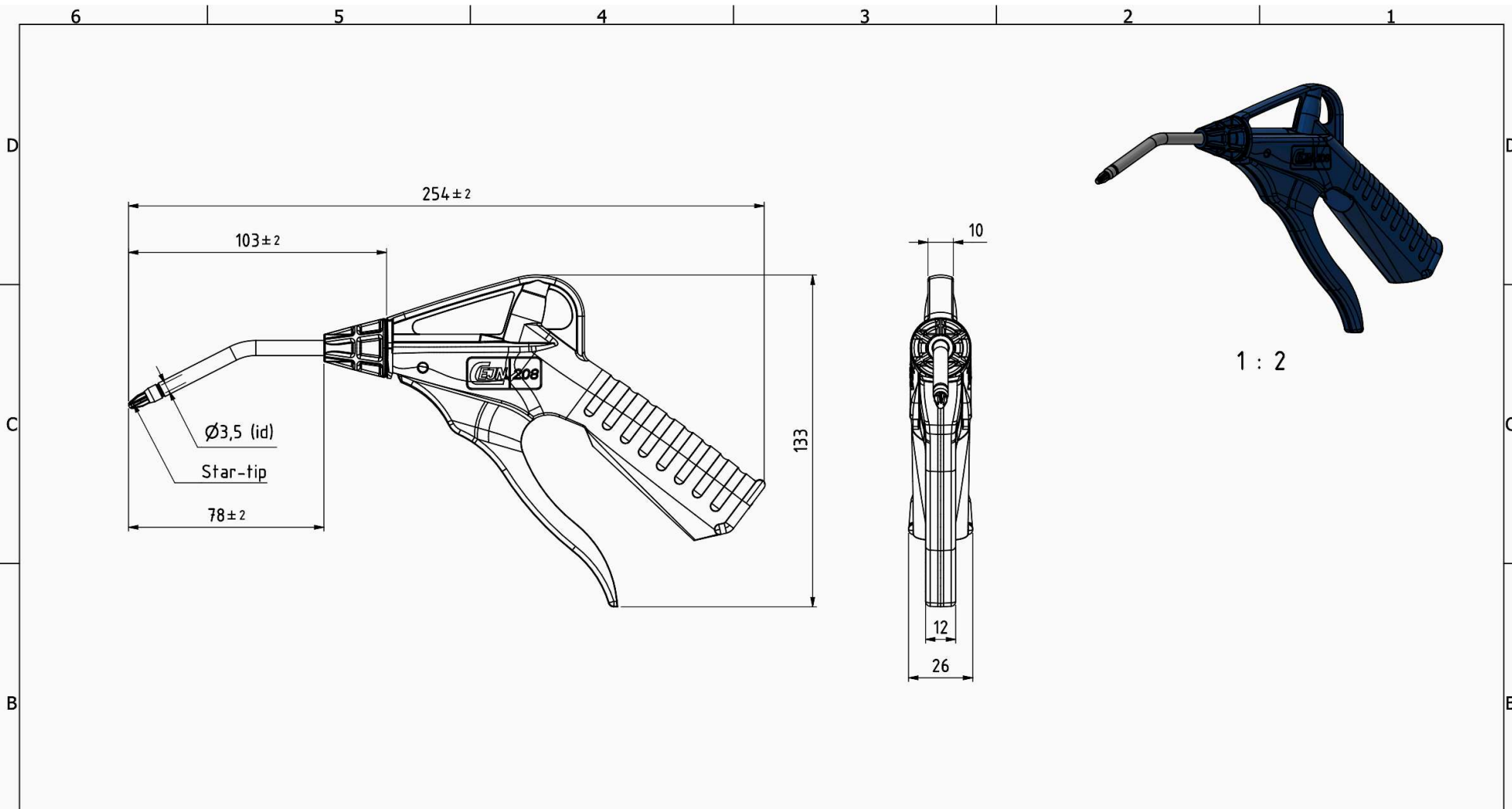


This document must not be copied, either completely or in part, without permission. Any infringement will have legal consequences ©



Compliant with OSHA instruction STD 1 - 13,1
Sound level below 85 dB

Product No.	112083100
Nominal flow ϕ DN:	mm
Connection Stroke:	mm
Max WP Connected:	16 bar
Min BP Connected:	64 bar
Temperature range:	-20°C - +60°C
Connection:	Rc 1/4" fem
Sealing material:	NBR
Hexagon:	

Item	Qty	Description	Material
7	1	Valve	Plastic
6	1	Tube w. star-tip	Brass, Ni5b
5	1	Handle	Plastic
4	1	O-ring	NBR
3	1	Lip seal	NBR
2	1	Spring	Stainless steel
1	1	Body	Plastic

	Scale	2 : 3	Drawn	CABJOTU	Checked	LHE	Appr.	JOOL	ECO	8779	Date	2019-01-14
	Assembly Drawing		112083100		Drawing No.	Issue	Sheet					