

Plug

PowerTOP Xtra S

Part Number: 13523



MENNEKES

Elektrotechnik GmbH & Co. KG
Aloys-Mennekes-Straße 1
57399 KIRCHHUNDEM GERMANY
www.MENNEKES.org

Product Description

- screwless, with insulation displacement technology SafeCONTACT
- ergonomic enclosure design with nubbed grip zones
- rubberised cable gland with sealing
- strain relief and protection against kinking
- thread lock and safety slide
- area for self-adhesive labels

Technical Details

Plug - PowerTOP Xtra S	13523
Product series	PowerTOP Xtra S
Ampere	32A
UL-Ampere	13523
Number of Poles	5p
Clock position	6h
Voltage	400V
Hertz	50-60 Hz
Current Type	AC
Protection Type	IP54
Contact carrier	Standard
Pilot contact	Without pilot contact
Connection	Insulation displacement technology - SafeCONTACT
Screw drive contact screw	-
Phase inverter plugs	Without phase inverter
Conductor cross-section min.	2,5 mm ²

Conductor cross-section max.	6 mm ²
Cable kink protection	Integrated in cable gland
Protective grommet	Without protective grommet
Protective cap	Without protective cap
EAN / Identification number	4015394289302

Permissible ambient conditions

Permanent ambient temperature min. - max.	-25 °C - +40 °C
---	-----------------

Material properties

Cover	PA6 similar RAL 3013 red
Front part	PA6 similar RAL 3013 red

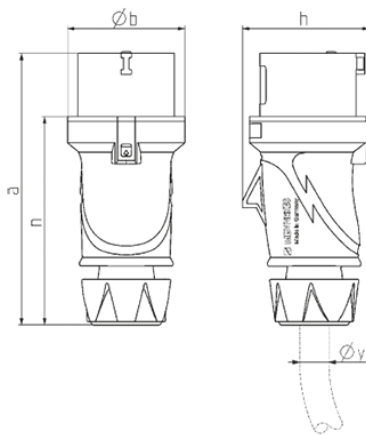
Material resistance

The material resistance overview can be found on the website in the section “Knowledge” → “Product knowledge” → “Materials”

Regulations and Standards

RoHS 2011/65/EU incl. 2015/863/EU	✓
POP Regulation (EU) 2019/1021	✓
Norm(s)	IEC 60309-2
Declaration of conformity	CE
Certification	VDE, CQC

Dimensional drawing



Zeichnung	Amp. Pole	16			32		
		3	4	5	3	4	5
2 MB 253							
Maße in mm	a	154	163	163	196	196	196
	b	55	68	68	78	78	78
	h	58	70	74	81	81	86
	n	118	126	126	151	151	151
y von		7	8	8	10,5	10,5	13,5
bis max. mm		-13	-15,5	-15,5	-18	-18	-20
Klemmen für Leiterquer-		1	1	1	2,5	2,5	2,5
schnitt von bis mm ²		-2,5	-2,5	-2,5	-6	-6	-6