

# Connector PowerTOP Xtra S

Part Number: 14523



## MENNEKES

Elektrotechnik GmbH & Co. KG  
Aloys-Mennekes-Straße 1  
57399 KIRCHHUNDEM GERMANY  
[www.MENNEKES.org](http://www.MENNEKES.org)

# Product Description

- screwless, with insulation displacement technology SafeCONTACT
- X-CONTACT
- ergonomic enclosure design with nubbed grip zones
- rubberised cable gland with sealing
- strain relief and protection against kinking
- thread lock and safety slide
- area for self-adhesive labels

# Technical Details

Connector - PowerTOP Xtra S	14523
Product series	PowerTOP Xtra S
Ampere	32A
Number of Poles	5p
Clock position	6h
Voltage	400V
Hertz	50-60 Hz
Current Type	AC
Protection Type	IP54
Contact carrier	Standard X-CONTACT
Pilot contact	Without pilot contact
Connection	Insulation displacement technology - SafeCONTACT
Screw drive contact screw	-
Conductor cross-section min.	2,5 mm <sup>2</sup>
Conductor cross-section max.	6 mm <sup>2</sup>

Cable kink protection	Integrated in cable gland
Protective grommet	Without protective grommet
Weight (net)	455g
EAN / Identification number	4015394289340

### Permissible ambient conditions

Permanent ambient temperature min. - max.	-25 °C - +40 °C
---	-----------------

### Material properties

Hinged lid	PC similar RAL 3013 red
Cover	PA6 similar RAL 3013 red
Front part	PA6 similar RAL 3013 red

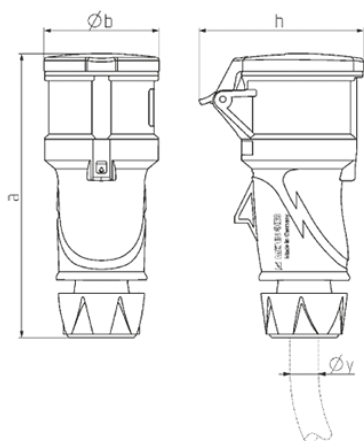
### Material resistance

The material resistance overview can be found on the website in the section “Knowledge” → “Product knowledge” → “Materials”

**Regulations and Standards**

RoHS 2011/65/EU incl. 2015/863/EU	✓
POP Regulation (EU) 2019/1021	✓
Norm(s)	IEC 60309-2
Declaration of conformity	CE
Certification	VDE, CQC

# Dimensional drawing



Zeichnung	Amp. Pole	16			32		
		3	4	5	3	4	5
Maße in mm	a	165	177	174	211	211	209
	b	55	68	69	78	78	80
	h	72	93	98	100	100	108
y min		7	8	8	10,5	10,5	13,5
bis max. mm		-13	-15,5	-15,5	-18	-18	-20
Klemmen für Leiterquer-		1	1	1	2,5	2,5	2,5
schnitt von bis mm <sup>2</sup>		-2,5	-2,5	-2,5	-6	-6	-6