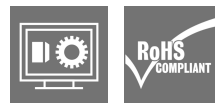


SAI-06L-VPFC-3A-M08L-PNP-10U02

Weidmüller Interface GmbH & Co. KG
Klingenbergstraße 26
D-32758 Detmold
Germany

www.weidmueller.com



The new slim M8 line from Weidmüller. This range of products is characterised by the marking options at all connection positions. Even the 4-way distributor with 8-pole M12 has adequately large markers at all M8 connection positions. Furthermore, this distributor is shorter than many conventional M8 designs.

- Very narrow, short and flat M8 distributor.
- The range is supplied with 4 to 12 M8 connection positions, 3 or 4 poles.
- Hybrid variants of the M8 are also possible on request.
- The M8 line is equipped with transverse holes.

General ordering data

Version	Fixed cable version, M8, 30 V, , LED: Yes, LED initiator: Yes, Wiring type: PNP, 10 m
Order No.	1828690000
Type	SAI-06L-VPFC-3A-M08L-PNP-10U02
GTIN (EAN)	4032248335336
Qty.	1 items

SAI-06L-VPFC-3A-M08L-PNP-10U02

Weidmüller Interface GmbH & Co. KG
Klingenbergstraße 26
D-32758 Detmold
Germany

www.weidmueller.com

Technical data

Approvals

Approvals



ROHS Conform

UL File Number Search [UL Website](#)

Certificate No. (cURus) E92202

Dimensions and weights

Depth	18.2 mm	Depth (inches)	0.7165 inch
Height	118 mm	Height (inches)	4.6457 inch
Width	24 mm	Width (inches)	0.9449 inch
Net weight	771 g		

Temperatures

Operating temperature -25 - 80°C

Environmental Product Compliance

RoHS Compliance Status Compliant without exemption

REACH SVHC No SVHC above 0.1 wt%

Connection data

Sheathing stripping length 100 mm Distributor outlet Fixed cable version

Electrical data

Rated voltage, min.	10 V	Rated voltage, max.	30 V
Test voltage	1 kV	Max. current-carrying capacity per slot	2 A
Total current	6 A	Current per signal	1 A
Electrical isolation available	No	Insulation resistance	109 Ω

General technical data

Protection degree	IP68	Number of poles	3
Number of contact sockets	6	Connection thread	M8
Pollution severity	3	Fire behaviour	V-0
LED	Yes	LED initiator	Yes
LED colour for indicating operation	green	LED colour for I/O function	yellow

Material data

Material O-Ring	FKM	Housing main material	PBT
Material of distributor	Plastic	Housing colour	black (similar to RAL 9005)
Screw socket	Nickel-plated CuZn	Contact material	CuZn
Contact surface	Gold-plated	Contact carrier material	PBT (UL 94 V0)

Technical data cable

Number of poles	3	Sheathing colour	black
O.D.	7.2 mm	Shielded	No

Creation date 18.10.2025 04:02:05 MEZ

Catalogue status / Drawings

SAI-06L-VPFC-3A-M08L-PNP-10U02

Weidmüller Interface GmbH & Co. KG
 Klingenbergstraße 26
 D-32758 Detmold
 Germany

www.weidmueller.com

Technical data

Halogen	No	Bending radius, min., moving	10 x cable diameter
Bending cycles	2 Mio	Wire cross section (Print/Online)	6 x 0.34 mm ² + 2 x 0.75 mm ²
Sheath material	PUR	Cable length	10 m
Suitable for cable carriers	Yes		

Classifications

ETIM 6.0	EC002585	ETIM 7.0	EC002585
ETIM 8.0	EC002585	ETIM 9.0	EC002585
ETIM 10.0	EC002585	ECLASS 9.0	27-44-01-08
ECLASS 9.1	27-44-01-08	ECLASS 10.0	27-44-01-08
ECLASS 11.0	27-44-01-08	ECLASS 12.0	27-44-01-08
ECLASS 13.0	27-44-01-08	ECLASS 14.0	27-44-01-08
ECLASS 15.0	27-44-01-08		

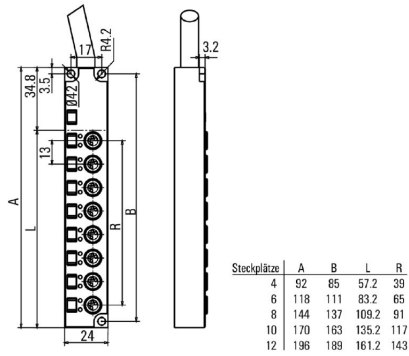
SAI-06L-VPFC-3A-M08L-PNP-10U02

Weidmüller Interface GmbH & Co. KG
 Klingenbergstraße 26
 D-32758 Detmold
 Germany

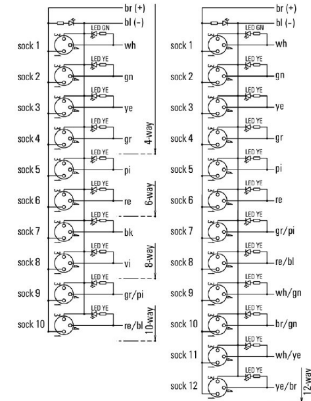
Drawings

www.weidmueller.com

Dimensioned drawing



Wiring diagram



Pole scheme

