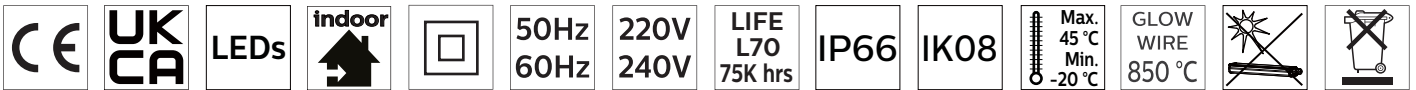
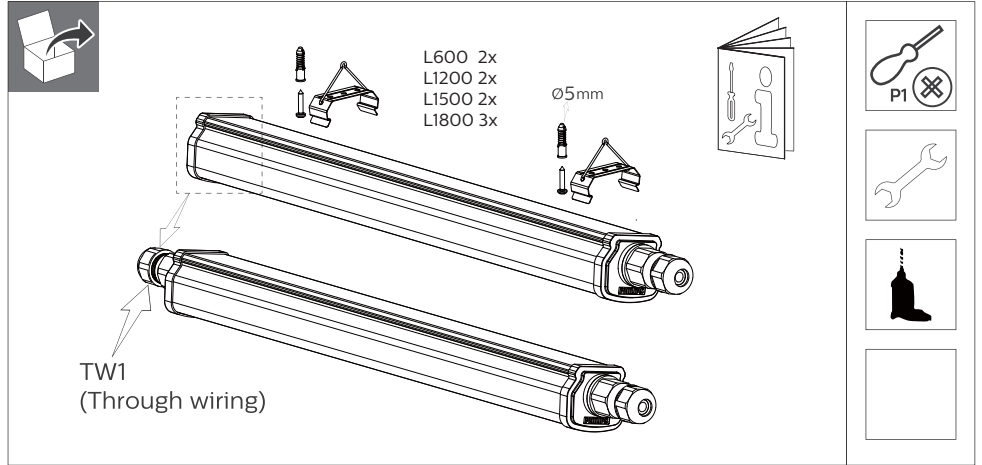


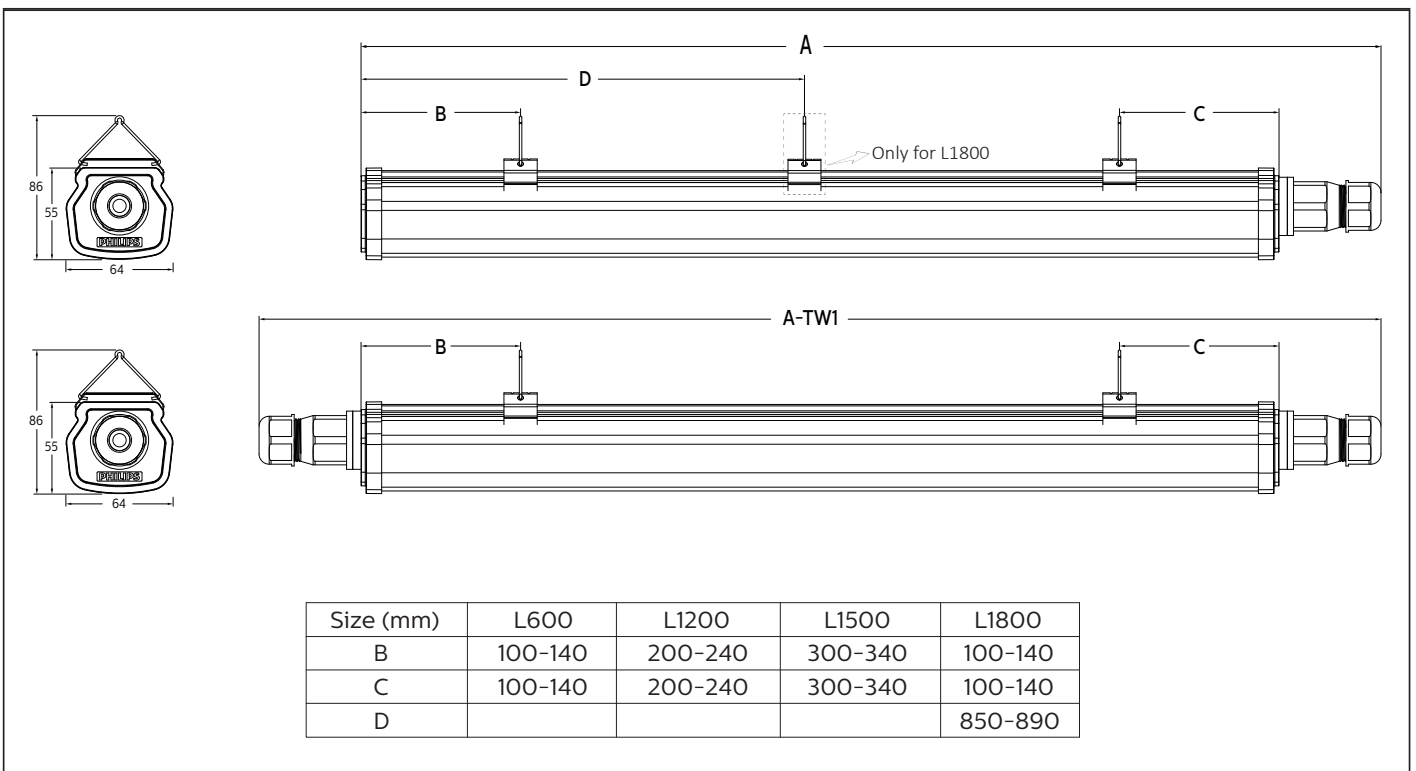
# PHILIPS

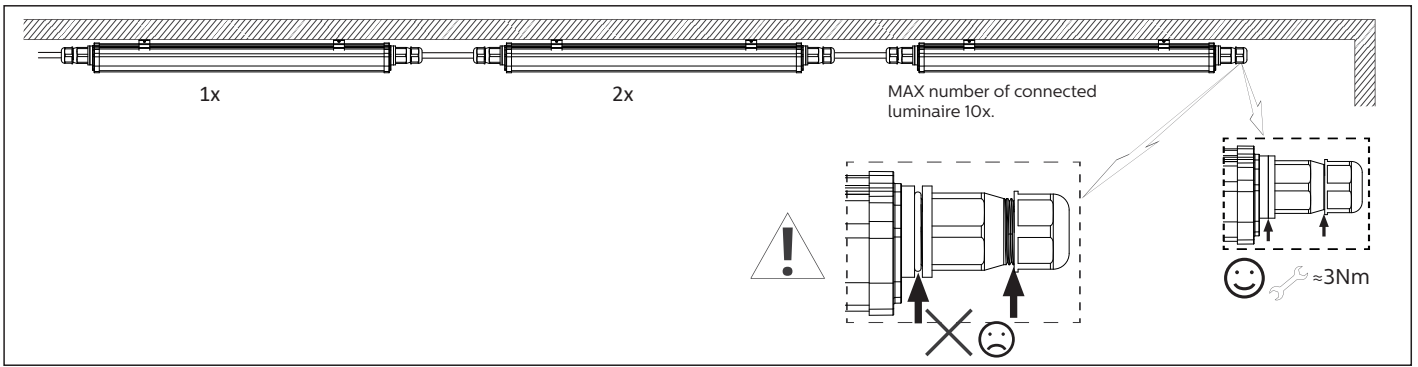
## Ledinaire Waterproof

### WT060C



Type		System lumen (Lm)	CCT	P(W)	A (cm)	A-TW1 (cm)	Energy efficiency class of light source	
WT060C LED18S/840 PSU L600 BN		1800	4000K	15	61		D	0.31
WT060C LED36S/840 PSU L1200 BN		3600	4000K	30	120		D	0.56
WT060C LED36S/840 PSU TW1 L1200 BN	●	3600	4000K	30	126	126	D	0.64
WT060C LED25S/840 PSU L1200 BN		2500	4000K	20	120		D	0.56
WT060C LED25S/840 PSU TW1 L1200 BN	●	2500	4000K	20	126	126	D	0.64
WT060C LED56S/840 PSU L1500 BN		5600	4000K	46	150		D	0.7
WT060C LED56S/840 PSU TW1 L1500 BN	●	5600	4000K	46	156	156	D	0.83
WT060C LED34S/840 PSU L1500 BN		3400	4000K	28	150		D	0.7
WT060C LED34S/840 PSU TW1 L1500 BN	●	3400	4000K	28	156	156	D	0.83
WT060C LED80S/840 PSU L1800 BN		8000	4000K	65	180		D	0.83
WT060C LED36S/865 PSU L1200 BN		3600	6500K	30	120		D	0.56
WT060C LED56S/865 PSU L1500 BN		5600	6500K	46	150		D	0.7





! - The luminaire shall be installed by a qualified electrician and wired in accordance with the latest IEE electrical regulations or the national requirements.

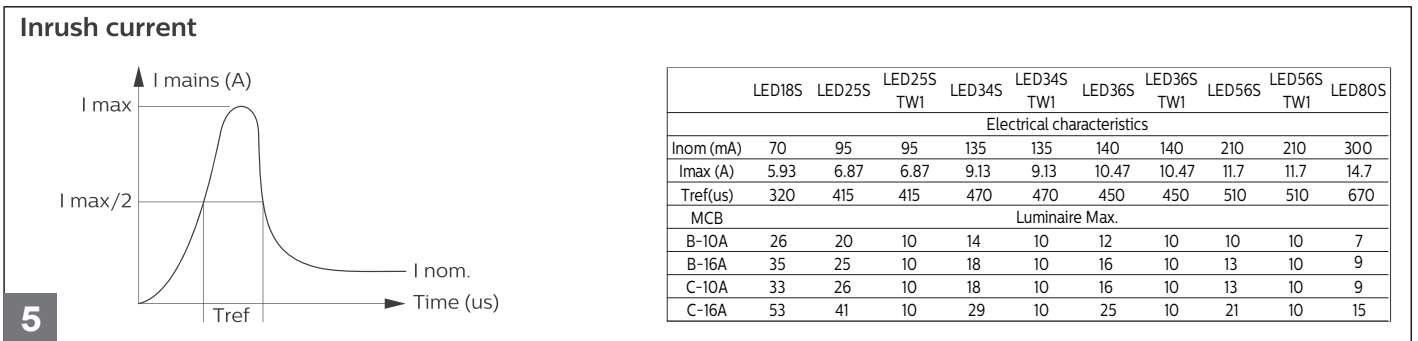
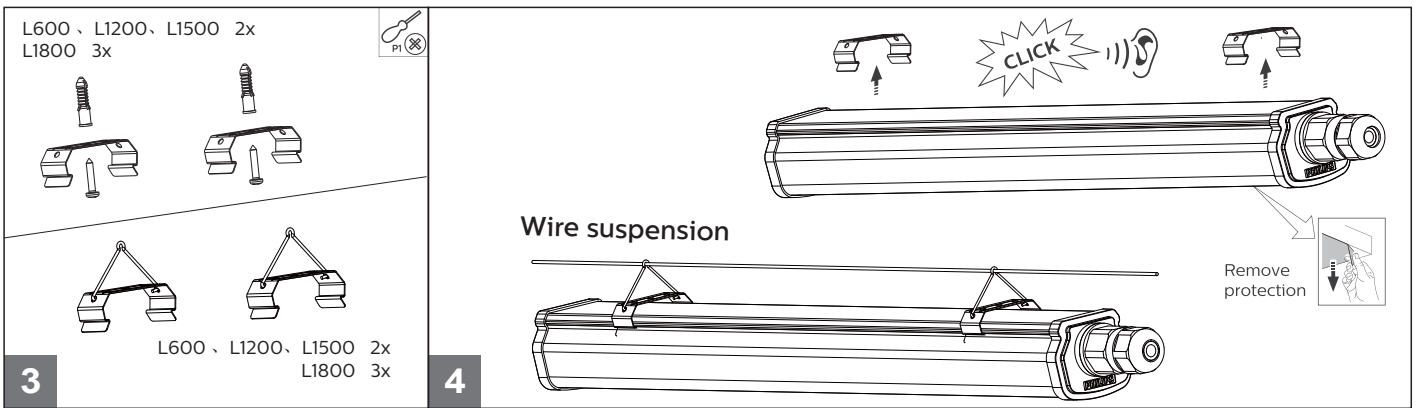
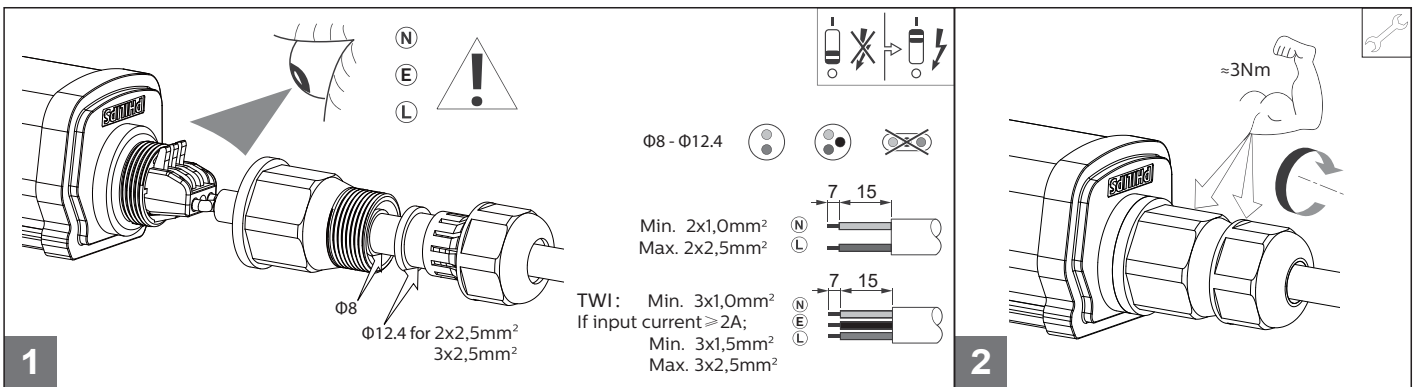
- The LED driver is not serviceable and not replaceable.

- The light source of this luminaire is not replaceable; when the light source reaches its end of life the whole luminaire shall be replaced.

- Luminaire must not be used or stored in corrosive environments where hazardous materials such as sulphur, chlorine, phthalates, etc. are present.

- To reduce the risk of strangulation the flexible wiring connected to this luminaire shall be effectively fixed to the wall if the wiring is within arm's reach.

ATTENTION  
OBSERVE PRECAUTIONS  
FOR HANDLING  
ELECTROSTATIC  
SENSITIVE  
DEVICES



© 07/ 2023 Signify Holding.  
All rights reserved. This document contains information relating to the product portfolio of Signify which information may be subject to change. No representation or warranty as to the accuracy or completeness of the information included herein is given and any liability for any action in reliance thereon is disclaimed. The information presented in this document is not intended as any commercial offer and does not form part of any quotation or contract. Philips and the Philips Shield Emblem are registered trademarks of Koninklijke Philips N.V.. All other trademarks are owned by Signify Holding or their respective owners.

Signify Holding.  
The Netherlands

