

AMG FIM-C**Weidmüller Interface GmbH & Co. KG**Klingenbergstraße 26
D-32758 Detmold
Germany

www.weidmueller.com



Similar to illustration

Efficient machine and facility operation calls for fail-safe and maintenance-friendly control voltage distribution that can be installed in a time and space-saving manner.

With the new maxGUARD system, the terminal blocks (previously installed separately) for distributing potential to the outputs of the electronic load monitors become an integral part of a 24 V DC control voltage distribution system.

The innovative combination of load monitoring and potential distribution saves time during installation, increases safety against failure and reduces the amount of space required on the terminal rail by 50%.

General ordering data

Version	Supply module, 24 V DC
Order No.	2081880000
Type	AMG FIM-C
GTIN (EAN)	4050118419429
Qty.	1 items

AMG FIM-C

Weidmüller Interface GmbH & Co. KG

Klingenbergstraße 26

D-32758 Detmold

Germany

www.weidmueller.com

Technical data

Approvals

Approvals



ROHS Conform

UL File Number Search [UL Website](#)

Certificate no. (cULus) E258476

Dimensions and weights

Depth	96.5 mm	Depth (inches)	3.7992 inch
Height	125 mm	Height (inches)	4.9212 inch
Width	12.2 mm	Width (inches)	0.4803 inch
Net weight	78 g		

Temperatures

Storage temperature	-40 °C...85 °C	Operating temperature	-25 °C...70 °C
Continuous operating temp., min.	-25 °C	Continuous operating temp., max.	70 °C

Environmental Product Compliance

RoHS Compliance Status	Compliant with exemption
RoHS Exemption (if applicable/known)	7a, 7cI
REACH SVHC	Lead 7439-92-1
SCIP	a7fff16c-85aa-4fb0-a206-7be03f41b0b7

Input

Connection system	PUSH IN	Rated input voltage	24 V DC
Type of connection	PUSH IN	Nominal current	40 A
Input fuse (internal)	No	DC input voltage range	18...30 V DC
Current consumption (idle)	20 mA	Current consumption (full load)	120 mA
max. admissible residual ripple at the input	100 mVpp		

Output

Connection system	PUSH IN
-------------------	---------

General data

Protection degree	IP20	
Surge voltage category	III	
MTTF	According to Standard	SN 29500
	Operating time (hours), min.	3996000 h
	Ambient temperature	40 °C
	Input voltage	24 V
	Duty cycle	100 %
Conformal coating	No	
Power loss, idling	384 mW	
Power loss, nominal load	500 mW	
Control inputs	Reset	

AMG FIM-C

Weidmüller Interface GmbH & Co. KG

Klingenbergstraße 26
D-32758 Detmold
Germany

www.weidmueller.com

Technical data

Insulation coordination

Surge voltage category III

Connection data (input)

Connection system	PUSH IN	Number of terminals	2 (+,-)
Screwdriver blade	1.2 x 6.5	Conductor cross-section, AWG/kcmil , max.	6 AWG
Conductor cross-section, AWG/kcmil , min.	18 AWG	Wire connection cross section, flexible (input), max.	16 mm ²
Conductor cross-section, flexible , min.	0.75 mm ²	Conductor cross-section, rigid , max.	10 mm ²
Conductor cross-section, rigid , min.	0.75 mm ²		

Connection data (output)

Connection system	PUSH IN	Number of terminals	2 (I</ Alarm)
Conductor cross-section, AWG/kcmil , max.	12 AWG	Conductor cross-section, AWG/kcmil , min.	26 AWG
Conductor cross-section, flexible , max.	1.5 mm ²	Conductor cross-section, flexible , min.	0.14 mm ²
Conductor cross-section, rigid , max.	1.5 mm ²	Conductor cross-section, rigid , min.	0.14 mm ²
Screwdriver blade	0.4 x 2.5		

Connection data (signal)

Wire connection cross-section, flexible (signal), max. 1.5 mm²

Signalling

Transistor output, positive-switching	Alarm	LED green	Operating voltage OK
Red LED	Alarm	Yellow LED	External reset is signalled, Alarm is signalled

Classifications

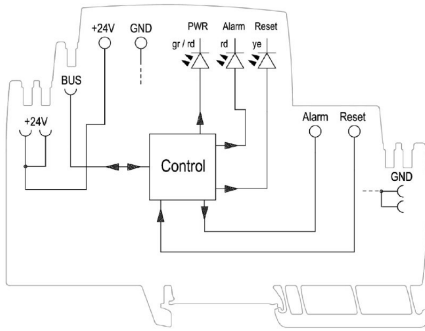
ETIM 6.0	EC000897	ETIM 7.0	EC000897
ETIM 8.0	EC000897	ETIM 9.0	EC000897
ETIM 10.0	EC000897	ECLASS 9.0	27-14-11-20
ECLASS 9.1	27-14-11-20	ECLASS 10.0	27-14-11-20
ECLASS 11.0	27-14-11-20	ECLASS 12.0	27-14-11-20
ECLASS 13.0	27-25-01-01	ECLASS 14.0	27-25-01-01
ECLASS 15.0	27-25-01-01		

AMG FIM-C

Weidmüller Interface GmbH & Co. KG
Klingenbergstraße 26
D-32758 Detmold
Germany

Drawings

www.weidmueller.com



Schematic circuit diagram