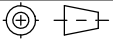

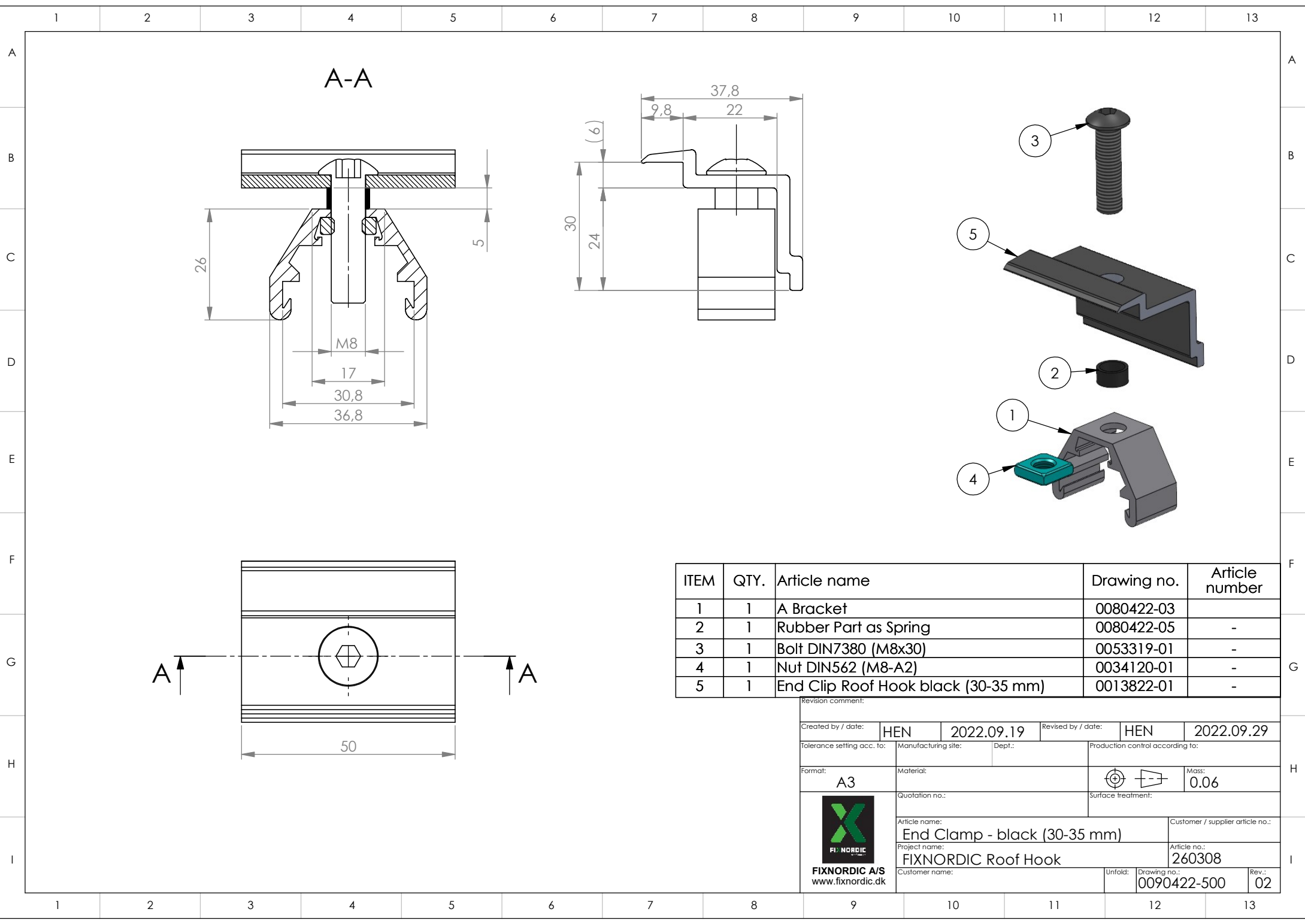
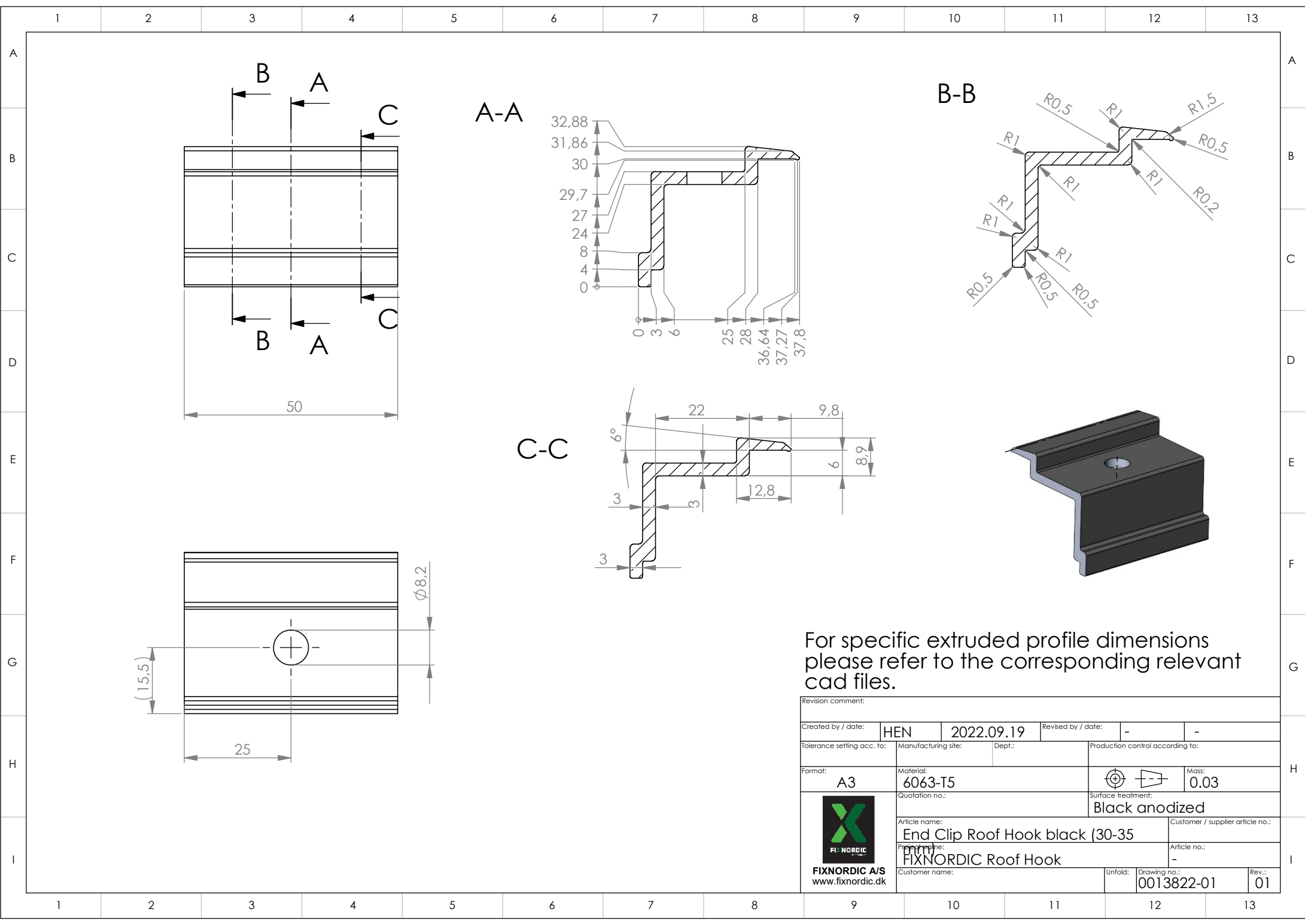


Revision comment:			
Created by / date:		Revised by / date:	
Tolerance setting acc. to:	Manufacturing site:	Dept.:	Production control according to:
Format: <b>A3</b>	Material:		Mass:
	Quotation no.:	Surface treatment:	
	Article name:	Customer / supplier article no.:	
	Project name:	Article no.:	
	Customer name:	Unfold:	Drawing no.: <b>0090422-5001</b>
			Rev.:



ITEM	QTY.	Article name	Drawing no.	Article number
1	1	A Bracket	0080422-03	
2	1	Rubber Part as Spring	0080422-05	-
3	1	Bolt DIN7380 (M8x30)	0053319-01	-
4	1	Nut DIN562 (M8-A2)	0034120-01	-
5	1	End Clip Roof Hook black (30-35 mm)	0013822-01	-

Revision comment:					
Created by / date:	HEN	2022.09.19	Revised by / date:	HEN	2022.09.29
Tolerance setting acc. to:	Manufacturing site:	Dept.:	Production control according to:		
Format:	Material:			Mass:	0.06
Quotation no.:			Surface treatment:		
Article name:			Customer / supplier article no.:		
Project name:			Article no.:		
Customer name:			Unfold:	Drawing no.:	Rev.:
 <b>FIXNORDIC A/S</b> www.fixnordic.dk				0090422-500	02



For specific extruded profile dimensions please refer to the corresponding relevant cad files.

Revision comment:			
Created by / date:	HEN	2022.09.19	Revised by / date: -
Tolerance setting acc. to:	Manufacturing site:	Dept.:	Production control according to:
Format:	A3	Material:	6063-T5
		Quotation no.:	Surface treatment:
			Black anodized
		Article name:	End Clip Roof Hook black (30-35)
		Project name:	FIXNORDIC Roof Hook
		Customer name:	Unfold: Drawing no.:
			0013822-01
			Rev.: 01

