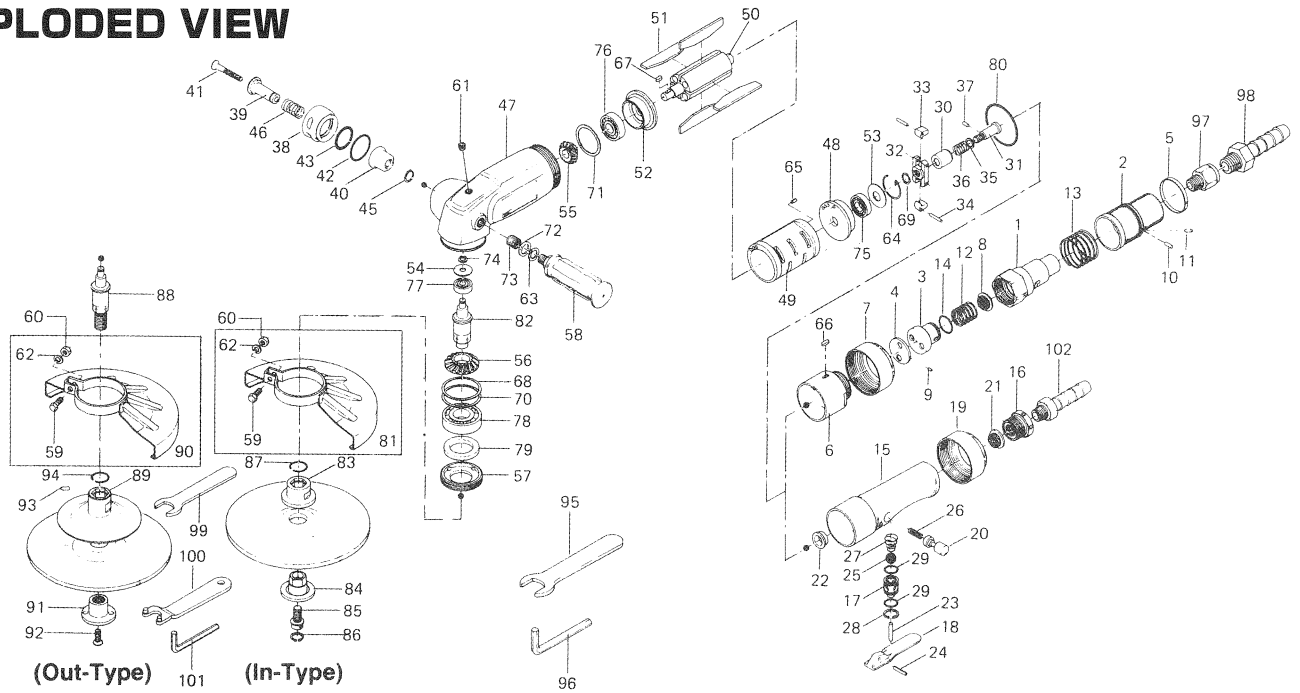


UAG-70 series AIR GRINDERS

EXPLODED VIEW



PARTS LIST

Index No.	Code No.	Parts Name	Quantity	Index No.	Code No.	Parts Name	Quantity	Index No.	Code No.	Parts Name	Quantity
591-003-6 Handle Assembly(Roll Type) [Components are marked with "○".]				#35	975-728-0	Adjusting Spacer (13×10×1)	1	#72	975-095-0	Spacer (18×13×1)	1
# 1	591-014-6	○ Valve Body	1	#36	976-340-0	Spring (13.3×19)	1	#73	965-058-0	Heli-Sert (M12×1)	1
# 2	591-015-6	○ Valve Handle	1	#37	970-205-0	Pin (H) (3×7)	1	#74	979-104-0	Outer Snap Ring (7)	1
# 3	591-100-6	○ Valve	1	591-885-6 Silencer Assembly				#75	982-141-0	Ball Bearing (6001Z)	1
# 4	591-102-6	○ Valve Seat	1	#38	591-780-7	Exhaust Stack	1	#76	982-241-0	Ball Bearing (6201Z)	1
# 5	591-670-6	○ Band	1	#39	591-787-7	Exhaust Cover Retainer	1	#77	982-022-0	Ball Bearing (627)	1
# 6	591-729-6	○ Handle Body Connector	1	#40	591-782-6	Exhaust Cover	1	#78	982-244-0	Ball Bearing (6204Z)	1
# 7	591-736-7	○ Valve Body Nut	1	#41	948-568-0	Allen Flush Head Bolt (M6×45)	1	#79	993-040-0	Felt Ring (28×42×5)	1
# 8	573-835-9	○ Filter	1	#42	990-927-0	O-Ring (SNS-34)	1	#80	990-939-0	O-Ring (SNS-50)	1
# 9	970-204-0	○ Pin (H) (3×6)	1	#43	990-503-0	O-Ring (G-30)	1	Parts for UAG-70 (IN-Type)			
#10	972-108-0	○ Roller Pin (4×8)	1	#44	979-109-0	Outer Snap Ring (12)	1	#81	591-759-1	Wheel Guard	1
#11	973-008-0	○ Spring (23×20)	1	#45	976-398-0	Spring (16.7×19)	1	#82	591-390-6	Wheel Spindle (IN)	1
#12	976-533-0	○ Spring (40.5×25)	1	#46	591-025-7	Casing	1	#83	591-393-6	Ball Bearing (6204Z)	1
#13	990-919-0	○ O-Ring (SNS-22)	1	#47	591-285-6	Cylinder Rear Plate	1	#84	591-394-6	Wheel Nut Flange	1
591-003-7 Handle Assembly(Lever Type) [Components are marked with "★".]				#48	591-286-6	Cylinder	1	#85	945-993-0	Hexagon Socket Flange Head Bolt (M10×18)	1
#15	591-014-7	★ Handle (Lever Type)	1	#49	591-287-6	Rotor	1	#86	979-317-0	Inner Snap Ring (IRWT-17)	1
#16	519-091-6	★ Air Inlet Bushing	1	#50	591-288-6	Blade	4	#87	978-209-0	Snap Ring (21×1.2)	1
#17	591-101-7	★ Valve Bushing	1	#51	591-289-7	Front Plate	1	Parts for UAG-70 (OUT-Type)			
#18	593-107-3	★ Valve Lever	1	#52	591-291-6	Cylinder Rear Plate Spacer	1	#88	591-390-3	Wheel Spindle (OUT)	1
#19	591-736-7	★ Valve Body Nut	1	#53	537-391-0	Wheel Spindle Rear Cover	1	#89	564-393-4	Wheel Holder Flange	1
#20	585-765-1	★ Safety Pin	1	#54	591-420-8	Driving Gear	1	#90	591-770-3	Wheel Guard	1
#21	573-835-9	★ Filter	1	#55	591-430-8	Driven Gear	1	#91	518-394-7	Wheel Nut Flange	1
#22	591-171-7	Governor Valve Bushing	1	#56	591-065-6	Casing Front Cover	1	#92	948-453-0	Allen Head Screw (M6×18)	1
#23	970-322-0	★ Pin (H) (4x22)	1	#57	566-720-2	Dead Handle	1	#93	973-122-0	Roll Pin (3×22)	1
#24	973-174-0	★ Roll Pin (3.5x24)	1	#58	946-904-0	Hexagon Head Bolt (M6×22)	1	#94	979-361-0	Inner Snap Ring (ISTW-20)	1
#25	981-214-0	★ Ball (1/2)	1	#60	960-041-0	Hexagon Head Nut (1-M6)	1	STANDARD ACCESSORIES			
#26	976-114-0	★ Spring (6x18)	1	#61	966-100-0	Allen Head Plug (1/8)	1	For UAG-70 (IN-Type)			
#27	977-260-0	★ Cone Spring (10x16x16)	1	#62	962-009-0	Spring Washer (2-6S)	1	#95	936-005-0	Spanner (24×5×195)	1
#28	979-011-0	★ Inner Snap Ring (18)	1	#63	962-013-0	Spring Washer (2-12S)	1	#96	939-006-0	Allen Wrench (8)	1
#29	990-913-0	★ O-Ring (SNS15)	2	#64	978-338-0	Snap Ring (34×1.2)	1	#97	942-123-0	Connecting Screw (3/8×NPT3/8)	1
COMMON PARTS				#65	973-108-0	Roll Pin (3×8)	1	#98	940-125-0	Air Hose Nipple (NPT3/8×1/2)	1
591-893-6 Governor Cage Assembly				#66	974-001-0	Key (3×2.5×11)	1	For UAG-70 (OUT-Type)			
#30	591-170-8	Governor Valve	1	#67	974-008-0	Key (3×8)	1	#99	936-524-0	Spanner (24)	1
#31	591-176-7	Governor Spindle	1	#68	975-376-0	Spacer (47×43×1)	1	#100	938-157-0	Spanner (6×30×17)	1
#32	591-181-7	Governor Cage	1	#69	975-027-0	Spacer (12×8.5×1)	1	#101	939-105-0	Allen Wrench (4)	1
#33	591-183-6	Governor Weight	2	#70	975-881-0	Adjusting Spacer (47×43×1)	1	#102	940-125-0	Air Hose Nipple (NPT3/8×1/2)	1
#34	973-120-0	Roll Pin (3×20)	2	#71	975-868-0	Adjusting Spacer (43×38×1)	1				

When ordering spare parts, please specify tool type, code number and parts names.

Printed in Japan

URYU SEISAKU, LTD. Osaka, Japan