

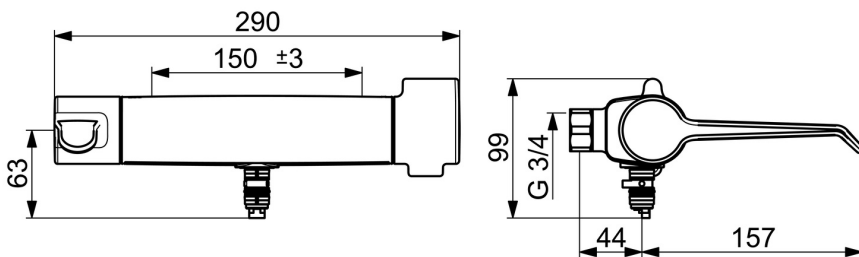
EAN: 6414150098567

[static.oras.com/5667](http://static.oras.com/5667)



Thermostatic wall-mounted washbasin faucet with long ergonomic flow handles. Temperature handle equipped with safety lock. Volume handle with EcoFlow control. The faucet is equipped with thermal disinfection. The faucet includes litter filters and non-return valves.

- Health & Care
- Thermostatic
- Wall mounted
- Chrome
- Temperature control handle, Flow control handle, Long shape, Eco feature for water flow
- The housing of the fittings conducts minimal heat
- Ceramic head part for flow control, Thermostatic cartridge for automatic temperature control, Non-return valve(s), Litter filter(s)
- Direct connection
- Inner body made of DZR brass, Waterways without nickel coating
- Safety lock against scalding. Adjustable limiter between 38°-42°C during mounting



## Technical data

### Flow properties

Flow-rate at 300 kPa **0.19 l/s**

### Technical properties

Hot water supply **max. +80°C**  
 Working pressure **100 - 1000 kPa**  
 Connection size **G3/4**  
 Installation width **150 ± 3 mm**  
 Backflow prevention (EN1717) **AA**  
 Material **Brass**

### Regulations

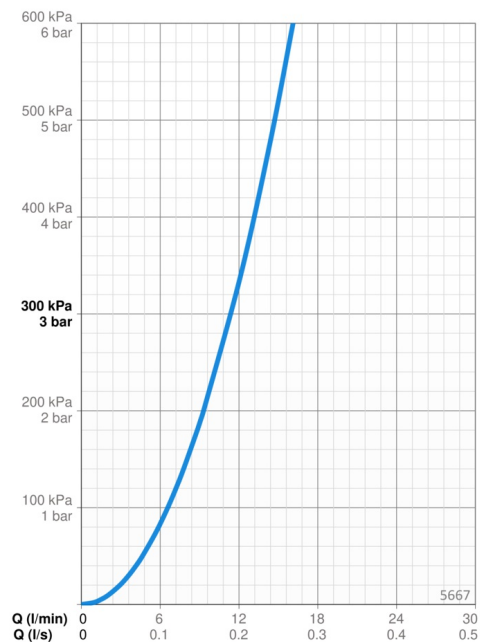
EN standard **EN 1111**  
 Noise class **I (ISO 3822)**

### Approvals and Declarations

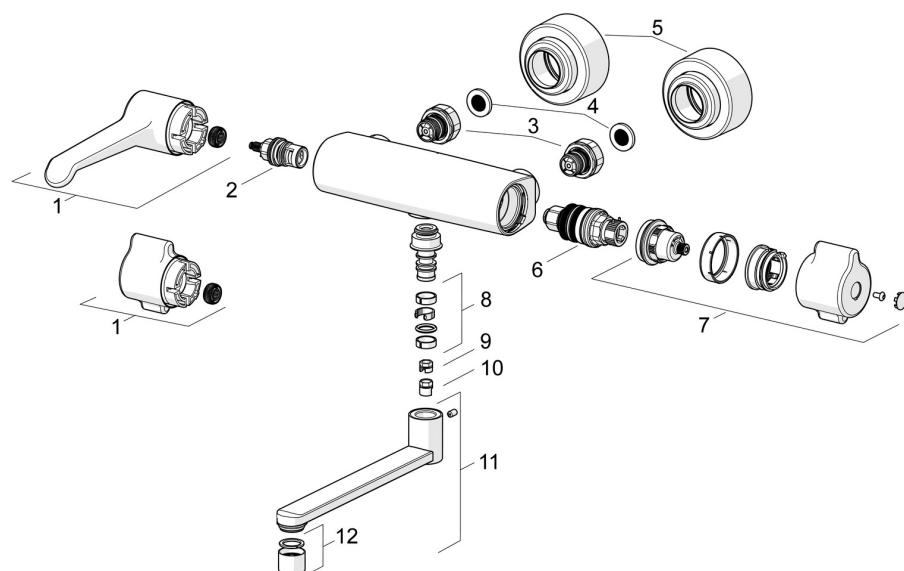
STF certificate **EUFI29-21002857-TH**  
 Declaration of conformity **DoC**  
 EPD **S-P-06391**

### Sustainability

EPD module A1 (kg CO2 eq.) **12,86**  
 EPD module A2 (kg CO2 eq.) **0,62**  
 EPD module A3 (kg CO2 eq.) **1,22**  
 EPD module A1-A3 (kg CO2 eq.) **14,70**  
 EPD module A4 (kg CO2 eq.) **0,41**  
 EPD module B7 (kg CO2 eq.) **3522,60**  
 EPD module C2 (kg CO2 eq.) **0,03**  
 EPD module C3 (kg CO2 eq.) **0,03**  
 EPD module C4 (kg CO2 eq.) **0,11**  
 EPD module D (kg CO2 eq.) **-10,45**



## Spare parts



### SP5663

	Name	Code
01	Flow control handle, L=150 mm	1004311V
01	Flow control handle	1006423V
02	Headpart	109898
03	Combiner	602438/2
04	Filter sealing, G3/4, DN20	178375V
05	Cover flange	1006473V
06	Thermostatic cartridge	178780V
07	Temperature control handle	1006058V
08	Sealing kit for spout	602707V
09	Limiter, 120°	602499V
10	Spout overturning stopper, 60°/0°	159667V
11	Spout, L=200	290017
12	Aerator, M22x1 STD PL HC A Laminar	1003610V