



CIRCUIT BREAKER 230/400V 6KA, 1POLE, C, 4A

Similar to image

Technical data:

Current / for AC / rated value	A	4
Tripping characteristic class		C
type of voltage		AC/DC
Supply voltage		
• for AC / rated value	V	400
• with single-phase operation / with AC / rated value	V	230
• with multi-phase operation / with AC / rated value	V	400
Operating voltage		
• minimum	V	24
• with single-phase operation / with AC / maximum	V	250
• with multi-phase operation / with AC / maximum	V	440
• for DC / rated value / maximum	V	60
Supply voltage frequency / rated value	Hz	50
Number of poles		1
Number of poles /note		1P
Switching capacity current		
• in accordance with IEC 60947-2 / rated value	kA	6
• acc. to EN 60898 / rated value	kA	6

Number of pitch units for width		1
Product extension / can be installed / supplementary device		Yes
Product feature / sealable		Yes
Built in orientation		any
Protection class IP		IP20, with connected conductors
Degree of pollution		2
Ambient temperature		
• minimum	°C	-25
• maximum	°C	45
Influence of the surrounding temperature		Periodically +55°C, max. 95% humidity
Ambient temperature / during storage		
• minimum	°C	-40
• maximum	°C	75
Mechanical operating cycles as operating time / typical		20,000
Product equipment / touch-protection		Yes
Insulation voltage		
• with single-phase operation / with AC / rated value	V	440
• with multi-phase operation / with AC / rated value	V	440
Section de conducteur raccordable		
• solid		
• minimum	mm ²	0.75
• maximum	mm ²	35
• multibrin		
• minimum	mm ²	0.75
• maximum	mm ²	35
• finely stranded / with wire end processing		
• minimum	mm ²	0.75
• maximum	mm ²	25
Tightening torque / with screw-type terminals		
• minimum	N·m	2.5
• maximum	N·m	3
Product feature		
• [not supplied - silicon-free]		Yes
• halogen-free		Yes
Number of test cycles / for environmental testing / in accordance with IEC 60068-2-30		6

Certificates/approvals:

General Product Approval		Declaration of Conformity	other
CEBEC	ROSTEST	Manufacturer	other
			

Further information:

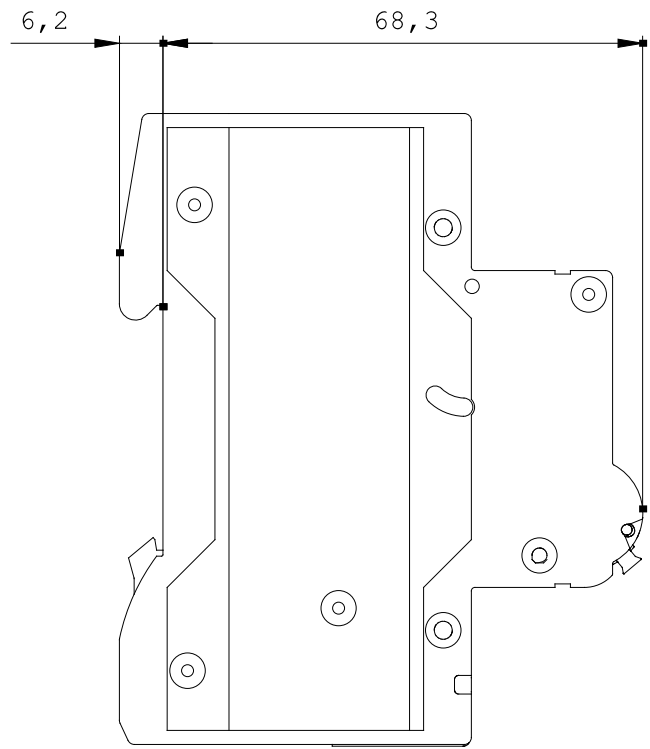
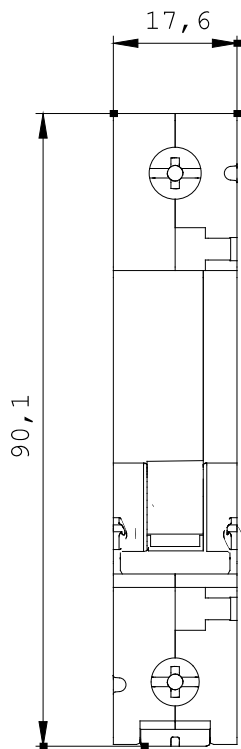
Information- and Downloadcenter (Catalogs, Brochures,...)
<http://www.siemens.com/lowvoltage/catalogs>

Industry Mall (Online ordering system)
<http://www.siemens.com/lowvoltage/mall>

Service&Support (Manuals, Certificates, Characteristics, FAQs,...)
<http://support.automation.siemens.com/WW/view/en/5SL6104-7/all>

Image database (product images, 2D dimension drawings, 3D models, device circuit diagrams, ...)
http://www.automation.siemens.com/bilddb/cax_en.aspx?mlfb=5SL6104-7

CAX-Online-Generator
<http://www.siemens.com/cax>



last change:

Dec 10, 2011