

Touchless washbasin faucet for cold or pre-mixed water. Battery-operated 3 V. Spout length 225 mm. Laminar flow. The faucet is equipped with litter filter, non-return valve, shut-off valve and with G1/2" external connection thread.

- Public & Semi-public
- Touchless, Battery-operated, Bluetooth®
- Wall mounted
- Chrome
- Fixed spout, Casted construction
- PCA® - constant flow rate regardless of pressure variations, Laminar stream, Protection against burglary
- Non-return valve(s), Litter filter(s)
- Autofocus infrared sensor, Solenoid valve, Low battery indicator
- One inlet for cold or premixed water, External thread, with integrated shut-off valve(s)
- Software settings adjustable via App

Technical data

Flow properties

Flow-rate at 300 kPa (with flow controller)	0.1 l/s
Pressure loss with flow (0.1 l/s)	200 kPa

Technical properties

Hot water supply	max. +70°C
Working pressure	100 - 1000 kPa
Connection size	G1/2
Projection	225 mm
Material	Brass

Software settings

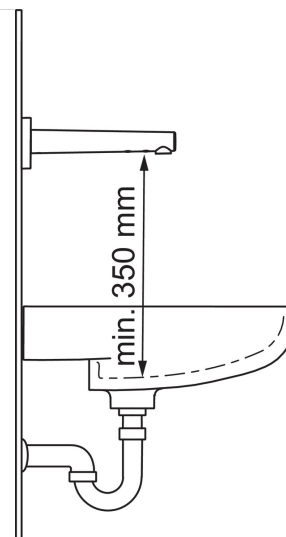
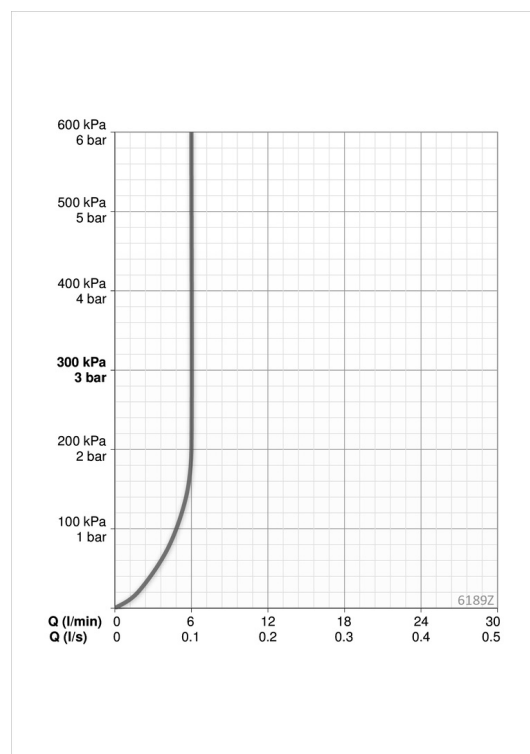
Afterflow period	3 s (1-20 s)
Automatic flush	off (off/1-120 h)
Automatic flush period	30 s (1-1800 s)
Max. flow period	2 min (1 - 1800 s)

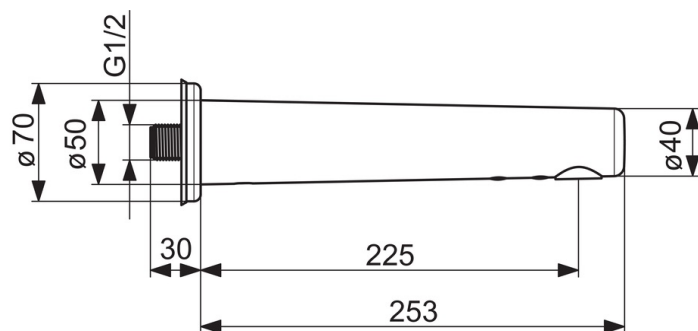
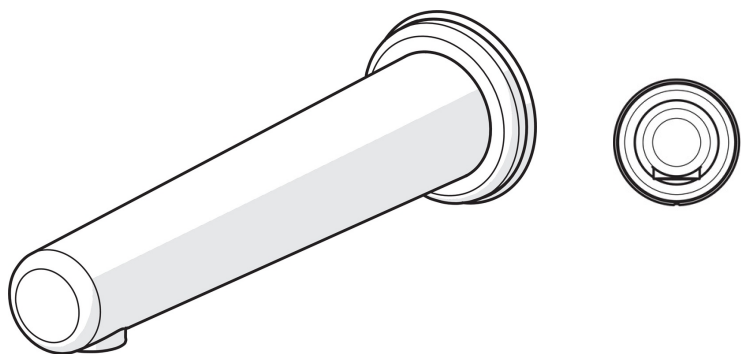
Electronic properties

Battery	AA 1.5 V Lithium x 2
Bluetooth version	4.x

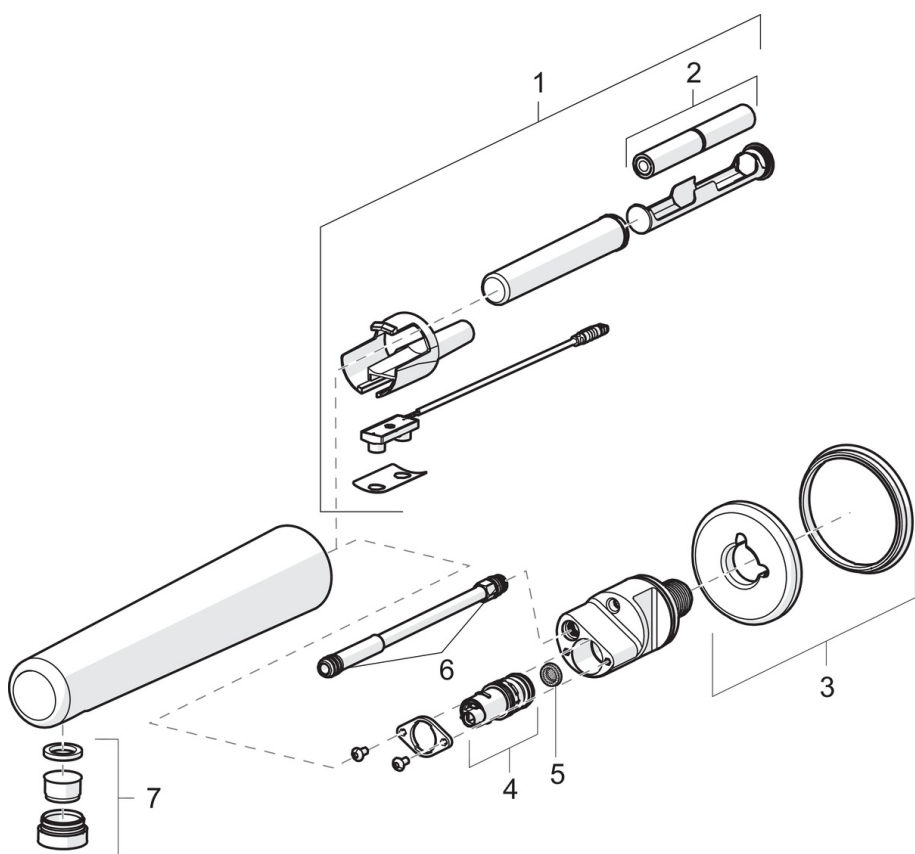
Regulations

EMC Directive	C E 2014/53/EU
EN standard	EN 15091
Noise class	I (ISO 3822) Oras lab.
Protection class	IP 55





Spare parts



SP6188

	Name	Code
01	Sensor, 3 V	602395V
01	Sensor, 3 V Bluetooth (2020-)	1000689V
02	Battery, 1,5 V AA Lithium	600599V
03	Cover sleeve	602399V
04	Solenoid valve, 3 V	602388V
05	Litter filter	602396V
06	O-ring, 8.1x1.6	158170/10
07	Aerator and key, M24x1, 6 l/min	602518V