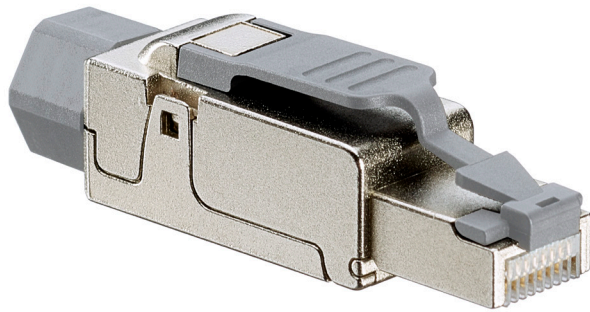


Cat 6A Universal Tool-Free Plug

APPLICATION

The Cat 6A Universal Tool-Free Plug supports 10GBASE-T networks. The universal connector provides superior alien crosstalk (AXT) suppression and protects critical data from potential EMI/RFI (electromagnetic interference/radio frequency interference). The plug is ideal for government, healthcare, manufacturing, transportation, gaming, and other environments where EMI/RFI and/or security may be a concern. The plug is especially useful for connecting directly to Ethernet devices in fixed locations.



SPECIFICATION

The universal plug shall meet or exceed all requirements for Category 6A as described in ANSI/TIA-568-C.2, as well as Class E_A requirements as described in ISO/IEC 11801. The plug shall comply with all National Electrical Codes, be compliant with ANSI/TIA-1096-A, and be UL listed. The plug shall be encased in a die-cast housing to protect it from potential EMI/RFI. The plug shall not require a specialized termination tool. The plug wiring shall accommodate T568 A/B wiring schemes. The plug shall accommodate 26-22 AWG solid or stranded conductors, and shall support Power over Ethernet up to 100 watts.

COUNTRY OF ORIGIN

Taiwan

FEATURES

- Offers easy field termination without special tools
- Robust die-cast housing provides durability and shielding benefits
- Shielding provides EMI/RFI protection, signal isolation, and excellent alien crosstalk (AXT) suppression
- Terminates from 26- to 22-gauge solid or stranded conductors for use on various cable types
- 360° shield housing provides secure data transmission
- Long release latch ensures easy insertion and removal in confined spaces

DESIGN CONSIDERATIONS

- Suitable for use with Cat 6A and lower shielded and unshielded cable
- Terminate to horizontal cable when connecting to Ethernet devices placed in fixed locations
- Verify that the plug housing will fit into the available opening for the application. For extremely tight openings, consider using an Atlas-X1 connector with a patch cord
- After installation, test the connector-plug link using the method for a Modular Plug Terminated Link, as described in ANSI/TIA-568.2-D

STANDARDS COMPLIANCE

- ANSI/TIA-568.2-D (Cat 6A)
- ISO/IEC 11801 Class E_A
- cULus Listed
- RoHS 2
- IEC 60603-7
- IEC 60512-5-2
- IEC 60512-99-001
- IEC 60512-9-3
- ANSI/TIA-1096-A
- (formerly FCC Part 68)
- IEEE 802.3at (Type 1)
- PoE up to 15.4 watts
- IEEE 802.3at (Type 2)
- PoE+ up to 30 watts
- IEEE Draft 802.3bt (Type 3)
- PoE+ up to 60 watts
- IEEE Draft 802.3bt (Type 4)
- PoE+ up to 100 watts
- Cisco Universal Power Over Ethernet (UPOE)
- up to 60 watts
- Power over HDBaseT™ (POH) up to 100 watts

PHYSICAL SPECIFICATIONS

Dimensions: See page 2
Conductor Size: 26-22 AWG (solid or stranded)
Cable Diameter: 0.24-0.31 inches (6.0 mm-8.0 mm)
Storage Temp: -40°C to +70°C
Operating Temp: -10°C to +60°C
Materials: Connector body: Die-cast zinc
Latch and nut: Nylon 94-V0

Leviton Network Solutions

2222 - 222nd St. SE
Bothell, WA 98021-4416

tel 1-800-824-3005
tel +1-425-486-2222
appeng@leviton.com
www.leviton.com

Asia / Pacific

T +1.631.812.6228
E infoasean@leviton.com

Europe

T +44.0.1592.772124
E customerservice@brand-rex.com

Canada

T +1.514.954.1840
E pcservice@leviton.com

India / SAARC

T +971.4.886.4722
E infoindia@leviton.com

Caribbean

T +1.954.593.1896
E infocaribbean@leviton.com

Mexico

T +52.55.5082.1040
E lsamarketing@leviton.com

China

T +852.2774.9876
E infochina@leviton.com

Middle East & Africa

T +971.4.886.4722
E lmeinfo@leviton.com

Colombia

T +57.1.743.6045
E infocolombia@leviton.com

South Korea

T +82.2.3273.9963
E infokorea@leviton.com

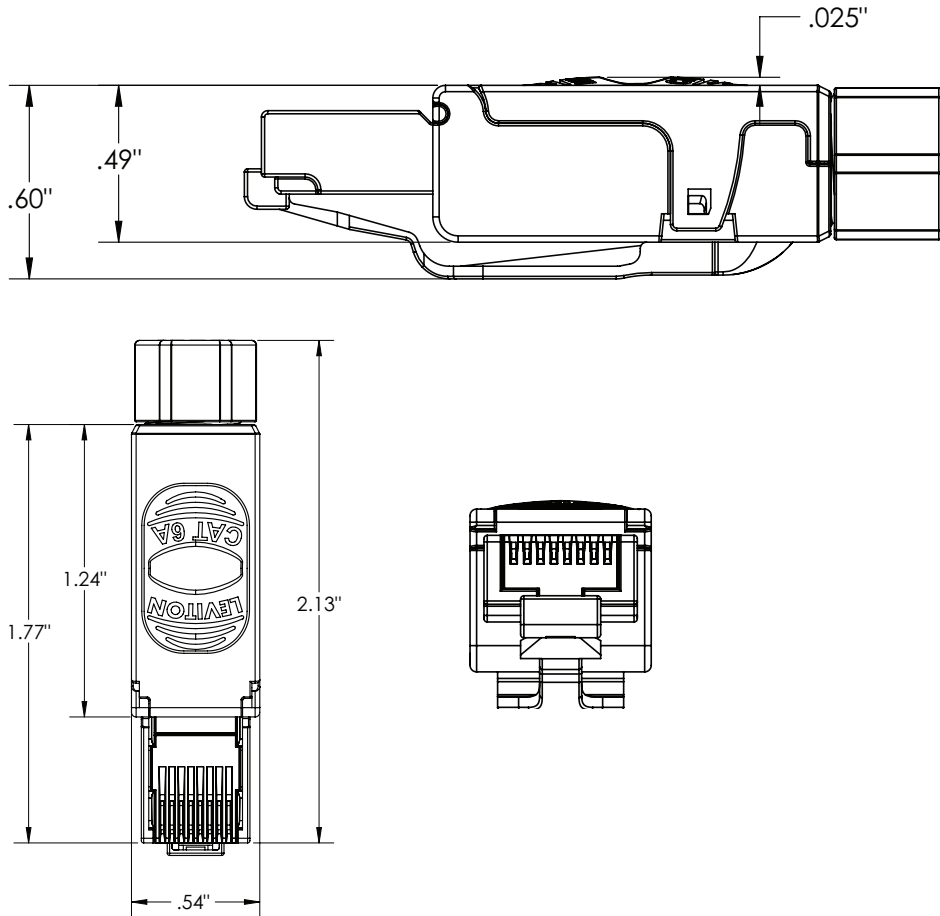
WARRANTY INFORMATION

Limited Product and Limited Extended Warranties are rendered VOID if the installed structured cabling system is used for PoE applications that exceed the product's specified power rating. For a copy of Leviton product warranties, visit www.leviton.com/warranty.

ELECTRONIC FILES

For CAD files, typical specs, or technical drawings (.DXF, .DWG), visit www.leviton.com.

6APLG-S6A



PART NUMBERS

Description	Part No.
Cat 6A Universal Tool-Free Plug	6APLG-S6A



Leviton Network Solutions 2222 - 222nd St. SE Bothell, WA 98021-4416 tel 1-800-824-3005 tel +1-425-486-2222 appeng@leviton.com www.leviton.com	Asia / Pacific T +1.631.812.6228 E infoasean@leviton.com	Canada T +1.514.954.1840 E pcservice@leviton.com	Caribbean T +1.954.593.1896 E infocaribbean@leviton.com	China T +852.2774.9876 E infochina@leviton.com	Colombia T +57.1.743.6045 E infocolombia@leviton.com
	Europe T +44.0.1592.772124 E customerservice@brand-rex.com	India / SAARC T +971.4.886.4722 E infoindia@leviton.com	Mexico T +52.55.5082.1040 E isamarketing@leviton.com	Middle East & Africa T +971.4.886.4722 E lmeinfo@leviton.com	South Korea T +82.2.3273.9963 E infokorea@leviton.com