

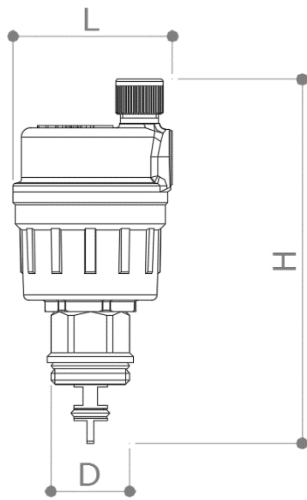


DESCRIPTION

696/97

Automatic air vent with non-return stop valve.

DIMENSIONS



D	3/8"	1/2"
H	95	95
L	43	43
Weight [g]	190	200

Dimensions in **mm**
All threads are conform to ISO 7 or ISO 228 standards

MATERIALS

Body air vent	CW617N (UNI EN 12165) CuZn39Pb3
Body non-return valve	CW614N (UNI EN 12164) CuZn39Pb3
Cover	CW617N (UNI EN 12165) CuZn39Pb3
Stem	POM
Float	PP
Springs	Stainless steel AISI 304
O-Rings	NBR
Cap	PP
Shutter air vent	POM + WMQ
Seal	NBR
Shutter non-return	CW614N (UNI EN 12164) CuZn39Pb3

RECOMMENDED WORKING PRESSURE / TEMPERATURE LIMITS

10 bar – 115°C – non shock

APPLICAZIONI

Radiators

Underfloor heating

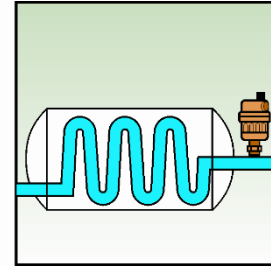
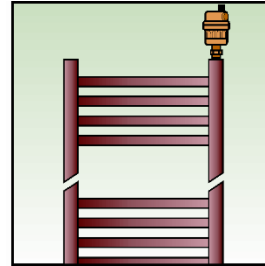
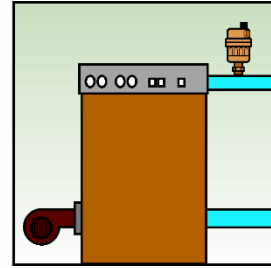
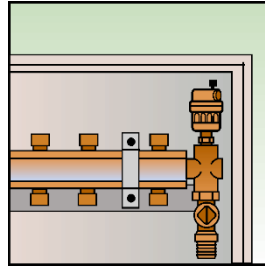
Manifolds

Boilers

Air/water separators

Water pipes

Heaters



With the non-return stop valve of the product **696/97**, the air vent can be taken apart (to its maintenance and substitution) keeping the system filled