

**STRIPAX PLUS 2.5****Weidmüller Interface GmbH & Co. KG**

Klingenbergstraße 26

D-32758 Detmold

Germany

www.weidmueller.com



Cutting, stripping and crimping tools for connected wire-end ferrules strips

- Cutting
- Stripping
- Crimping
- Automatic feeding of wire end ferrules
- Ratchet guarantees precise crimping
- Release option in the event of incorrect operation
- Efficient: only one tool needed for cable work, and thus significant time saved
- Only strips of linked wire end ferrules, each containing 50 pieces, from Weidmüller may be processed. The use of wire end ferrules on reels may lead to destructon.

**General ordering data**

Version	Cutting, stripping and crimping tool, Crimping tool for wire-end ferrules, 0.5mm <sup>2</sup> , 2.5mm <sup>2</sup> , Trapezoidal crimp
Order No.	<a href="#">9020000000</a>
Type	STRIPAX PLUS 2.5
GTIN (EAN)	4008190067267
Qty.	1 items

**STRIPAX PLUS 2.5**

**Weidmüller Interface GmbH & Co. KG**  
 Klingenbergstraße 26  
 D-32758 Detmold  
 Germany

www.weidmueller.com

**Technical data**

**Dimensions and weights**

Width	210 mm	Width (inches)	8.2677 inch
Net weight	248.63 g		

**Environmental Product Compliance**

RoHS Compliance Status	Not affected
REACH SVHC	Lead 7439-92-1
SCIP	2159813b-98fd-4068-b62a-bc89a046c012

**Technical data**

Description of article	(1)Crimping tool	Version	Mechanical, without interchangeable inserts
------------------------	------------------	---------	---

**Description of contact**

Type of contact	Strips of linked wire-end ferrules	Conductor cross-section, max. AWG	AWG 14
Conductor cross-section, min. AWG	AWG 20	Crimping range, max.	2.5 mm <sup>2</sup>
Crimping range, min.	0.5 mm <sup>2</sup>		

**tool data crimping**

Wire end ferrules cross-section, max.	2.5 mm <sup>2</sup>	Wire end ferrules cross-section, min.	0.5 mm <sup>2</sup>
Crimping type/profile	Trapezoidal crimp		

**Classifications**

ETIM 6.0	EC002109	ETIM 7.0	EC002109
ETIM 8.0	EC002109	ETIM 9.0	EC002109
ETIM 10.0	EC002109	ECLASS 9.0	21-04-37-06
ECLASS 9.1	21-04-37-06	ECLASS 10.0	21-04-37-06
ECLASS 11.0	21-04-37-06	ECLASS 12.0	21-04-37-06
ECLASS 13.0	21-04-37-06	ECLASS 14.0	21-04-37-06
ECLASS 15.0	21-04-37-06		

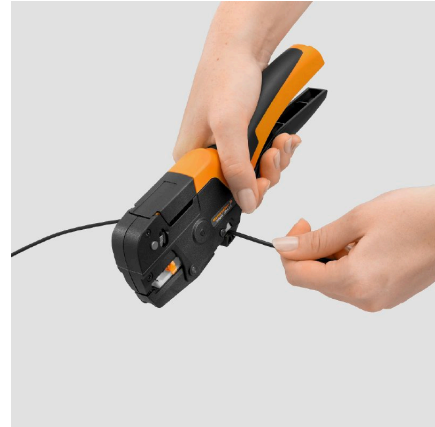
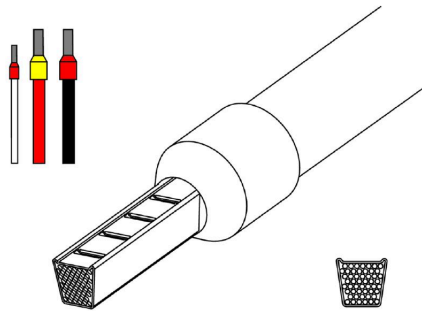
**STRIPAX PLUS 2.5**

**Weidmüller Interface GmbH & Co. KG**  
Klingenbergstraße 26  
D-32758 Detmold  
Germany

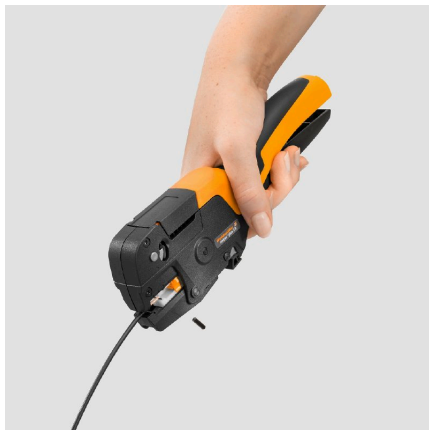
[www.weidmueller.com](http://www.weidmueller.com)

**Drawings**

**Example of use**



**Example of use**



**Example of use**

