

B.E.G.**LUXOMAT®**

PD2-S-FC

Prod.No. 92166 EAN: 4007529921669

- Voltage: 110 – 240 V AC 50 / 60 Hz
- Dimensions: FC= Ø 80 x 85 mm
- Power consumption: approx. 0.2 W

Order data

Designation	Colour	Art.No
PD2-S-FC	white	92166

Accessories

Designation	Colour	Art.No
BLE-IR-Adapter	black	93067
Wire basket BSK (Ø 200 x 90 mm)	white	92199

Technical data

Voltage:	110 – 240 V AC 50 / 60 Hz
Dimensions:	FC= Ø 80 x 85 mm
Power consumption:	approx. 0.2 W
Detection area:	horizontal 360° (Ceiling mounting) max. Ø 10 m across
Range:	max. Ø 6 m towards max. Ø 4 m seated
Monitored area (tangential movement):	78 m ² / 2.5 m mounting height
Mounting height min./max./recommended:	2 m / 5 m / 2.5 m
Degree / class of protection:	FC= IP20 / Class II
Impact strength:	IK05
Ambient temperature:	-25 °C to +50 °C
Housing:	polycarbonate, UV-resistant
Material color:	white mat, similar to RAL9010
Pulse interval:	2 or 9 sec

Product information

Slave device detector with circular detection area

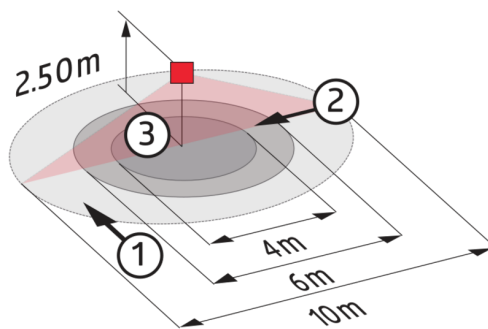
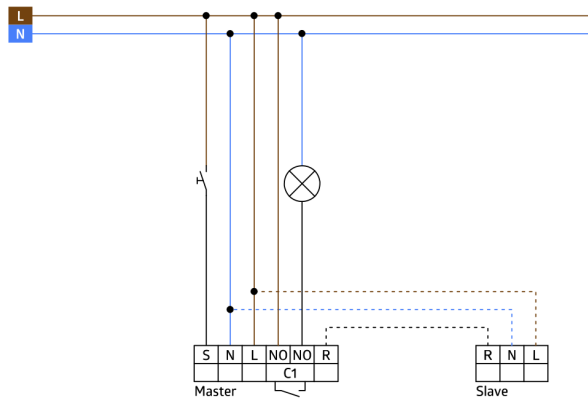
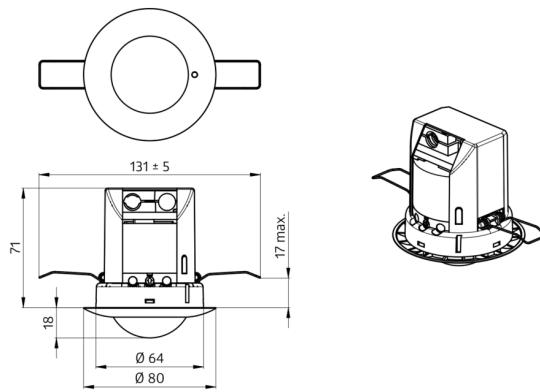
For extending the detection area of a Master device

Trigger pulse to master device upon detected movement
independent of the ambient light level

Compatible with 230 V devices. Concerning exceptions please see
the respective master device.

Application examples:

small offices, staircases, open-plan offices, conference rooms,
classrooms/seminar rooms

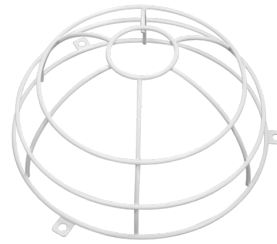


Accessories



BLE-IR-Adapter
Art.No: 93067

Dimensions: 40 x 55 x 103 mm
Material color: black
Frequency: 2.4 GHz ISM band, GFSK 0.2 dBm + 5.3 dBi = 5.5 dBm



Wire basket BSK (Ø 200 x 90 mm)
Art.No: 92199

Dimensions: Ø 200 x 90 mm
Impact strength: IK09
Housing: coated steel basket