

**B.E.G.****LUXOMAT®**

## PD4-M-DAA4G-SM

Prod.No. 92743 EAN: 4007529927432

- Voltage: 110 – 240 V AC 50 / 60 Hz
- Dimensions: SM= Ø 124 x 85 mm
- Power consumption: approx. 0.4 W

### Areas of application

- conference rooms
- classrooms/seminar rooms

### Order data

Designation	Colour	Art.No
PD4-M-DAA4G-SM	white	92743

### Accessories

Designation	Colour	Art.No
BLE-IR-Adapter	black	93067
Socket IP54 PD4-TRIO-SM	white	92386
Wire basket BSK (Ø 164 x 143 mm)	white	92467
Wire basket BSK (Ø 200 x 90 mm)	white	92199

## Technical data

Voltage:	110 – 240 V AC 50 / 60 Hz
Dimensions:	SM= Ø 124 x 85 mm
Power consumption:	approx. 0.4 W horizontal 360°
Detection area:	(Ceiling mounting) max. Ø 24 m across max. Ø 8 m towards max. Ø 6.4 m seated
Range:	
Monitored area (tangential movement):	450 m <sup>2</sup> / 2.5 m mounting height
Mounting height min./max./recommended:	2 m / 10 m / 2.5 m
Degree / class of protection:	SM= IP20 / Class II
Impact strength:	IK04
Ambient temperature:	-25 °C to +50 °C
Housing:	polycarbonate, UV-resistant
Material color:	white mat, similar to RAL9010
<b>DALI Control</b>	
DALI output:	up to 64 DALI ballasts , can be grouped into 3 DALI groups plus blackboard lighting or HVAC control
Follow-up time:	1 min – 150 min (Lighting zones)
Orientation light:	10 – 30 % / OFF / 5 min – 60 min / ∞
Brightness set value:	10 – 2000 Lux
<b>Relay (dry NO)</b>	
Switching power:	2300 W, cos φ = 1 1150 VA, cos φ = 0.5 300 W LED
Follow-up time:	5 sec – 120 min (HVAC)
Light measuring:	Mixed light measuring

## Product information

Flexible DALI Compact solution designed for conference rooms, training rooms and classrooms

High-sensitivity occupancy detector with the capability to address up to 64 DALI electronic ballasts (EB) automatically, with segmented control via 4 groups

Quick commissioning and maintenance processes via Smartphone/Tablet App (Android, iOS) - No PC-Tool required

3 lighting zones:

A for main lighting with segmented constant light regulation via 3 DALI groups and offset control,

B for lectern or blackboard lighting via separate DALI group,

C for lectern or blackboard lighting by integrated relay

Powerful switching relay for different operating modes, e.g. Cut-off function for DALI ballasts, HVAC, blackboard illumination.

Manual switching or dimming via conventional pushbuttons

Detection area can be extended with up to four Slave devices of type PD4-S-DAA4G

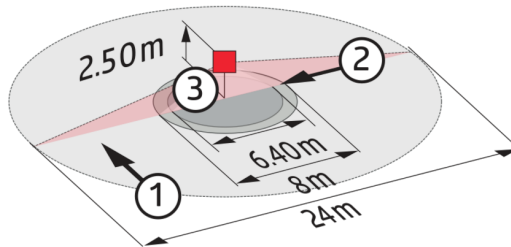
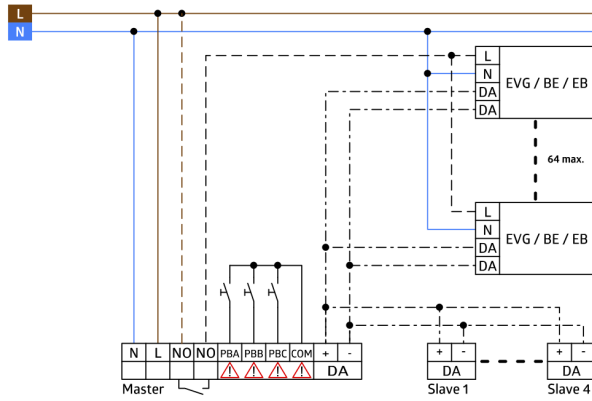
Complete range of functions can only be activated using the B.E.G. IR Adapter or the BLE-IR-Adapter and a compatible Smartphone or Tablet (Android, iOS).

External light sensor can be swivelled by 45

Avoidance of standby losses of the lighting system in accordance with EnEV DIN V 18599-4

### Application examples:

conference rooms, classrooms/seminar rooms



## Accessories



**BLE-IR-Adapter**  
Art.No: 93067

Dimensions: 40 x 55 x 103 mm  
Material color: black  
Frequency: 2.4 GHz ISM band, GFSK 0.2 dBm +  
5.3 dBi = 5.5 dBm



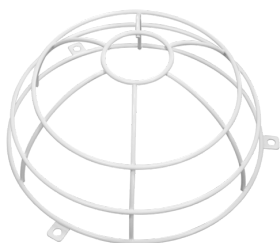
**Socket IP54 PD4-TRIO-SM**  
Art.No: 92386

Degree / class of protection: IP54  
Housing: polycarbonate, UV-  
resistant  
Material color: white



**Wire basket BSK (Ø 164 x 143 mm)**  
Art.No: 92467

Dimensions: Ø 164 x 143 mm  
Impact strength: IK09  
Housing: coated steel basket



**Wire basket BSK (Ø 200 x 90 mm)**  
Art.No: 92199

Dimensions: Ø 200 x 90 mm  
Impact strength: IK09  
Housing: coated steel basket