

**B.E.G.****LUXOMAT®**

## PD4-M-TRIO-C-3P-FC

Prod.No. 92746 EAN: 4007529927463

- Voltage: 110 – 240 V AC 50 / 60 Hz
- Dimensions: FC= Ø 117 x 100 mm
- Power consumption: approx. 0.5 W

### Areas of application

- corridors/hallways

### Order data

Designation	Colour	Art.No
PD4-M-TRIO-C-3P-FC	white	92746

### Accessories

Designation	Colour	Art.No
IR-PD-1C	-	92520
IR-PD-1C-E	-	92077
IR-PD-Mini	-	92159
Wire basket BSK (Ø 200 x 90 mm)	white	92199
Socket IP54 PD4-TRIO-SM	white	92386
BLE-IR-Adapter	black	93067

## Technical data

Voltage:	110 – 240 V AC 50 / 60 Hz
Dimensions:	FC= Ø 117 x 100 mm
Power consumption:	approx. 0.5 W
Detection area:	horizontal 360° (Ceiling mounting)
Range:	max. 40 m x 5 m across max. 20 m x 3 m towards
Monitored area (tangential movement):	250 m <sup>2</sup> / 2.5 m mounting height
Mounting height min./max./recommended:	2.4 m / 2.6 m / 2.5 m
Degree / class of protection:	FC= IP20 / Class II
Impact strength:	IK04
Ambient temperature:	-25 °C to +50 °C
Housing:	polycarbonate, UV-resistant
Material color:	white mat, similar to RAL9010
<b>Channel 1 (lighting control, potential-free (dry))</b>	
Switching power:	2300 W, cos $\varphi$ = 1 1150 VA, cos $\varphi$ = 0.5 300 W LED
Type of contact (k):	2x $\mu$ -contact, dry Contact NC with tungsten pre-make contact
Follow-up time:	15 sec – 30 min, Pulse
Switch-on threshold:	10 – 2000 Lux
Light measuring:	Mixed light measuring

## Product information

1-channel occupancy detector with two simultaneously operating relay outputs, which enable distribution to different phases

The switching channel with the two relay outputs closes when the operating voltage of the detector fails, so the lighting remains on as long as the two phases of the luminaires are supplied with power.

The device requires an operating voltage. The third phase can be used for this purpose.

Designed for corridors

Version as master device

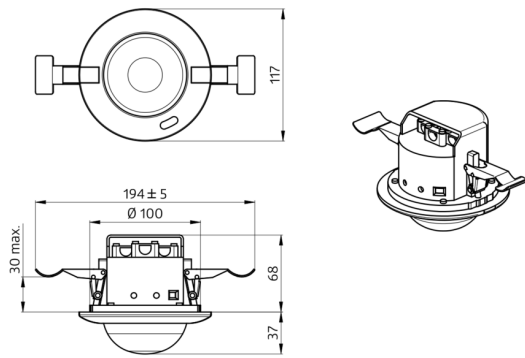
Detection area can be extended by using slave devices

Manual switching via push-button possible

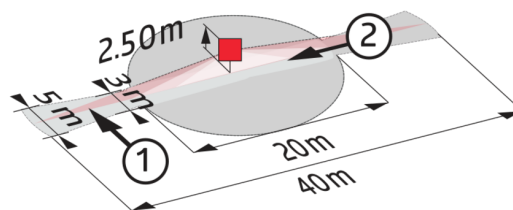
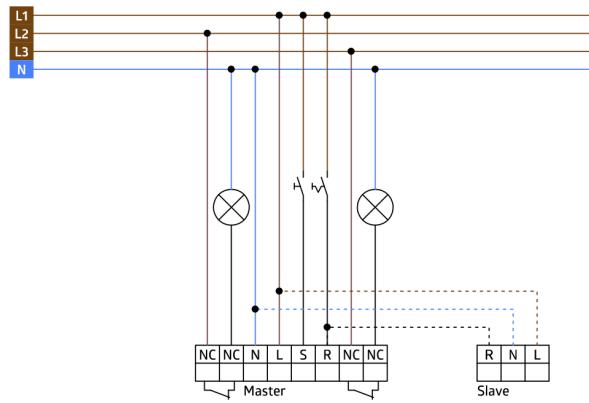
Additional functions can be set up using the optional remote control.

There are markings to ensure correct alignment during installation

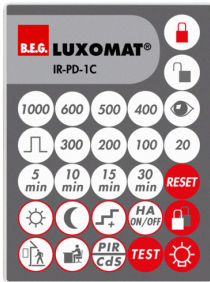
**Application examples:**  
corridors/hallways



92746 PD4-M-TRIO-K-3P-DE

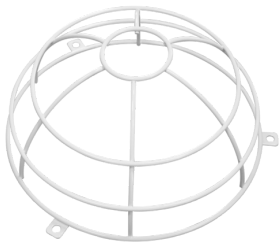


## Accessories



**IR-PD-1C**  
Art.No: 92520

Battery: 3.0 V Lithium CR2032 (inclusive)  
Dimensions: 80 x 60 x 8 mm  
Material color: -



**Wire basket BSK (Ø 200 x 90 mm)**  
Art.No: 92199

Dimensions: Ø 200 x 90 mm  
Impact strength: IK09  
Housing: coated steel basket



**IR-PD-1C-E**  
Art.No: 92077

Battery: 3.0 V Lithium CR2032 (inclusive)  
Dimensions: 80 x 60 x 8 mm  
Material color: -



**Socket IP54 PD4-TRIO-SM**  
Art.No: 92386

Degree / class of protection: IP54  
Housing: polycarbonate, UV-resistant  
Material color: white



**IR-PD-Mini**  
Art.No: 92159

Battery: 3.0 V Lithium CR2032 (inclusive)  
Dimensions: 57 x 35 x 7 mm  
Material color: -



**BLE-IR-Adapter**  
Art.No: 93067

Dimensions: 40 x 55 x 103 mm  
Material color: black  
Frequency: 2.4 GHz ISM band, GFSK 0.2 dBm + 5.3 dBi = 5.5 dBm