

**B.E.G.****LUXOMAT®**

## PD4-S-DAA4G-SM

Prod.No. 92759 EAN: 4007529927593

- Voltage: 22 V DC via DALI Bus
- Dimensions: SM= Ø 103 x 76 mm
- Detection area: horizontal 360° (Ceiling mounting)

### Order data

Designation	Colour	Art.No
PD4-S-DAA4G-SM	white	92759

### Accessories

Designation	Colour	Art.No
Wire basket BSK (Ø 200 x 90 mm)	white	92199
Wall holder PD4-SM	white	92441

## Technical data

Voltage:	22 V DC via DALI Bus
Dimensions:	SM= Ø 103 x 76 mm
Detection area:	horizontal 360° (Ceiling mounting) max. Ø 24 m across max. Ø 8 m towards seated
Range:	max. Ø 6.4 m seated
Monitored area (tangential movement):	450 m <sup>2</sup> / 2.5 m mounting height
Mounting height min./max./recommended:	2 m / 10 m / 2.5 m
Degree / class of protection:	SM= IP54 / Class II
Impact strength:	IK04
Ambient temperature:	-25 °C to +50 °C
Housing:	polycarbonate, UV-resistant
Material color:	white mat, similar to RAL9010
up to 4 slave devices in combination with one PD4-M-DAA4G	
Pulse interval:	30 sec (in test mode 2 sec during 3 min)

## Product information

DALI bus operated slave device

For extension of the detection area of a master device PD4-M-DAA4G / PD4-M-HCL

Trigger pulse to master device upon detected movement independent of the ambient light level

Automatic test mode via master device

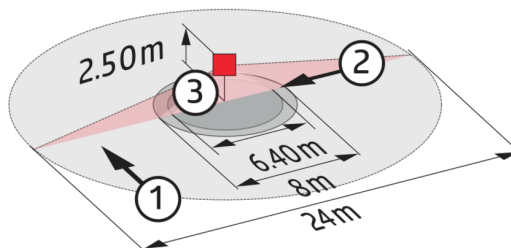
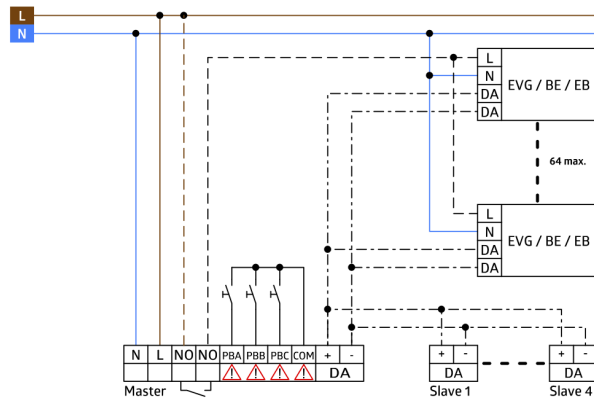
Plug & Play – no parameterisation required

Easy to mount

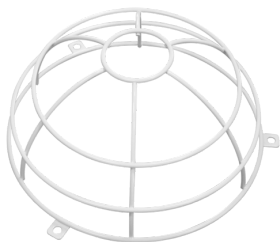
False ceiling or surface mount version available

### Application examples:

conference rooms, classrooms/seminar rooms



## Accessories



**Wire basket BSK (Ø 200 x 90 mm)**  
Art.No: 92199

Dimensions: Ø 200 x 90 mm  
Impact strength: IK09  
Housing: coated steel basket



**Wall holder PD4-SM**  
Art.No: 92441

Dimensions: 130 x 100 x 53 mm  
Housing: polycarbonate, UV-resistant  
Material color: white