

B.E.G.**LUXOMAT®net**

PD4N-BMS DALI-2

Prod.No. 93546 EAN: 4007529935468

- Voltage: via DALI Bus, max. 22.5 V DC
- Dimensions: Ø 106 x 68 mm
- Settings: via DALI-Bus and application which supports DALI multisensors according to IEC62386, parts 101, 103, 303 and 304

Order data

Designation	Colour	Art.No
PD4N-BMS DALI-2	white	93546

Accessories

Designation	Colour	Art.No
SM socle mounting set IP54 PD2N- / PD4N-FM	white	93307
SM socle mounting set IP54 PD2N- / PD4N-FM	black	93753
SM socle mounting set IP54 PD2N- / PD4N-FM	traffic white	93752
SM socle mounting set IP54 PD2N- / PD4N-FM	anthracite	93751
SM socle mounting set IP65 PD4N	white	93314
lens PD4N, Cover ring	anthracite	93731
lens PD4N, Cover ring	black	93733
lens PD4N, Cover ring	traffic white	93732
Corridor lens PD4N type A, Cover ring	traffic white	93742
Corridor lens PD4N type A, Cover ring	anthracite	93741

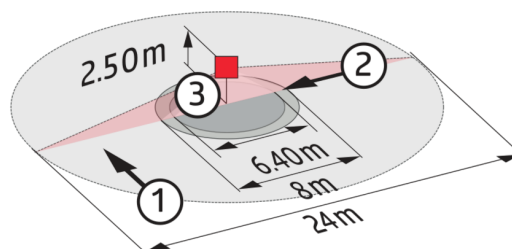
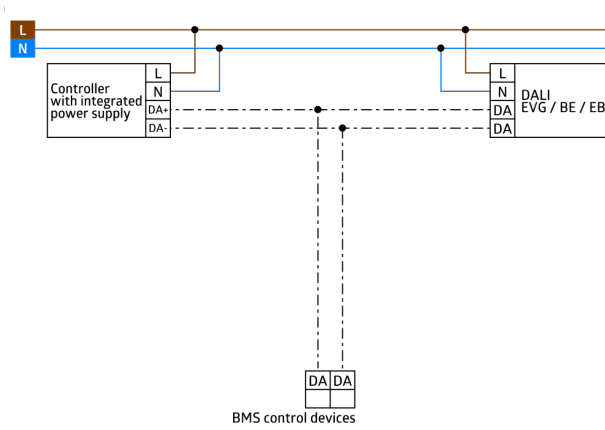
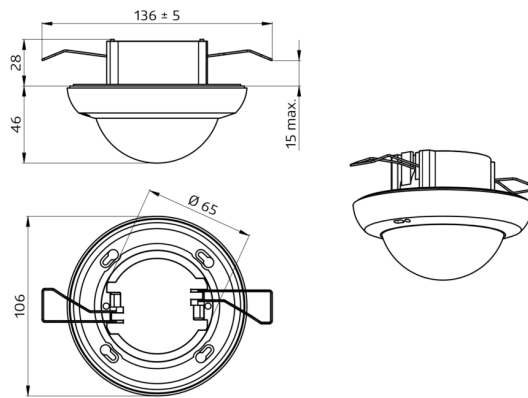
Corridor lens PD4N type A, Cover ring	black	93743
Corridor lens PD4N type A	white	93073
Wire basket BSK (Ø 200 x 90 mm)	white	92199

Technical data

Voltage:	via DALI Bus, max. 22.5 V DC
Dimensions:	Ø 106 x 68 mm via DALI-Bus and application which supports DALI
Settings:	multisensors according to IEC62386, parts 101, 103, 303 and 304
Typ. power input:	7 mA
Detection area:	horizontal 360° (Ceiling mounting) max. Ø 24 m across max. Ø 8 m towards max. Ø 6.4 m seated
Range:	
Monitored area (tangential movement):	450 m ² / 2.5 m mounting height
Mounting height min./max./recommended:	2 m / 10 m / 2.5 m
Degree / class of protection:	IP20 / Class II
Impact strength:	IK04
Measured light output:	0 - 4095 Lux, Mixed light measuring
Ambient temperature:	-25 °C to +55 °C
Housing:	polycarbonate, UV-resistant
Material color:	white mat, similar to RAL9010

Product information

Long-range DALI-2 multisensor (input device)
DALI-2 certified product
Powered via DALI bus
Bright LED indication for commissioning
DALI multimaster technology according to IEC 62386 part 103
Instance 0 provides information regarding occupancy and movement for the DALI-Bus according to IEC 62386 part 303
Instance 1 provides LUX values for the DALI-Bus according to IEC 62386 part 304
Parameterisation is possible via mandatory Multimaster-Application-Controller of any manufacturer. This controller must support IEC 62386 parts 101/103/303/304.
Mixed light measurement with internal and external light sensor
Suitable for mounting in false ceilings and flush-mounting
Accessory for surface mounting available
Detection area can be restricted with blinds
Individual adaption of detection sensitivity for each PIR sensor
Status LEDs can be activated / deactivated
Application examples: staircases, small offices, open-plan offices, conference rooms, classrooms/seminar rooms, sports halls/ storage rooms



Accessories



SM socle mounting set IP54 PD2N- / PD4N-FM

Art.No: 93307

Dimensions: Ø 109 x 19 mm
Degree / class of protection: IP54
Material color: white



SM socle mounting set IP54 PD2N- / PD4N-FM

Art.No: 93753

Dimensions: Ø 109 x 19 mm
Degree / class of protection: IP54
Housing: polycarbonate, UV-resistant



SM socle mounting set IP54 PD2N- / PD4N-FM

Art.No: 93752

Dimensions: Ø 109 x 19 mm
Degree / class of protection: IP54
Housing: polycarbonate, UV-resistant



SM socle mounting set IP54 PD2N- / PD4N-FM

Art.No: 93751

Dimensions: Ø 109 x 19 mm
Degree / class of protection: IP54
Housing: polycarbonate, UV-resistant



SM socle mounting set IP65 PD4N

Art.No: 93314

Dimensions: 133 x 133 x 69 mm
Degree / class of protection: IP65
Material color: white



lens PD4N, Cover ring

Art.No: 93731

Detection area: horizontal 360° (Ceiling mounting)
Range: max. Ø 24 m across
max. Ø 8 m towards
max. Ø 6.4 m seated
Monitored area (tangential movement): 450 m² / 2.5 m mounting height



lens PD4N, Cover ring

Art.No: 93733

Detection area: horizontal 360° (Ceiling mounting)
Range: max. Ø 24 m across
max. Ø 8 m towards
max. Ø 6.4 m seated
Monitored area (tangential movement): 450 m² / 2.5 m mounting height



lens PD4N, Cover ring

Art.No: 93732

Detection area: horizontal 360° (Ceiling mounting)
Range: max. Ø 24 m across
max. Ø 8 m towards
max. Ø 6.4 m seated
Monitored area (tangential movement): 450 m² / 2.5 m mounting height



Corridor lens PD4N type A, Cover ring

Art.No: 93742

Detection area: horizontal 360° (Ceiling mounting)
Range: max. 40 m x 5 m across
max. 20 m x 3 m towards
Monitored area (tangential movement): 250 m² / 2.5 m mounting height



Corridor lens PD4N type A, Cover ring
Art.No: 93741

Detection area: horizontal 360° (Ceiling mounting)
Range: max. 40 m x 5 m across
max. 20 m x 3 m towards
Monitored area (tangential movement): 250 m² / 2.5 m mounting height



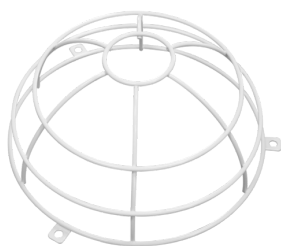
Corridor lens PD4N type A, Cover ring
Art.No: 93743

Detection area: horizontal 360° (Ceiling mounting)
Range: max. 40 m x 5 m across
max. 20 m x 3 m towards
Monitored area (tangential movement): 250 m² / 2.5 m mounting height



Corridor lens PD4N type A
Art.No: 93073

Detection area: horizontal 360° (Ceiling mounting)
Range: max. 40 m x 5 m across
max. 20 m x 3 m towards
Monitored area (tangential movement): 250 m² / 2.5 m mounting height



Wire basket BSK (Ø 200 x 90 mm)
Art.No: 92199

Dimensions: Ø 200 x 90 mm
Impact strength: IK09
Housing: coated steel basket