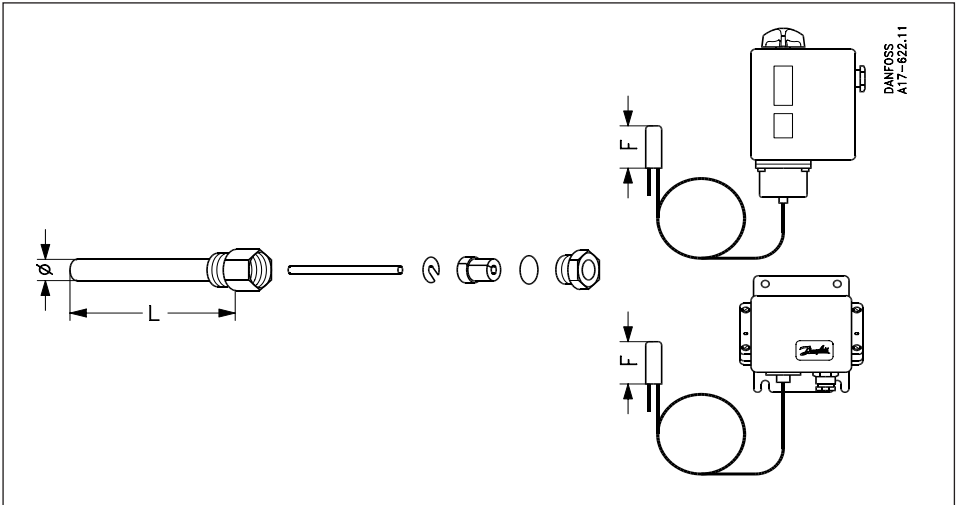


Installation guide

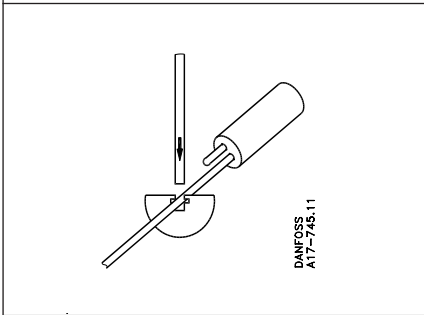
Sensor pocket

Types KPS, CAS, RT

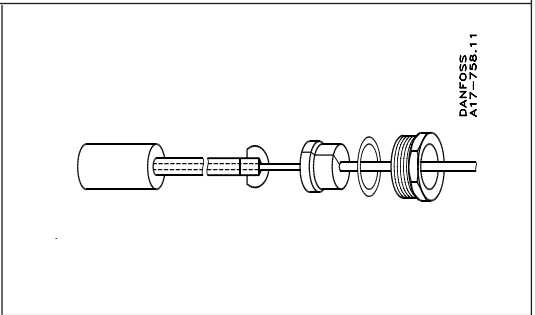
060R9307



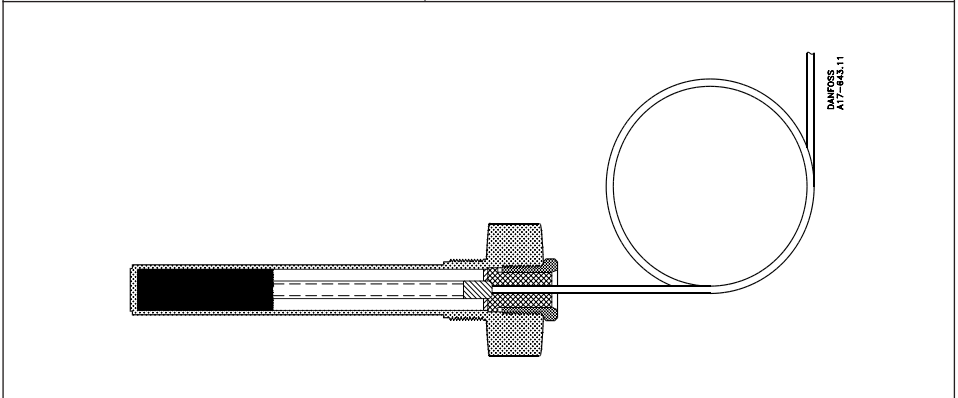
060R9307



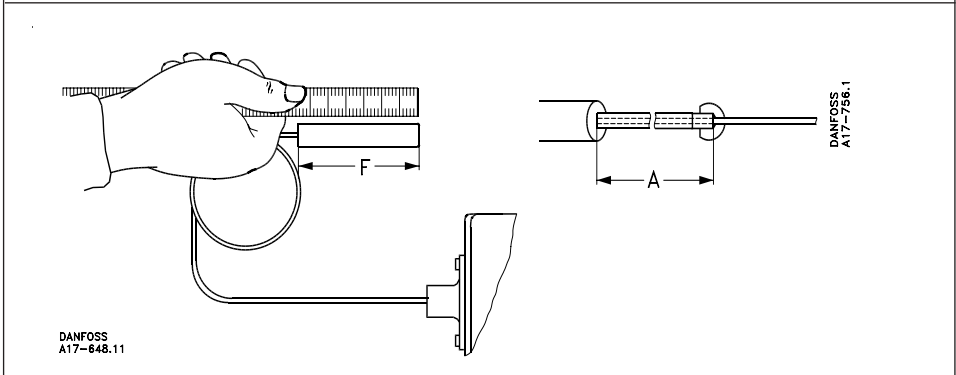
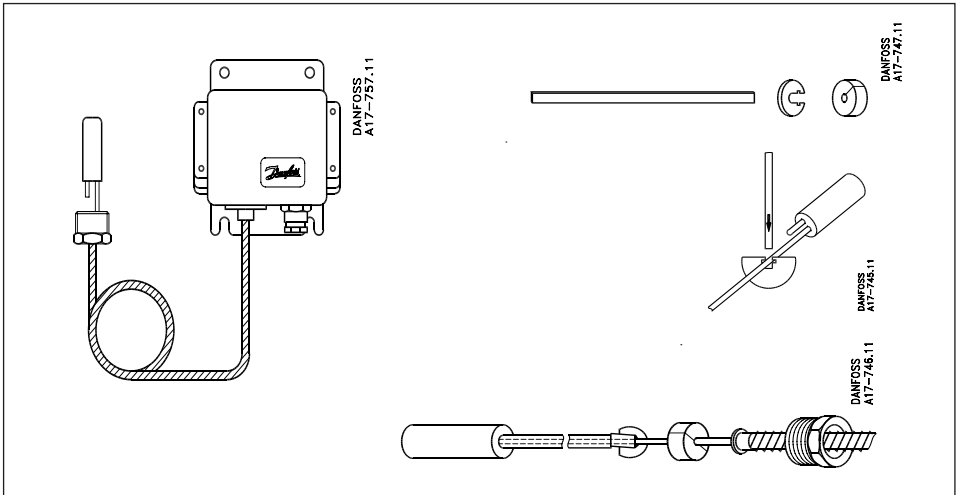
DANFOSS
A17-745.11



DANFOSS
A17-736.11



DANFOSS
A17-843.11



	L=65	L=75	L=110	L=160
F=47,5				
F=75	X	X		
F=85	X	X		