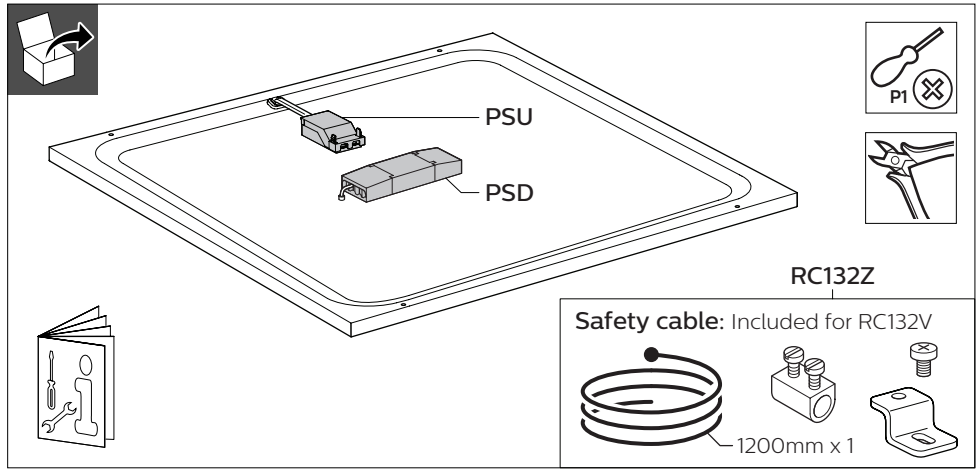


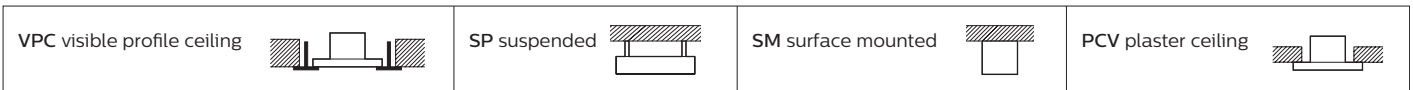
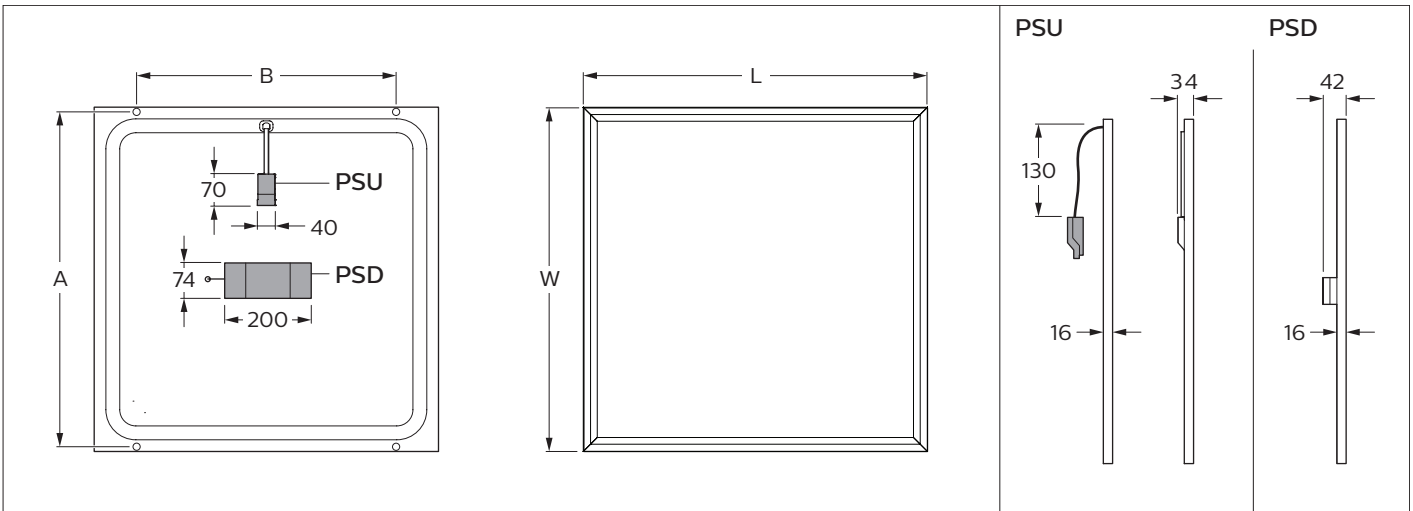
PHILIPS

CoreLine Panel

RC132V/RC133V



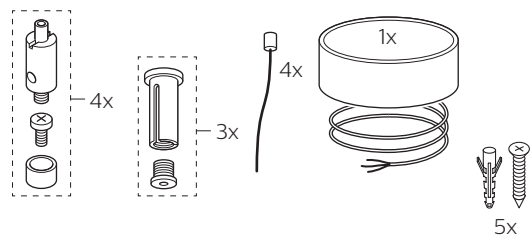
	Lumen (lm)		Power (W)		W x L (mm)	A x B (mm)	Weight (kg)	
	4000K	3000K	PSU	PSD			PSU	PSD
RC132V W30L60	1800	-	16	-	297 x 597	281 x 450	1.5	-
RC132V W60L60					597 x 597	581 x 450	2.7	2.8
RC132V W30L120	3600	3400	33	35	297 x 1197	281 x 1050	2.7	2.8
RC133V W62L62					622 x 622	606 x 475	2.8	2.9



Optional:

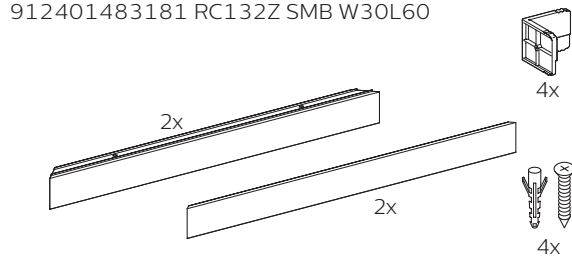
Suspension kit:

912401483179 RC132Z SME-3 WH
912401483180 RC132Z SME-4 WH



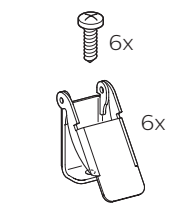
Surface mounted kit:

910930031018 RC125Z SMB W60L60
910930031118 RC126Z SMB W62L62
910930031218 RC125Z SMB W30L120
912401483181 RC132Z SMB W30L60



Plaster kit:

910930031318
RC125Z SMB-PLC



PSU

8-10 15-20
2 x 0.75-1.5 mm²
Ø 7-9 mm

1a

PSD

Ø 6-9 mm
2 x 0.50-1.5 mm²
20 9
220-240V
Ø 6-9 mm
2 x 0.75-2.5 mm²

1b

PSD Touch & Dim

1c

VPC Visible Profile Ceiling

2

Safety cable

0.5Nm
0.5Nm

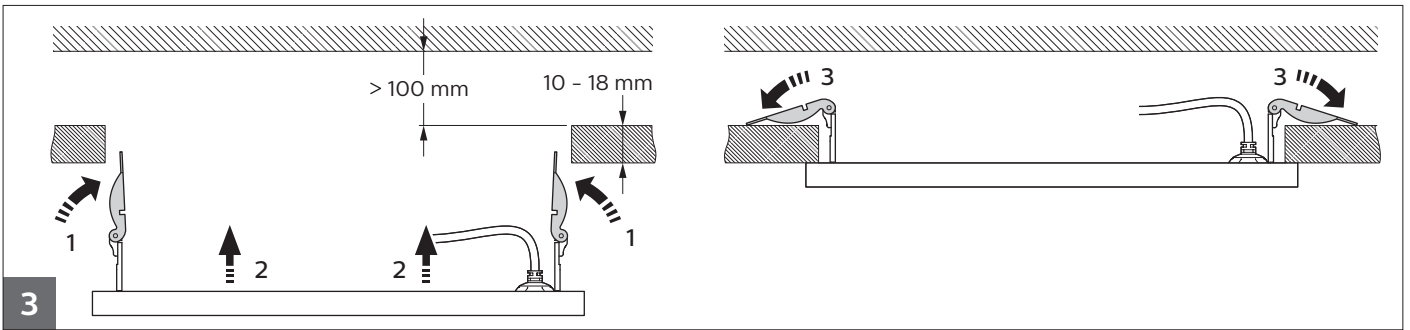
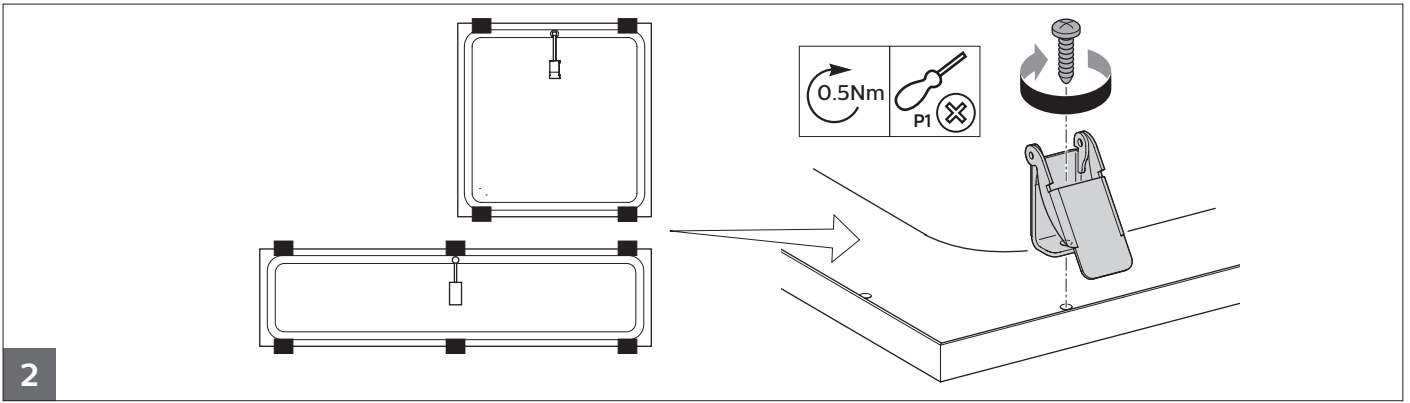
3

PCV plaster ceiling version

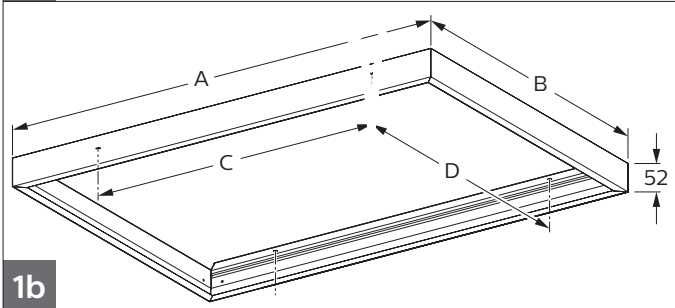
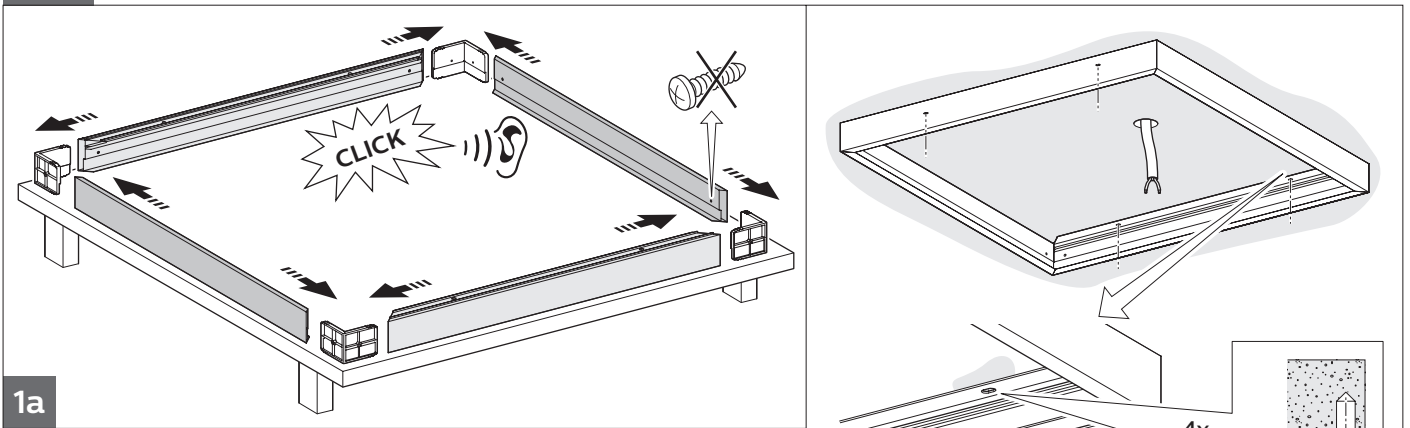
	A (mm)	B (mm)
RC W60L60	570	570
RC W62L62	590	590
RC W30L120	1100	270
RC W30L60	570	270

1

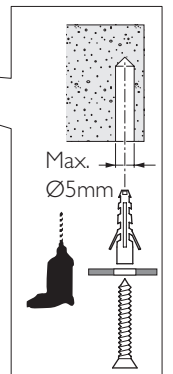
! Solid wood if necessary



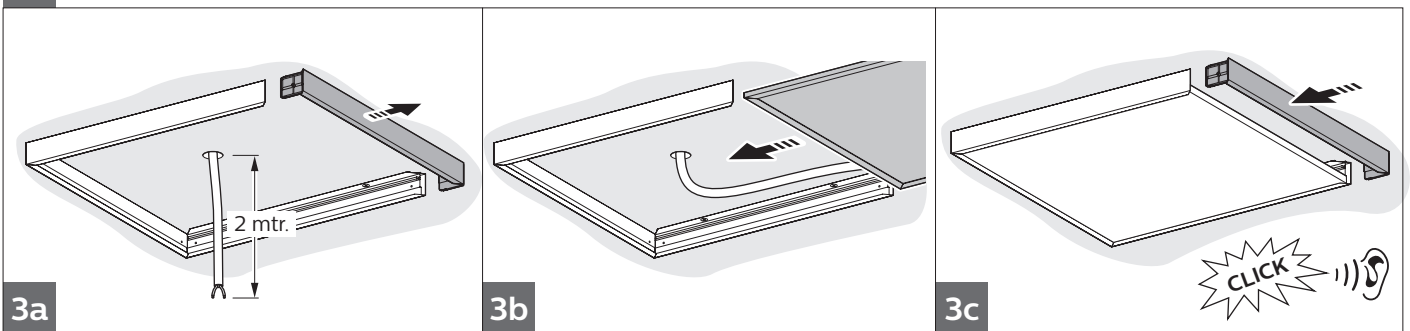
Surface mounted



	A	B	C	D
W60L60	612	612	332	576.5
W62L62	637	637	327	601.5
W30L120	1212	312	632.0	276.5
W30L60	612	312	332	276.5



2 Electrical connections. See relevant installation instruction.

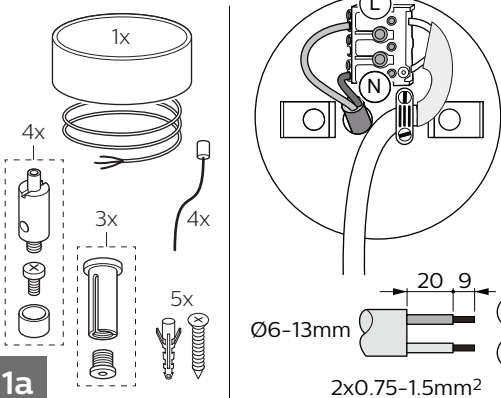
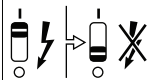




Suspension kit

PSU

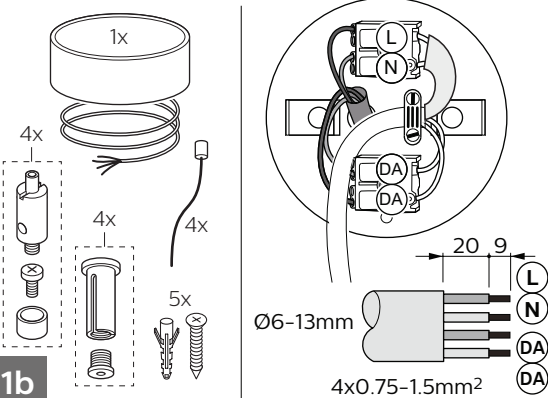
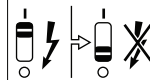
912401483179
RC132Z SME-3 WH



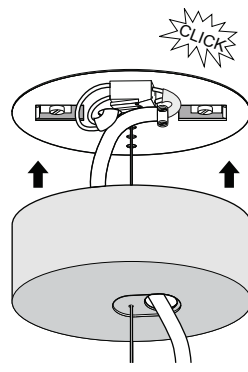
1a

PSD

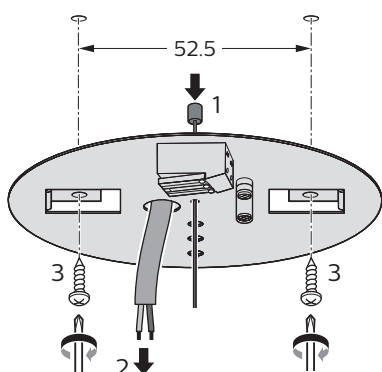
912401483180
RC132Z SME-4 WH



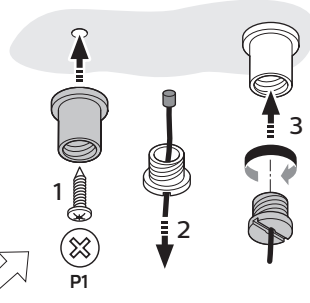
1b



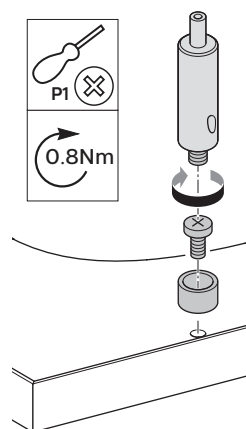
2



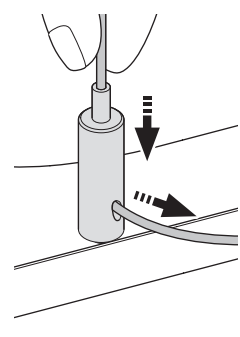
3



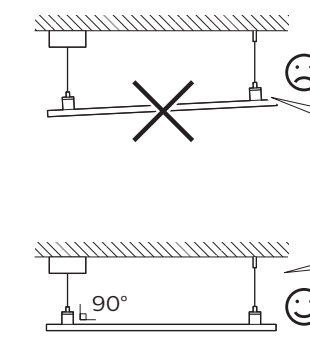
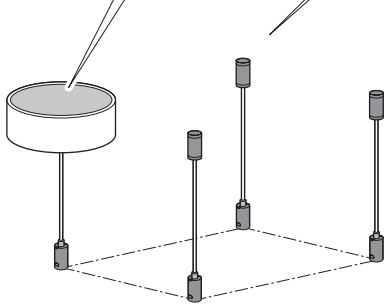
4



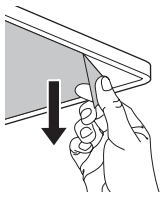
5



6

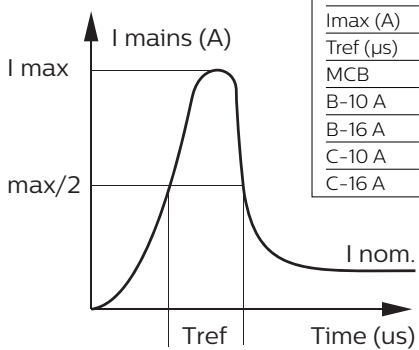


7



8

Inrush current



	PSD		PSU	
	35W	16W	33W	
Electrical characteristics				
I _{max} (A)	20.4	4	6	
T _{ref} (µs)	195	300	300	
MCB	No. of driver max.			
B-10 A	15	30	15	
B-16 A	24	48	24	
C-10 A	25	50	25	
C-16 A	40	80	40	



- The luminaire shall be installed by a qualified electrician and wired in accordance with the latest IEE electrical regulations or the national requirements.
- The light source of this luminaire is not replaceable; when the light source reached its end of life the whole luminaire shall be replaced.
- Please do not remove the protect film before installing to avoid scraping or dirtying the optical part.
- During installation or maintaining the luminaire please use gloves to avoid spots on the cover.
- To remove dirt and spots use the following:
 - Dust: use micro fiber cloths only.
 - Fingerprints, etc.: use a cleaner for synthetic materials with antistatic properties.
- The PE-terminal is only for looping in or through wiring, the luminaire itself is Class II protective, connection of PE-terminal to power mains is not needed.
- For controllable luminaires, the classification of insulation between LV supply and control conductors shall be basic insulation at least.