



With plug-in terminals for copper conductors



DK 0404 W

- 0.75-4 mm², Cu 3~

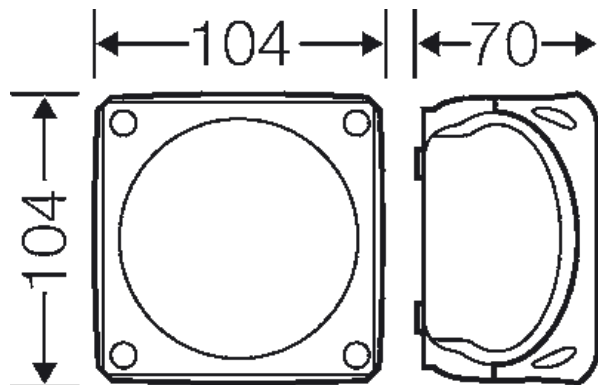


- with 2 x Wago 221-500 mounting support and 5 x Wago 221-413 3-conductor splicing connectors
- per splice connector 3 x 0.14 - 4 mm² f, 3 x 0.2 - 4 mm² sol / s
- with elastic membranes, which can be removed for cable entry via cable glands, sealing range 9.0-17.0 mm
- with one cable entry in the bottom, sealing range Ø 6.0-15.0 mm
- lid fasteners sealable without accessories
- retaining strap and external brackets for wall fixing included
- Colour: grey, RAL 7035


rated insulation voltage	U _i = 450 V a.c./d.c.
rated current:	32 A
material	PP (polypropylene)
degree of protection:	IP 66
width	104 mm
height	104 mm
depth	70 mm
weight	0,179 kg
in accordance with	IEC 60670-22

Drawings

Dimension drawing



With plug-in terminals for copper conductors

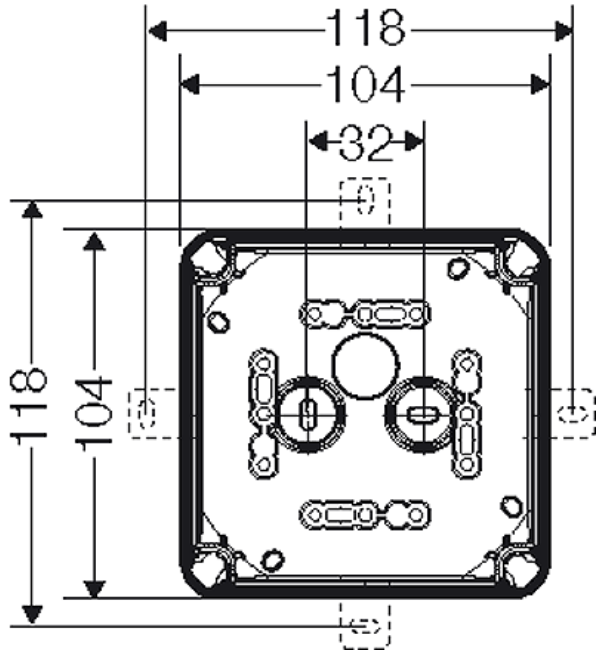


DK 0404 W

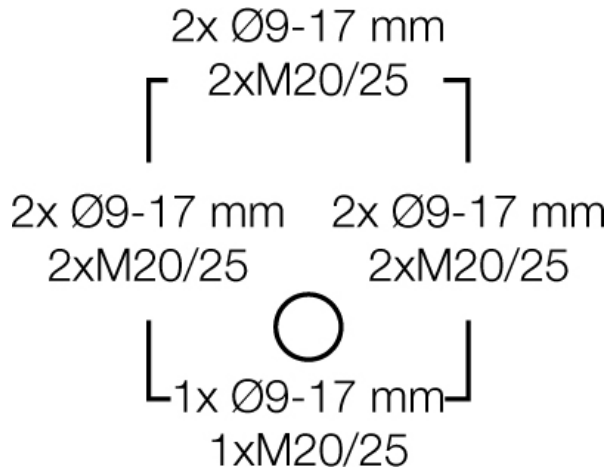
- 0.75-4 mm², Cu 3~

IP
66

Detail mass





Box walls



Operating and ambient conditions

Application area	Suitable for indoor installation and outdoor installation, protected against weather influences
Ambient temperature	Average value over 24 hours + 35 °C Maximum value + 40 °C Minimum value - 25 °C
Relative humidity	50% at 40° C short-time 100% at 25° C
Fire protection in the event of internal faults	Demands placed on electrical devices from standards and laws Minimum requirements - Glow wire test in accordance with IEC 60695-2-11: - 650°C for boxes and cable glands - 850°C for parts of insulating material necessary to retain current carrying parts in position

With plug-in terminals for copper conductors

	<p>DK 0404 W</p> <ul style="list-style-type: none"> • 0.75-4 mm², Cu 3~ 	
---	--	---

<p>Burning behaviour</p>	<p>Glow wire test IEC 60695-2-11: 750 °C UL Subject 94: V-2 flame-retardant self-extinguishing</p>
<p>Degree of protection against mechanical load</p>	<p>IK07 (2 Joule)</p>
<p>Toxic behaviour</p>	<p>halogen-free silicone-free "halogen-free" in accordance with the examination of the cables and insulated wires - corrosiveness of fumes - as per IEC 60 754-2</p>
<p>Note:</p>	<p>For material properties see technical data.</p>