

**TAVOLE 3D**

**3D DRAWINGS**

CARIF 320 BSA

## **CONDIZIONI GENERALI DI VENDITA**

Le presenti condizioni generali di vendita regolano esclusivamente l'offerta, l'inoltro e l'accettazione di ordini d'acquisto di ricambi tra CARIF e i clienti CARIF. Il seguente listino prezzi annulla e sostituisce tutti i precedenti.

### **COME ORDINARE**

- Carif richiede che in un ordine sia precisamente specificato:
  - NUMERO DI SERIE DELLA SEGATRICE ed eventualmente ANNO DI PRODUZIONE
  - CODICE DEL PEZZO (Cod.) e/o POSIZIONE DEL PEZZO A DISEGNO (Pos.)
  - QUANTITA'
  - IMPORTO in EURO

CONSEGNA (Avail.): ● min.1 – max.4 giorni lavorativi ● Da definire

### **GESTIONE ORDINI E SPEDIZIONE**

- CARIF avvisa che per ordini inferiori ad un importo di € 100,00 verranno aggiunti dei costi addizionali per gestione dell'ordine di € 30,00.
- Tutti la ricambistica CARIF viene spedita Ex-works.  
Per coloro non abbonati ad un corriere di spedizioni specifico, CARIF si riserva di selezionare un corriere (TNT, DHL, Bartolini, etc...) che garantisca tempi di spedizione il più celere possibile. Qualora non ci siano specifiche di servizio diverse in termini di spedizioni (es. via area) da parte dei clienti, CARIF si riserva di selezionare una modalità di spedizione "Economy" ovvero spedizione camionistica. I costi di spedizione saranno addebitati sulla fattura del cliente.
- Per clienti che ordinano al di fuori del territorio UE: la spedizione può essere soggetta a dazi doganali o altre spese di dogana per le quali saranno a carico del cliente.
- E' di responsabilità del cliente avvisare se i ricambi avranno destinazione diversa da quella solita indicata, specificando l'indirizzo esatto della destinazione finale.
- Le date di consegna sono indicative ed è premura di CARIF rispettarle, salvo condizioni di forza maggiore.

### **GARANZIE IN MATERIA DI DIFETTI DI MATERIALE E NOTIFICA DEI DIFETTI**

- La merce viene spedita in idonei imballaggi atti ad evitare l'eventuale danneggiamento dei ricambi.
- CARIF declina ogni responsabilità di danneggiamento durante il trasporto.
- I pezzi di ricambio sono coperti da garanzia di 24 mesi, per le parti soltanto esclusa manodopera.

### **PREZZI RICAMBI e TERMINI DI PAGAMENTO**

- CARIF si riserva il diritto di modificare i prezzi dei ricambi in qualsiasi momento senza notifica, causa aumento dei prezzi sul mercato. I Prezzi applicabili per i prodotti sono quelli pubblicati nell'area download del sito CARIF ed in vigore al momento della spedizione dell'ordine.
- Le condizioni di pagamento dei ricambi CARIF sono tramite bonifico bancario o verranno discusse volta per volta.

## **GENERAL TERMS AND CONDITIONS**

The following terms and conditions govern all request for CARIF spare parts delivery and payment. The Conditions stated below are valid for the company CARIF and CARIF clients only. Acceptance of the delivered goods shall be deemed acknowledgement of our terms and conditions.

The actual price list cancel and substitute all the previous version.

### **HOW TO ORDER**

- CARIF requires the client's order must sharply specify:
  - SERIAL NUMBER OF THE BAND SAW or eventually PRODUCTION YEAR
  - ITEM CODE (Cod.) and /or POSITION OF THE PART ON THE DRAWING (Pos.)
  - QUANTITY
  - AMOUNT in Euro

DELIVERY TIME (Avail.) : ● min. 1 - max. 4 working days ● To be defined

### **ORDERS MANAGEMENT AND SHIPMENT**

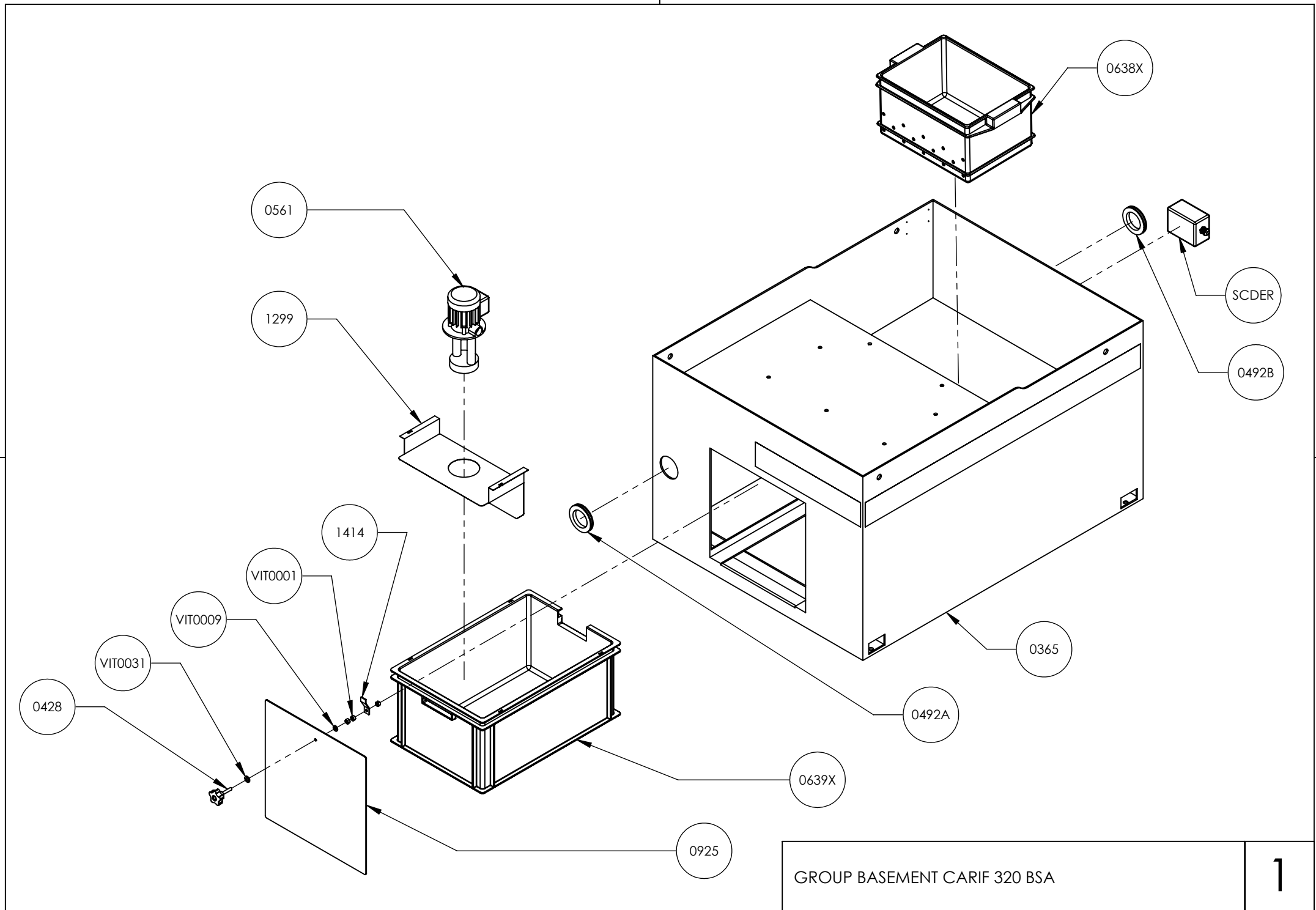
- CARIF inform that for orders below an amount of € 100,00 an additional cost of € 30,00 will be charged for administrative operations.
- Unless special terms are agreed, the prices should be understood to be price EX. WORKS, with no deduction or discount being granted for immediate payment. For those clients who DO NOT have an agreement with a specific forwarder, CARIF will choose a transport company (TNT, DHL, UPS, etc...) that can guarantee fast delivery times. Unless there are no specification stated by the client, for different transport conditions (ex. Airfreight), CARIF will choose an "Economy" delivery system which means by track. The transport costs will be charged on the client's invoice.
- Clients ordering spare parts outside the UE: the deliveries can be subject to custom duties or other custom costs which the client is responsible for.
- Clients are responsible to inform CARIF if spare parts have a different delivery destination than the usual one, specifying exactly the final shipment address.
- Delivery dates are approximate and it is CARIF care to respect them, unless particular circumstances.

### **WARRANTIES IN RESPECT OF MATERIAL DEFECTS AND NOTIFICATION OF DEFECTS**

- Spare parts are under guarantee, except for electric parts.
- The goods are delivered in appropriate packaging box to avoid damages.
- CARIF reserve itself from eventual damages to the spare parts during transportation.

### **PRICES/TERMS AND PAYMENT CONDITIONS**

- CARIF has the rights to modify the prices of the spare parts anytime, with no advises or notifications, due to price increases on the market.
- Payment conditions must be in advance by bank swift remittance or they will be discussed time by time.



GROUP BASEMENT CARIF 320 BSA

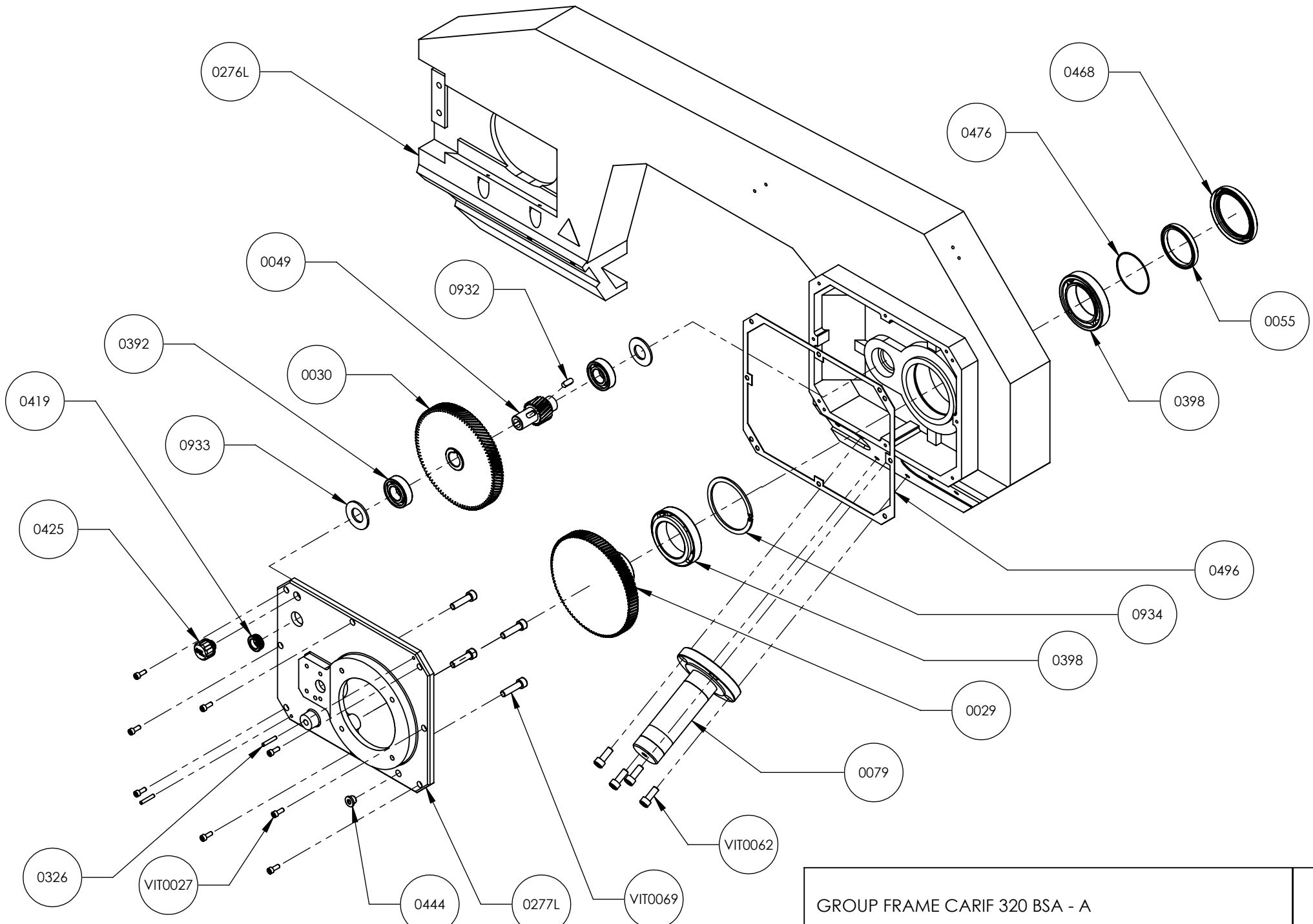
Code	Description	Quantity
0365	Basement	1
0428	Lobe knob ELESA	1
0492A	Cable gland basement $\varnothing$ 76.2 mm	1
0492B	Cable gland basement $\varnothing$ 88.9 mm	1
0561	Electropump	1
0638X	Chips container	1
0639X	Cooling liquid tank	1
0925	Basement casing	1
1299	Metal sheet electropump	1
1414	Basement casing lock	1
SCDER	Junction box	1
VIT0001	Nut M8	3
VIT0009	Washer $\varnothing$ 8	1
VIT0031	Washer $\varnothing$ 10	1



<b>Code</b>	<b>Description</b>	<b>Quantity</b>
0014	Index	1
0056	Rear jaw left	1
0057	Wall left	1
0059	Plane for pieces support	2
0064	Rear vice slide	1
0072	Stop shaft	1
0073	Spring fastening	1
0074	Locking bracket	1
0080	Basement shaft	1
0084	Vice Guide	1
0086	Busch	2
0090	Lower pin	1
0262L	Revolving support	1
0265L	Graduated plate	1
0313	Guide bushing	1
0331	Hexagon cap nut M20	1
0333	Nut M20 CH. 32 x 12,5	2
0350	Threaded Rod M20 x 85	1
0397	Taper roller bearing 32010X	4
0416	Clamping lever 10 x 60 ELESA	1
0461	Scraper ring AS 80 x 90 x 7/10	1
0536B	Grease nipple 1/4	1
0547	Cable gland PG11	1
0552	Cut end microswitch	1
0591	Graduated rule	1
0608	Plate " 0 "	1

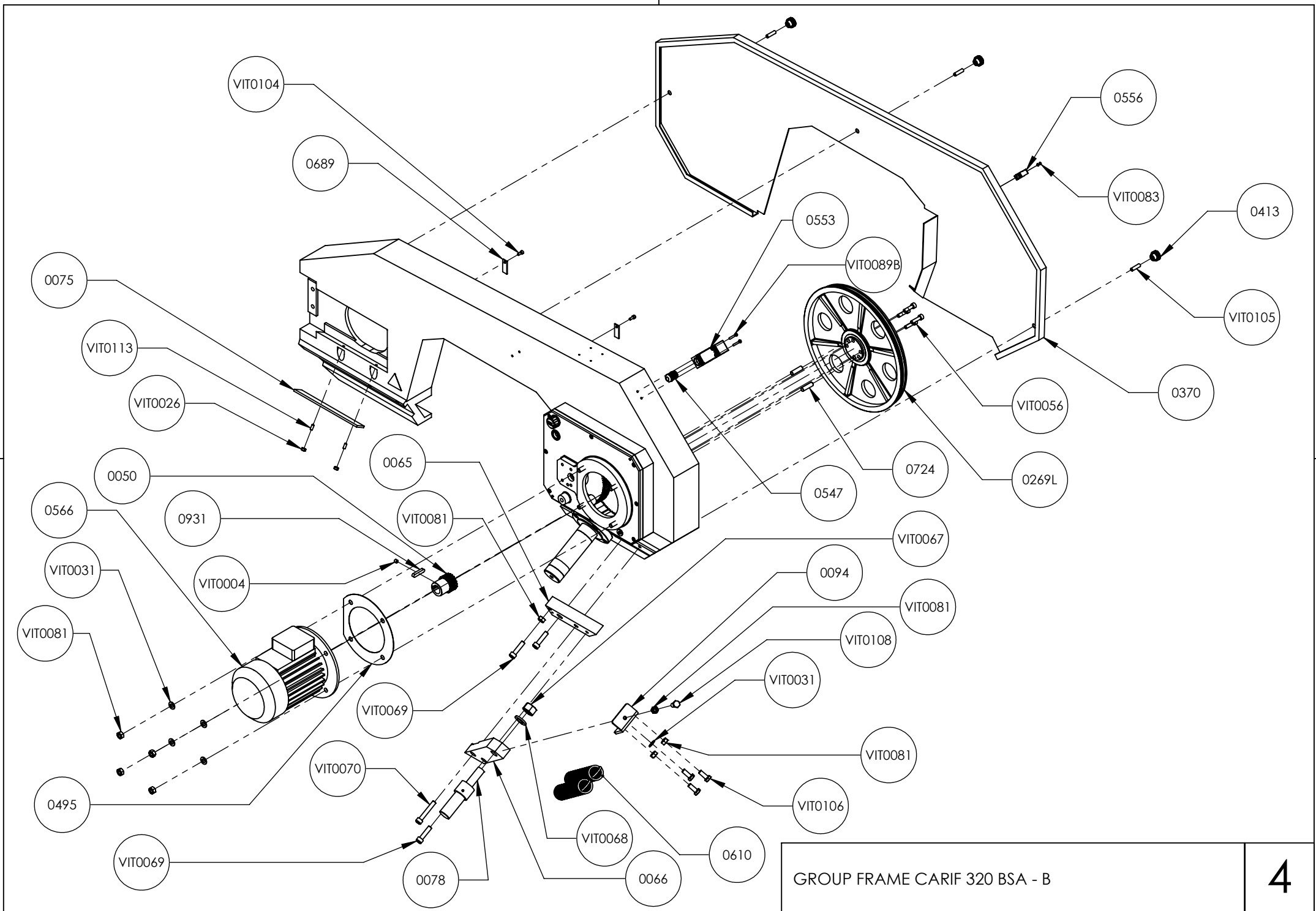
<b>Code</b>	<b>Description</b>	<b>Quantity</b>
0622	Combination wrench - 30 mm	1
0684	Basement Plate	1
0702	Washer 45 x 20 x 10	3
0704	Spring 1 x 9 x 18	1
0867	Metal sheet graduated plate	1
0941	Rear jaw right	1
1058	Locking ring A30	2
1530	Wall right	1
VIT0005	Spring Pin 5x32	1
VIT0015	Screw TCEI M6 x 20	2
VIT0026	Nut M6	1
VIT0029	Screw TCEI M10 x 50	2
VIT0030	Screw TCEI M10 x 20	2
VIT0031	Washer Ø10	9
VIT0059	Screw TE M10 x 40	4
VIT0060	Screw TE M10 x 20	3
VIT0061	Blind rivet 2,4 x 6	2
VIT0062	Screw TCEI M10 x 25	2
VIT0063	Screw TCEI M10 x 18	4
VIT0065	Nut M5	2
VIT0066	Screw TCEI M5 x 20	2
VIT0068	Spring washer Ø20	1
VIT0072	Screw TBCE M4 x 6	2
VIT0075	Screw TCEI M10 x 40	6
VIT0079	Screw TE M10 x 30	2
VIT0087	Washer Ø4	2

<b>Code</b>	<b>Description</b>		<b>Quantity</b>	
VIT0088	Screw M4 x 35		2	
VIT0091	Nut M20 1/2		1	
VIT0092	Screw TE M6 x 30		1	
VIT0093	Screw TCEI M12 x 90		1	
VIT0094	Screw TE M20 x 50		2	
VIT0095	Spring washer Ø10		2	
<b>SET &amp; KIT</b>				
0746	Graduated rule + index 0	0591	Graduated rule	1
		0608	Plate " 0 "	1
		VIT0061	Blind rivet 2,4 x 6	2
		VIT0072	Screw TBCE M4 x 6	2



GROUP FRAME CARIF 320 BSA - A

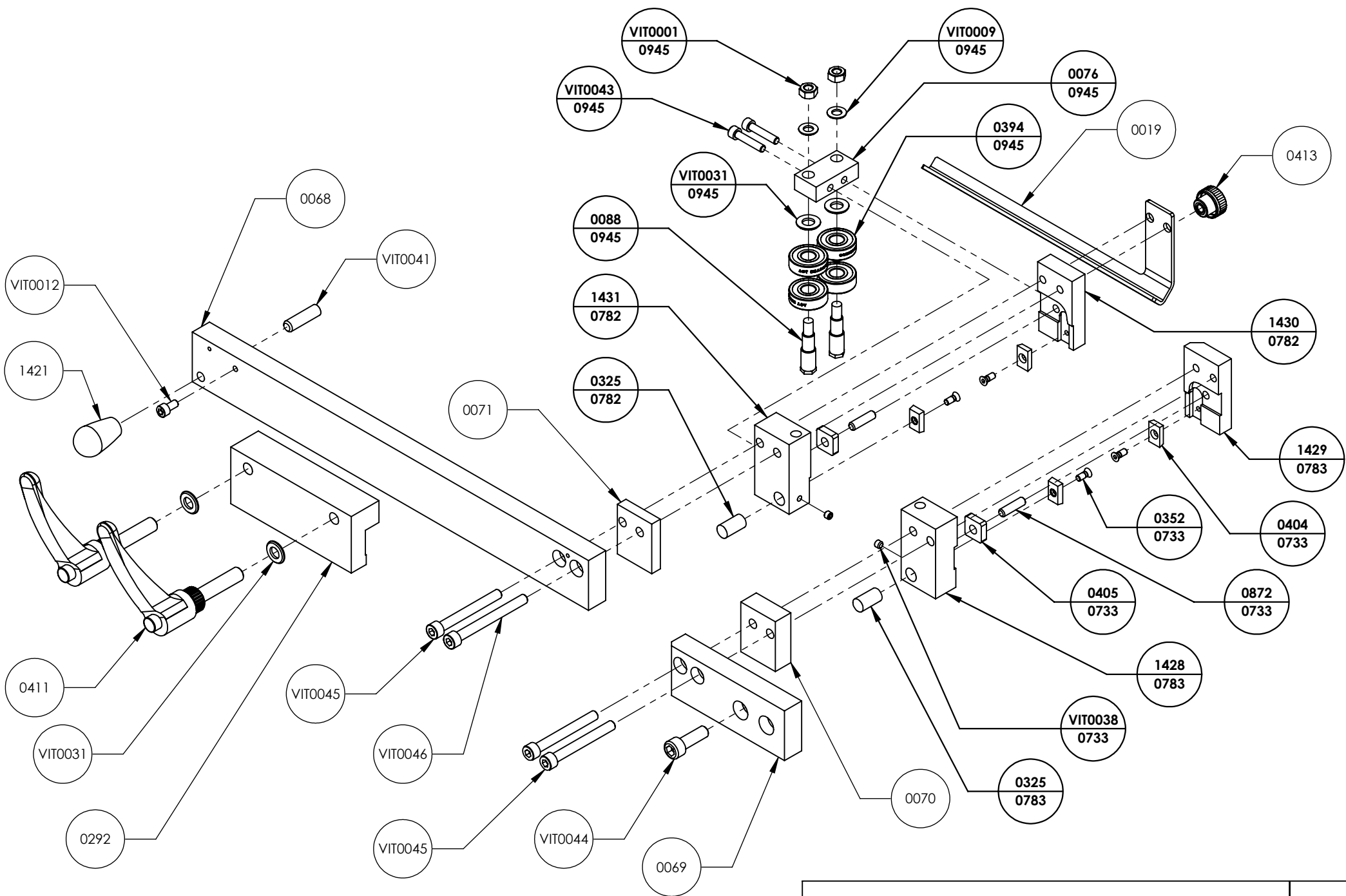
<b>Code</b>	<b>Description</b>	<b>Quantity</b>
0029	Toothed wheel	1
0030	Toothed wheel	1
0049	Pinion	1
0055	Spacer ring	1
0079	Frame shaft	1
0276L	Frame	1
0277L	Frame plate	1
0326	Pin 5 x 30	1
0392	Ball bearing 6205	2
0398	Conical bearing 32013X	2
0419	Level index ELESA	1
0425	Breather plug 3/8 ELESA	1
0444	Plug 1/4	1
0468	Retainer ring 100 x 78 x 10	1
0476	Gasket OR 2287	1
0496	Gasket	1
0932	Key 8 x 7 x 20	1
0933	Ring 35,5 x 51,5 x 0,6	2
0934	Locking ring j100	1
VIT0027	Screw M6 x 16	8
VIT0062	Screw M10 x 25	4
VIT0069	Screw M10 x 40	4



GROUP FRAME CARIF 320 BSA - B

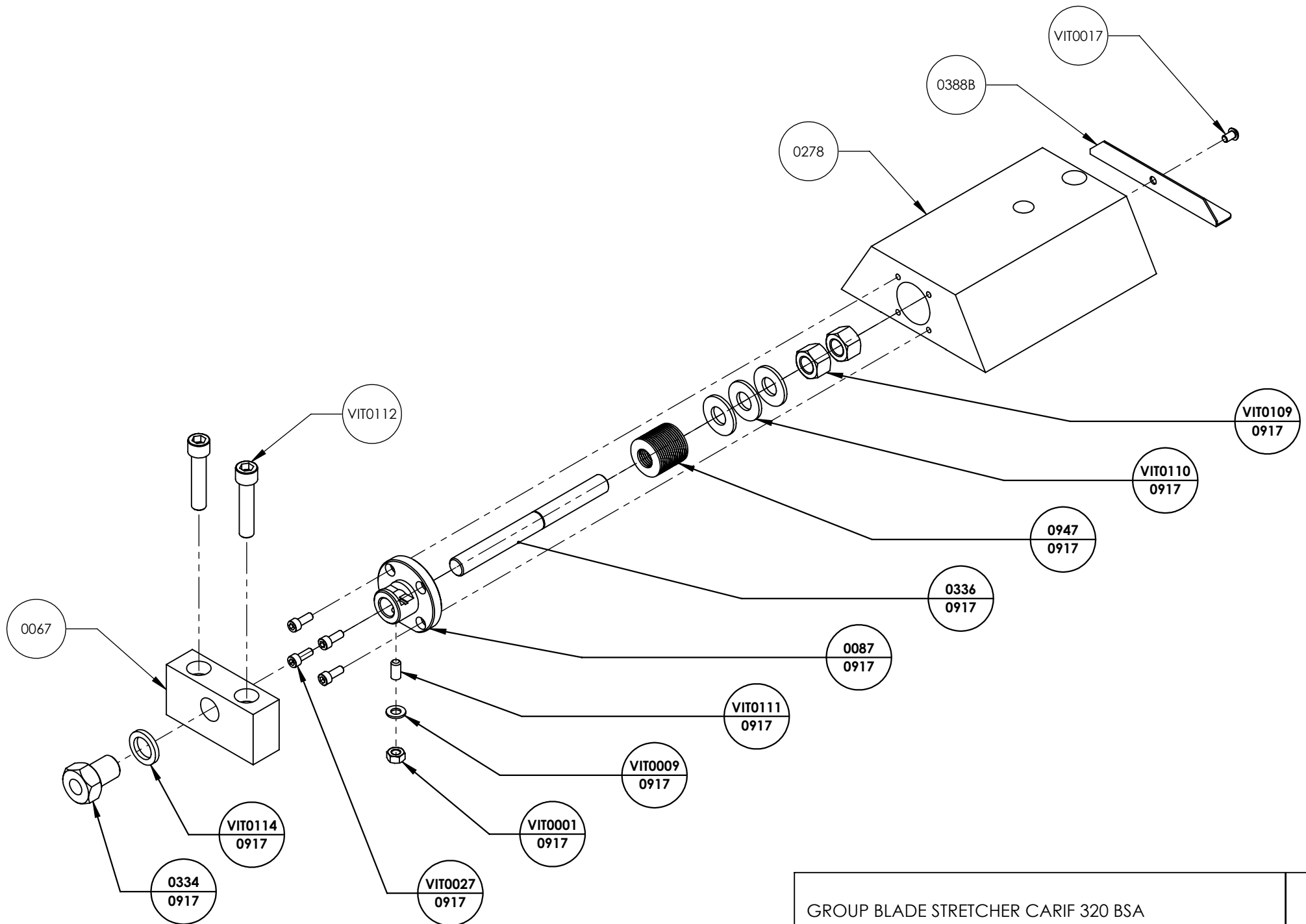
<b>Code</b>	<b>Description</b>	<b>Quantity</b>
0050	Motor pinion	1
0065	Frame lever	1
0066	Frame lever	1
0075	Gib	1
0078	Higher pin	1
0094	Spring fastening	1
0269L	Motor pulley	1
0370	Frame casing	1
0413	Knob ELESA	3
0495	Gasket Motor	1
0547	Cable gland PG11	1
0553	Frame housing switch	1
0556	Opening key Z14	1
0566	Blade Motor 1,1/1,4 kW	1
0610	Frame spring 5 x 40 x 250	2
0689	Blade safety	2
0724	Pin 10 x 36	2
0931	Key 8 x 7 x 40	1
VIT0004	Grub screw M8 x 8 cup point	1
VIT0026	Nut M6	2
VIT0031	Washer $\varnothing$ 10	5
VIT0056	Screw M8 x 30	4
VIT0067	Nut M20 3/4	1
VIT0068	Sprong washer $\varnothing$ 20	1
VIT0069	Screw M10 x 40	3
VIT0070	Screw M10 x 60	1

<b>Code</b>	<b>Description</b>	<b>Quantity</b>
VIT0081	Nut M10	8
VIT0083	Blind rivet 3,8 x 6	2
VIT0089B	Screw M4 x 35 one way	2
VIT0104	Screw M5 x 12	2
VIT0105	Grub screw M8 x 35 flat point	3
VIT0106	Screw M10 x 25	3
VIT0108	Screw M10 x 35	1
VIT0113	Grub screw M6 x 16 cone point	2



<b>Code</b>	<b>Description</b>	<b>Quantity</b>
0019	Blade protection	1
0068	Sliding blade guide support	1
0069	Fixed blade-guide support	1
0070	Rear thickness	1
0071	Front thickness	1
0076	Blade guide support	1
0088	Hexagonal pin	2
0292	Bracket	1
0325	Pin 12 x 22	2
0352	Screw M5 x 12	4
0394	Bearing 6201-2RS	4
0404	Hard-metal plate 12,7 x 20 x 4,76	4
0405	Hard-metal plate 19,05 x 6,35	2
0411	Clamping lever 10 x 50 ELESA	2
0413	Clamping knob ELESA	1
0872	Pin 7 x 26	2
1421	Handle ELESA	1
1428	Rear blade-guide right	1
1429	Rear blade-guide left	1
1430	Front blade-guide left	1
1431	Front blade-guide right	1
VIT0001	Nut M8	2
VIT0009	Washer Ø8	2
VIT0012	Screw M6 x 12	1
VIT0031	Washer Ø10	4
VIT0038	Grub screw M6 x 6 flat point	2

Code	Description		Quantity	
VIT0041	Grub screw M10 x 35 flat point		1	
VIT0043	Screw M6 x 30		2	
VIT0044	Screw M10 x 30		1	
VIT0045	Screw M8 x 70		3	
VIT0046	Screw M8 x 75		1	
<b>SET &amp; KIT</b>				
0733	Hard metal plates (4+2)	0404	Hard-metal plate 12,7 x 20 x 4,76	4
		0405	Hard-metal plate 19,05 x 6,35	2
		0872	Pin 7 x 26	2
		0352	Screw M5 x 12	4
		VIT0038	Grub screw M6 x 6 flat point	2
0782	Front blade-guide	0325	Pin 12 x 22	1
		1430	Front blade-guide left	1
		1431	Front blade-guide right	1
0783	Rear blade-guide	0325	Pin 12 x 22	1
		1428	Rear blade-guide left	1
		1429	Rear blade-guide right	1
0945	Assembled blade bearings	VIT0009	Washer $\varnothing$ 8	2
		VIT0043	Screw M6 x 30	2
		0076	Blade guide support	1
		0394	Bearing 6201-2RS	4
		0088	Hexagonal pin	2
		VIT0001	Nut M8	2
		VIT0031	Washer $\varnothing$ 10	2



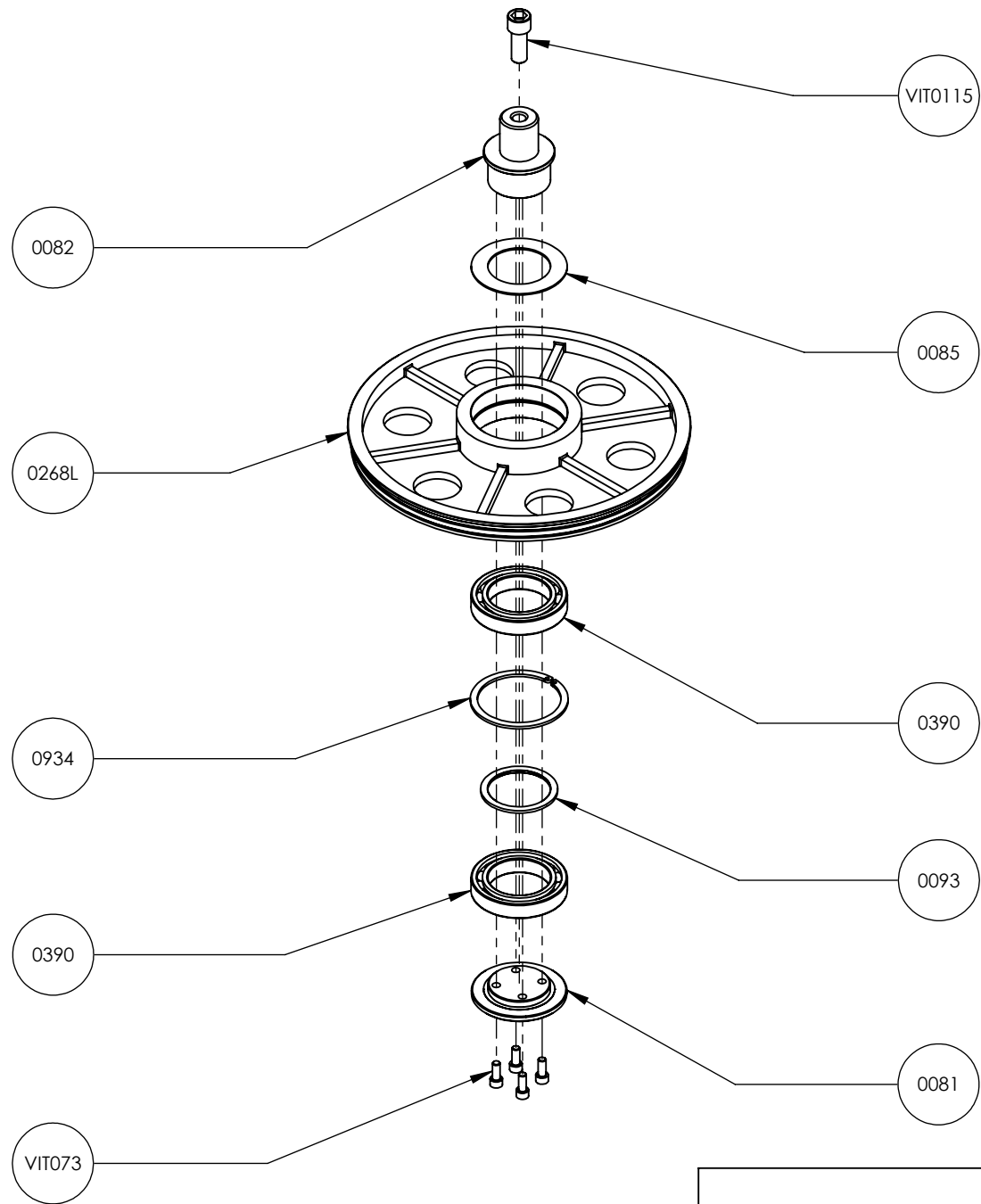
GROUP BLADE STRETCHER CARIF 320 BSA

Code	Description	Quantity
0067	Blade stretcher support	1
0087	Flange	1
0278	Blade stretcher body	1
0334	Blade stretcher Nut M16	1
0336	Blade stretcher shaft	1
0388B	Blade stretcher protection	1
0947	Disc spring $\varnothing 34 \times 16,3 \times 2$	16
VIT0001	Nut M8	1
VIT0009	Washer $\varnothing 8$	1
VIT0017	Screw M6 x 10	1
VIT0027	Screw M6 x 16	4
VIT0109	Nut M16	2
VIT0110	Washer $\varnothing 16,5 \times 35 \times 3$	3
VIT0111	Grub screw M8 x 16 flat point	1
VIT0112	Screw M12 x 55	2
VIT0114	Washer $\varnothing 20$	1

### SET & KIT

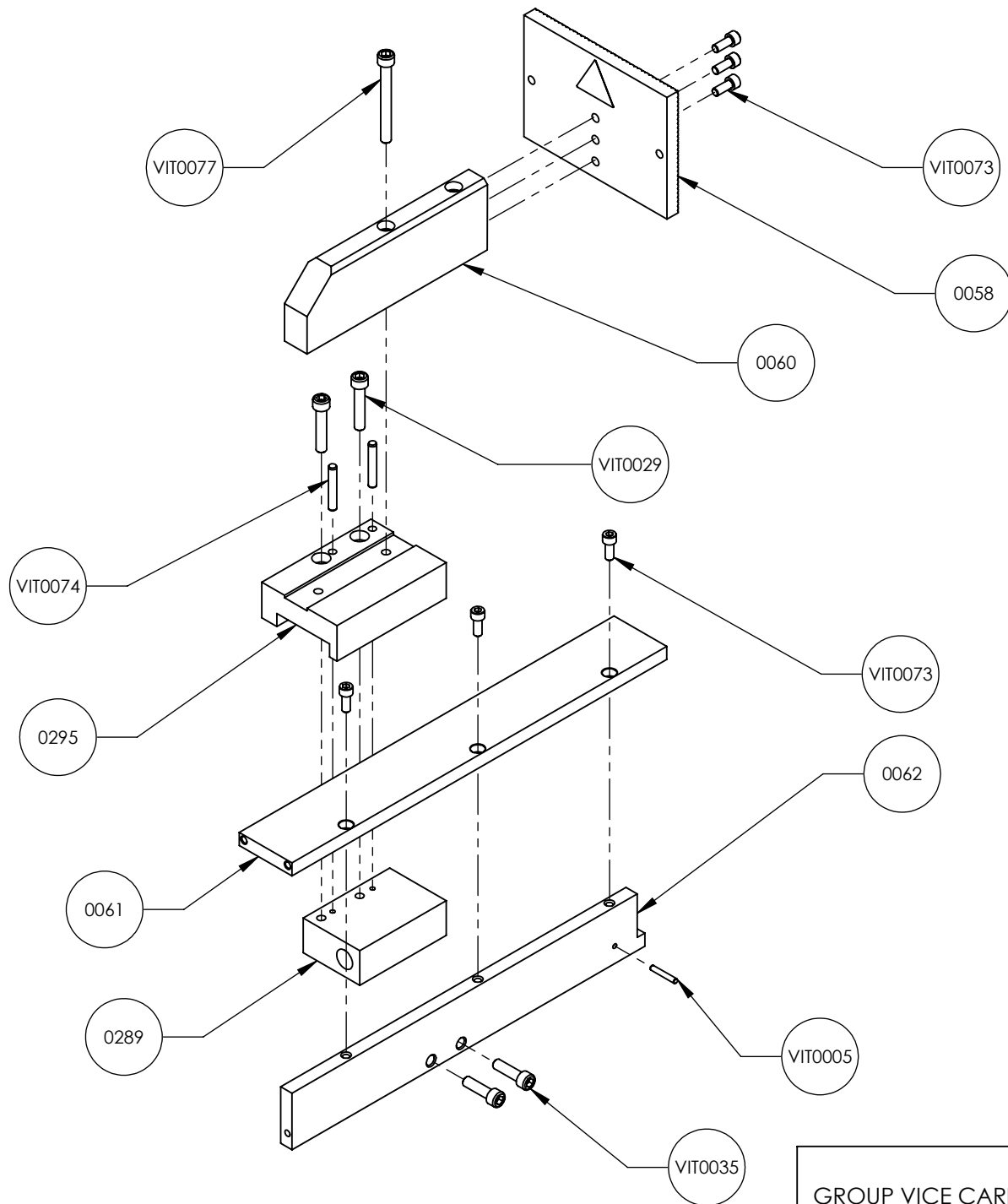
0917	Blade stretcher	0087	Flange	1
		0334	Blade stretcher Nut M16	1
		0336	Blade stretcher shaft	1
		0947	Disc spring $\varnothing 34 \times 16,3 \times 2$	16
		VIT0001	Nut M8	1
		VIT0009	Washer $\varnothing 8$	1
		VIT0027	Screw M6 x 16	4
		VIT0109	Nut M16	2
		VIT0110	Washer $\varnothing 16,5 \times 35 \times 3$	3

Code	Description			Quantity
0917	Blade stretcher	VIT0111	Grub screw M8 x 16 flat point	1
		VIT0114	Washer $\varnothing$ 20	1

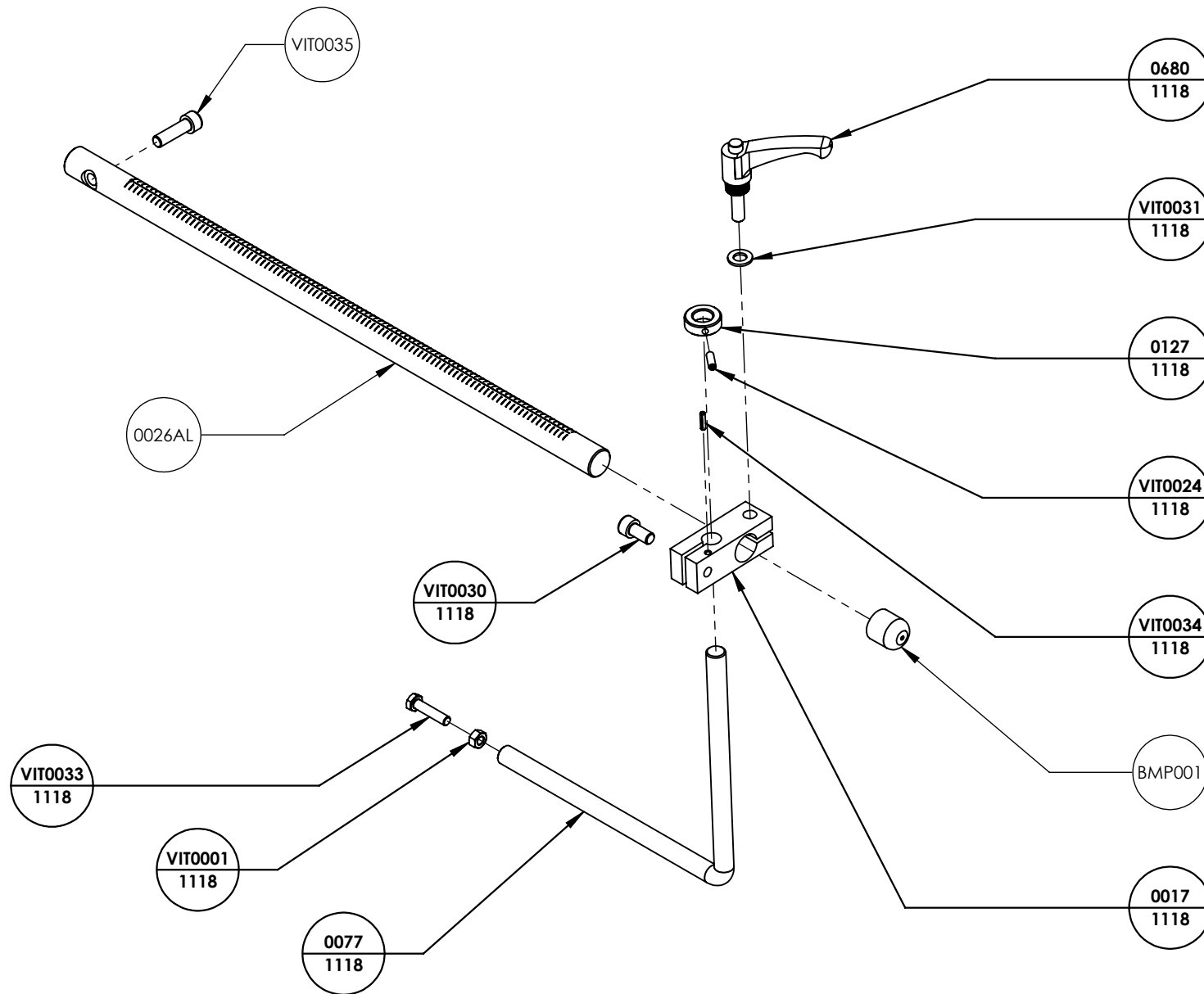


GROUP DRIVEN PULLEY CARIF 320 BSA

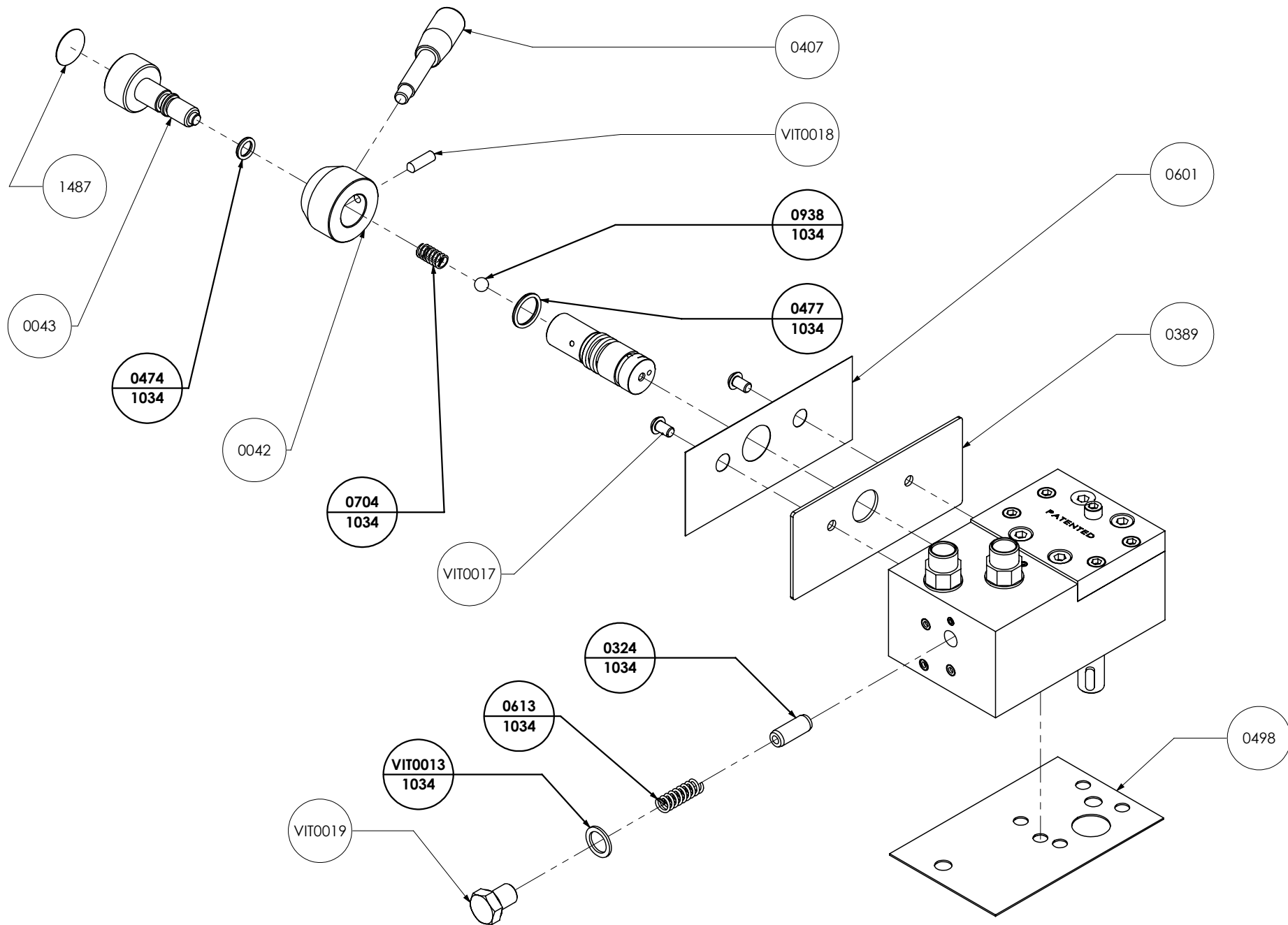
Code	Description		Quantity
0081	Flange		1
0082	Pulley pin		1
0085	Anti-dust ring		1
0093	Spacer ring		1
0268L	Driven pulley		1
0390	Ball bearing 6013-2RS		2
0934	Locking ring j100		1
VIT0073	Screw M8 x 20		4
VIT0115	Screw M16 x 40		1
<b>SET &amp; KIT</b>			
1033	Assembled front pulley	Group driven pulley Carif 320 BSA complete with all the components seen on the drawing	



<b>Code</b>	<b>Description</b>	<b>Quantity</b>
0058	Front jaw	1
0060	Jaw support	1
0061	Vice horizontal plan	1
0062	Vice vertical plan	1
0289	Vice lock-nut	1
0295	Front clamp	1
VIT0005	Spring pin 5 x 32	1
VIT0029	Screw M10 x 50	2
VIT0035	Screw M10 x 35	2
VIT0073	Screw M8 x 20	6
VIT0074	Cylindrical pin 8 x 50	2
VIT0077	Screw M10 x 90	1

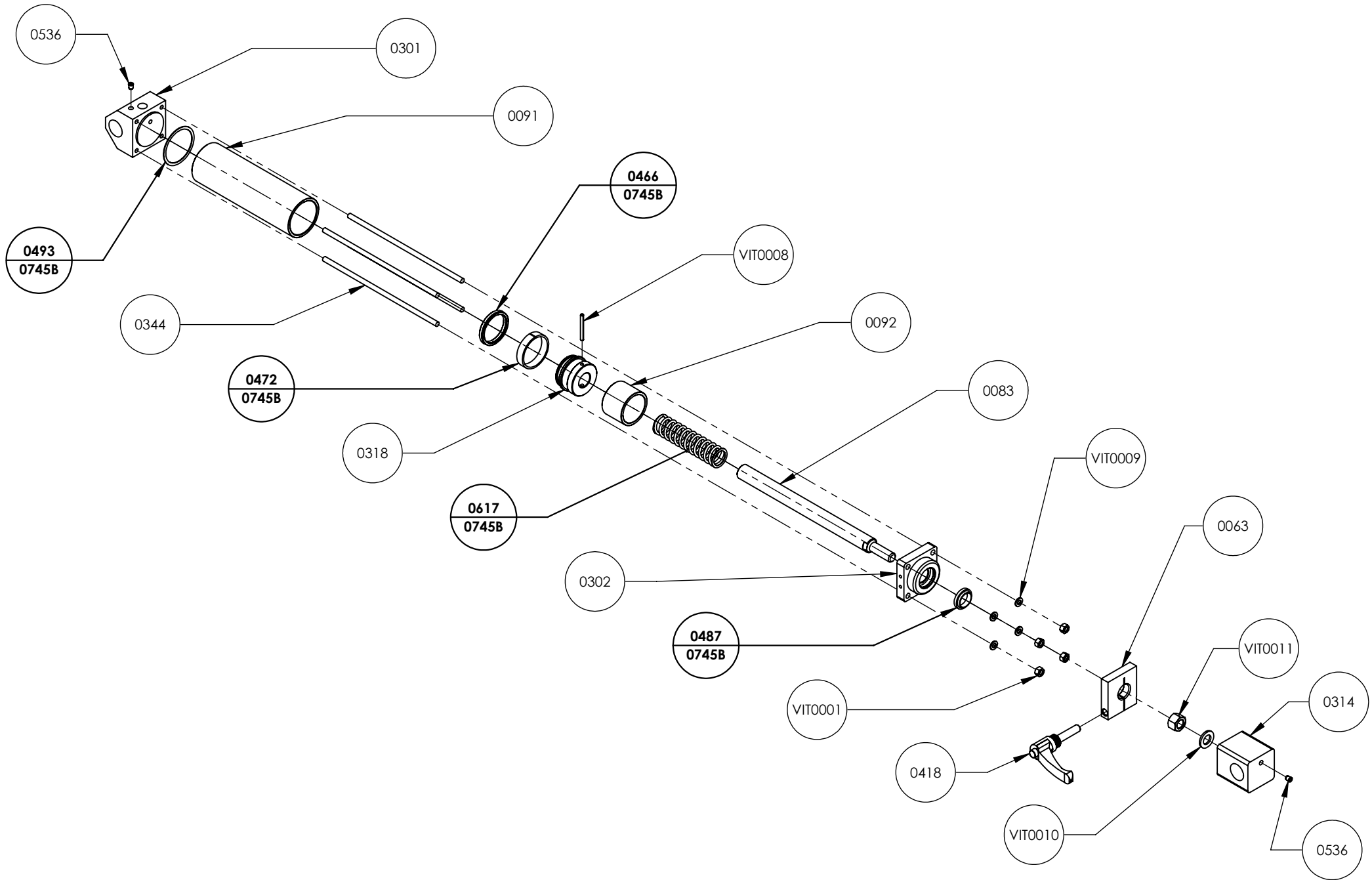


Code	Description	Quantity		
0017	Measuring index	1		
0026AL	Measuring shaft	1		
0077	Spacer 90°	1		
0127	Measuring washer	1		
0680	Clamping lever 10 x 30 ELESA	1		
BMP001	Rubber bush	1		
VIT0001	Nut M8	1		
VIT0024	Grub screw M6 x 14 flat point	1		
VIT0030	Screw M10 x 20	1		
VIT0031	Waasher Ø 10	1		
VIT0033	Screw M8 x 35	1		
VIT0034	Spring pin 4 x 16	1		
VIT0035	Screw M10 x 35	1		
<b>SET &amp; KIT</b>				
1118	Measuring Index	0017	Measuring index	1
		0077	Spacer 90°	1
		0127	Measuring washer	1
		0680	Clamping lever 10 x 30 ELESA	1
		VIT0001	Nut M8	1
		VIT0024	Grub screw M6 x 14 flat point	1
		VIT0030	Screw M10 x 20	1
		VIT0031	Washer Ø 10	1
		VIT0033	Screw M8 x 35	1
		VIT0034	Spring pin 4 x 16	1
1075	Assembled Measuring Device L=500	Group measuring device L500 Carif 320 BSA complete with all the components seen on the drawing		



GROUP GEAR PUMP CARIF 320 BSA

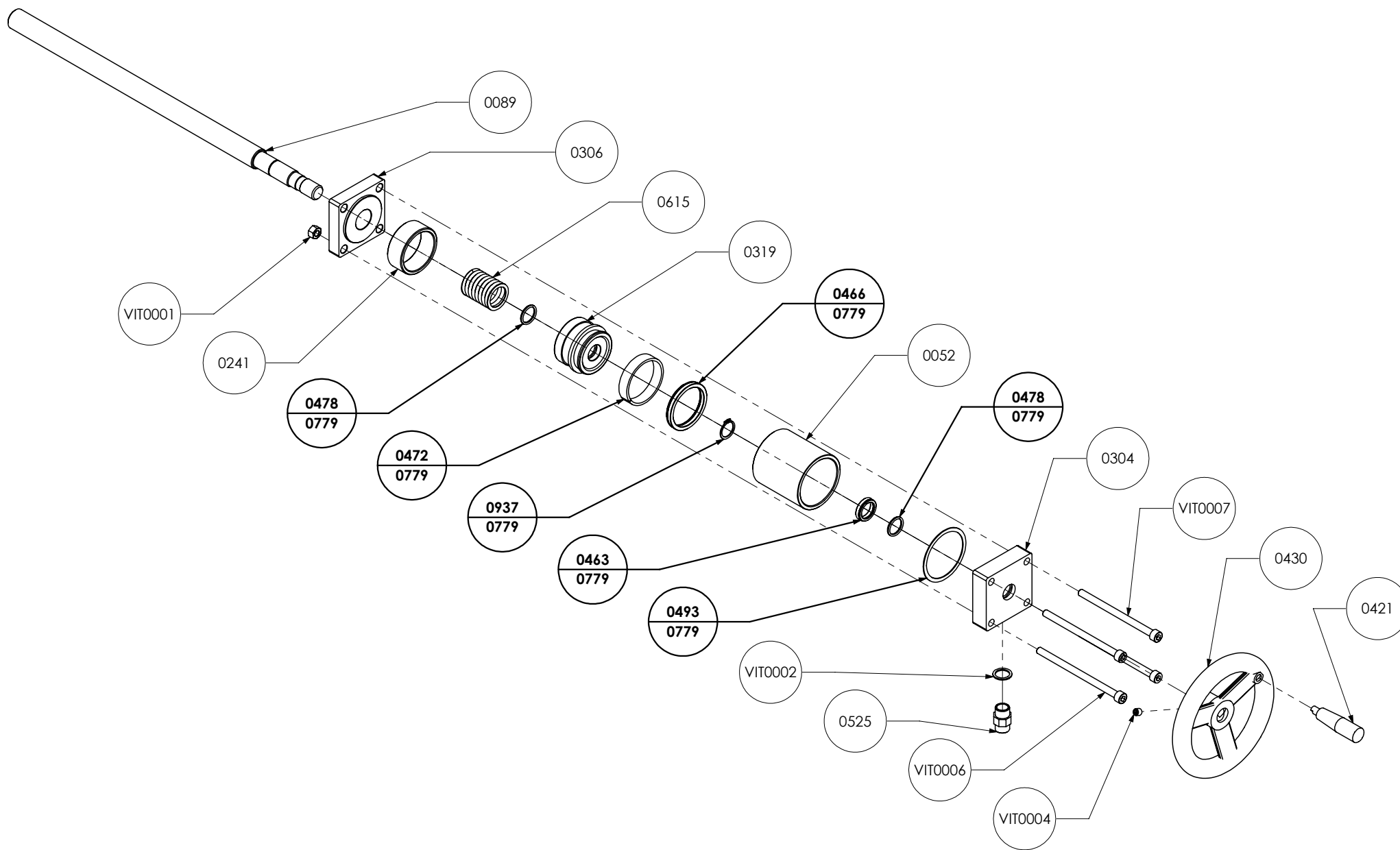
Code	Description	Quantity		
0042	Frame feed index	1		
0043	Pressure regulator	1		
0324	Cylindrical pin 10 x 25	1		
0389	Gear pump flange	1		
0407	Handle 10 x 75 ELESA	1		
0474	Gasket Gaco OR109	1		
0477	Gasket Gaco OR3068	1		
0498	Gear pump gasket	1		
0601	Anodized plate	1		
0613	Spring 1,5 x 9,7 x 30	1		
0704	Spring 1 x 9 x 18	1		
0938	Sphere 5/16"	1		
1487	Adhesive	1		
VIT0013	Copper washer 1/4"	1		
VIT0017	Screw M6 x 10	2		
VIT0018	Grub screw M6 x 10 cone point	1		
VIT0019	Screw M12 x 16	1		
<b>SET &amp; KIT</b>				
1034	Repairing kit gear pump	0324	Cylindrical pin 10 x 25	1
		0474	Gasket Gaco OR109	1
		0477	Gasket Gaco OR3068	1
		0613	Spring 1,5 x 9,7 x 30	1
		0704	Spring 1 x 9 x 18	1
		0938	Sphere 5/16"	1
		VIT0013	Copper washer 1/4"	1
0743	Assembled Gear Pump	Group gear pump Carif 260 320 BSA complete with all the components seen on the drawing		



GROUP FRAME CYLINDER CARIF 320 BSA

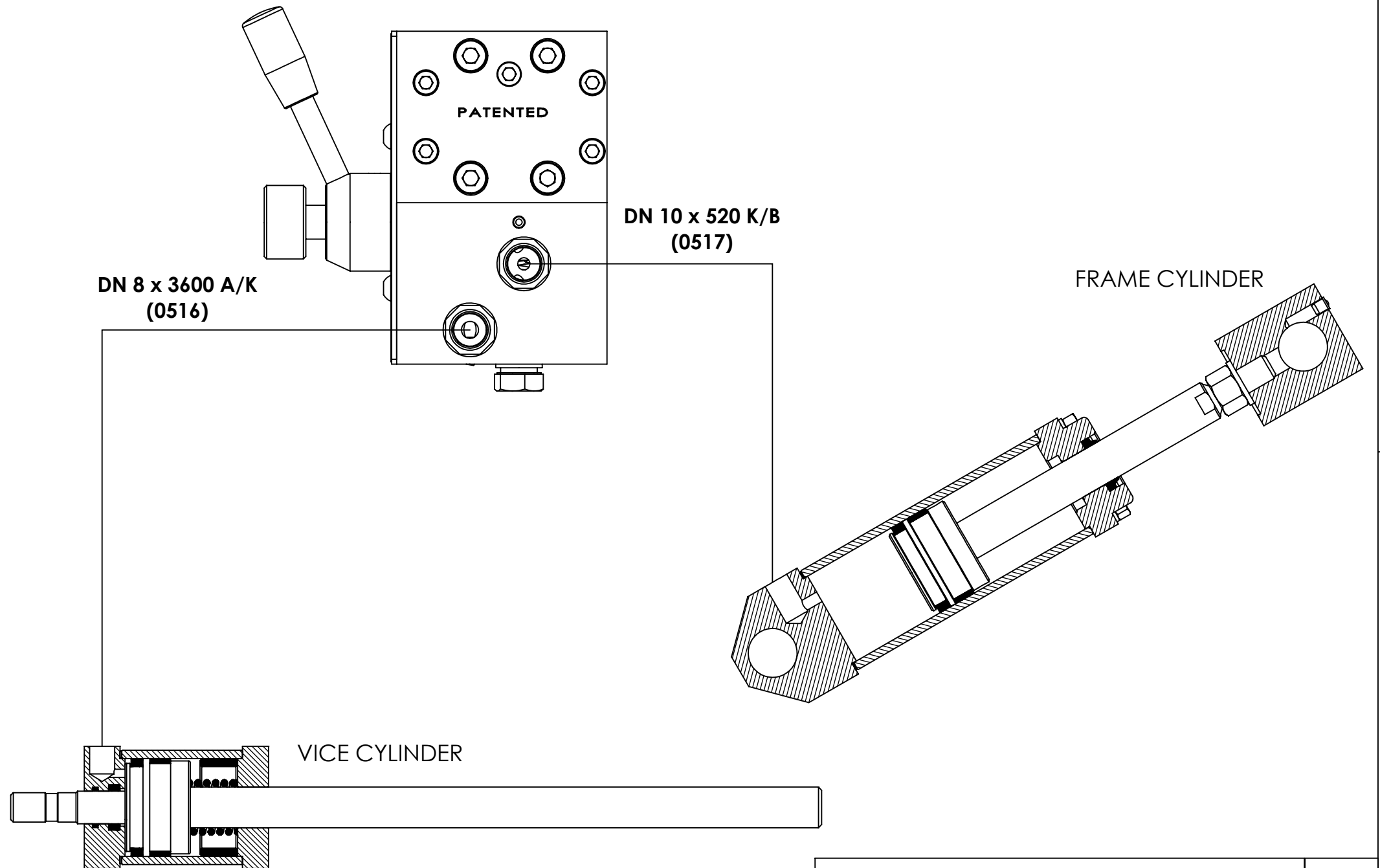
Code	Description	Quantity
0063	Bow regulation support	1
0083	Piston shaft	1
0091	Frame cylinder pipe	1
0092	Spacer ring	1
0301	Lower flange	1
0302	Upper flange	1
0314	Piston shaft support	1
0318	Piston	1
0344	Tie Rod M8 x 258 12-12	4
0418	Clamping lever M12 x 50 ELESA	1
0466	Seal B236196	1
0472	Guide ring E/DWR60	1
0487	Scraper ring 25 x 35 x 10	1
0493	Gasket 60 x 70 x 1	1
0536	Oiler $\varnothing$ 8	2
0617	Spring 4 x 34 x 135	4
VIT0001	Nut M8	4
VIT0008	Spring pin $\varnothing$ 5 x 50	1
VIT0009	Washer $\varnothing$ 8	4
VIT0010	Washer $\varnothing$ 16	1
VIT0011	Nut MB16	1
<b>SET &amp; KIT</b>		
0784	Assembled frame cylinder	<p>Group frame cylinder Carif 320 BSA complete with all the components seen on the drawing except for:</p> <ul style="list-style-type: none"> <li>- 0063 : Bow regulation support</li> <li>- 0314 : Piston shaft support</li> <li>- 0418 : Clamping lever M12 x 50 ELESA</li> <li>- 1 x 0536 : oiler <math>\varnothing</math>8</li> </ul>

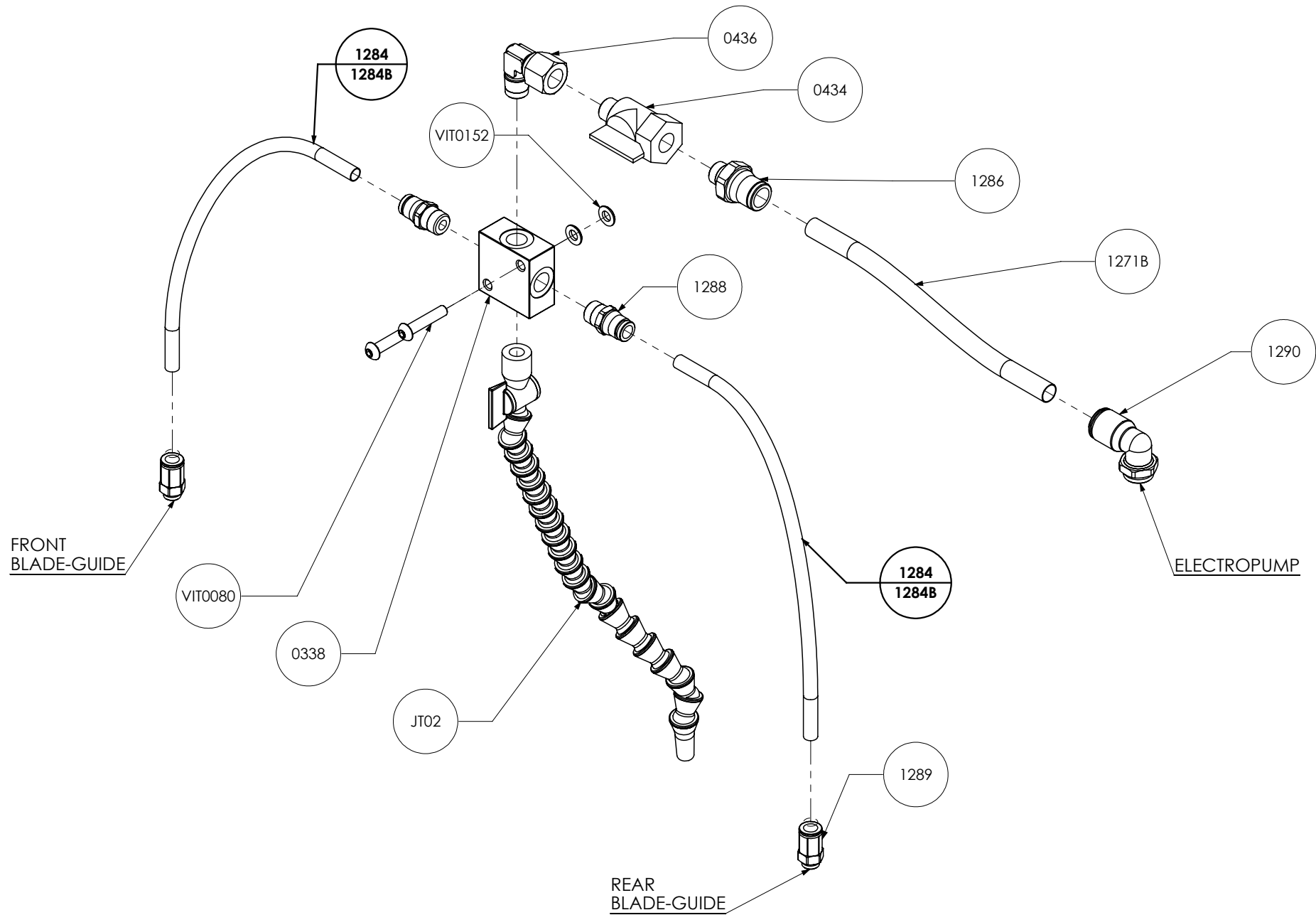
Code	Description			Quantity
0745B	Gaskets bow cylinder	0466	Seal B236196	1
		0472	Guide ring E/DWR60	1
		0487	Scraper ring 25 x 35 x 10	1
		0493	Gasket 60 x 70 x 1	1
		0617	Spring 4 x 34 x 135	1



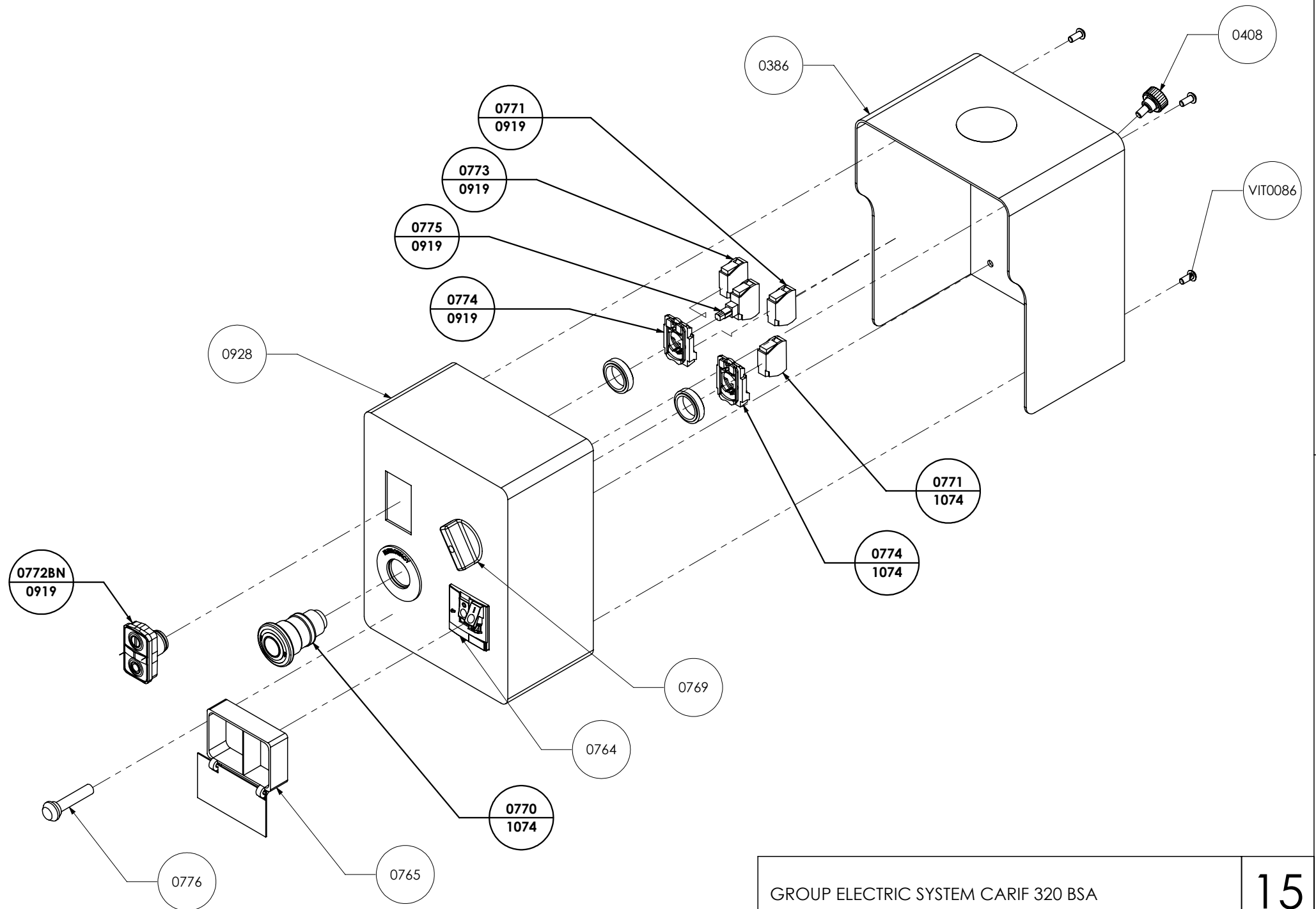
Code	Description	Quantity
0052	Vice cylinder pipe	1
0089	Screw-vice TPN 25 x 5	1
0241	Vice cylinder spacer	1
0304	Anterior flange	1
0306	Rear flange	1
0319	Piston	1
0421	Crank handle ELESA	1
0430	Spoked handwheel Ø150	1
0463	Seal B110078	1
0466	Seal B236196	1
0472	Guide ring E/DWR60	1
0478	Gasket Gaco OR 3081	2
0493	Gasket 60x70x1	1
0525	Nipple 3/8	1
0615	Spring 4x34x75	1
0937	Locking ring A20 DIN 471	1
VIT0001	Nut M8	1
VIT0002	Copper washer 3/8	1
VIT0004	Grab screw M8 x 8 cup point	1
VIT0006	Screw M8 x 120	1
VIT0007	Screw M8 x 130	3
<b>SET &amp; KIT</b>		
0921	Assembled Vice Cylinder	<p>Group vice cylinder Carif 260 320 BSA complete with all the components seen on the drawing except for:</p> <ul style="list-style-type: none"> <li>- 0089 : Screw-vice TPN 25 x 5</li> <li>- 0421 : Crank handle ELESA</li> <li>- 0430 : Spoked handwheel Ø150</li> <li>- VIT0004 : Grab screw M8x8 cup point</li> </ul>

Code	Description			Quantity
0779	Gaskets Vice Cylinder	0463	Seal B110078	1
		0466	Seal B236196	1
		0472	Guide ring E/DWR60	1
		0478	Gasket Gaco OR 3081	2
		0493	Gasket 60x70x1	1
		0937	Locking ring A20 DIN 471	1





<b>Code</b>	<b>Description</b>			<b>Quantity</b>
0338	Distributor 1//4 - 4 outputs			1
0434	Ball valve 1/4 - 1/4			1
0436	Fitting 1/4 - 1/4			1
1271B	Hose electropump 12/9			L 3,5 m
1284	Hose front blade-guide 8/6			L 0,5 m
1284	Hose rear blade-guide 8/6			L 0,56 m
1286	Cylindrical fitting 1/4 - 12			1
1288	Cylindrical fitting 1/4 - 8			2
1289	Cylindrical fitting 1/8 - 8			2
1290	Revolving fitting 3/8 - 12			1
JT02	Coolant hose			1
VIT0080	Screw M5 x 30			2
VIT0152	Washer Ø5			2
<b>SET &amp; KIT</b>				
1284B	Rilsan tube	1284	Hose front blade-guide 8/6	L 0,5 m
		1284	Hose rear blade-guide 8/6	L 0,56 m
1129	Rilsan Tube	Set complete with all the tubes seen on the drawing		



<b>Code</b>	<b>Description</b>	<b>Quantity</b>
0386	Shelter switchboard	1
0408	Clamping knob 6 x 10 ELESA	1
0764	Magnetothermic motor protector	1
0765	Block device	1
0769	Commutator	1
0770	Emergency button	1
0771	Contact block ZBE 102	2
0772BN	Start stop button	1
0773	Contact block ZBE 101	1
0774	Mounting collar	2
0775	Start light	1
0776	Warning light	1
0928	Electric box empty	1
1383A	Pipe PA NW 50 1,45mt	1
1384	Sleeve GZ 36	1
VIT0086	Screw M5 x 12	4

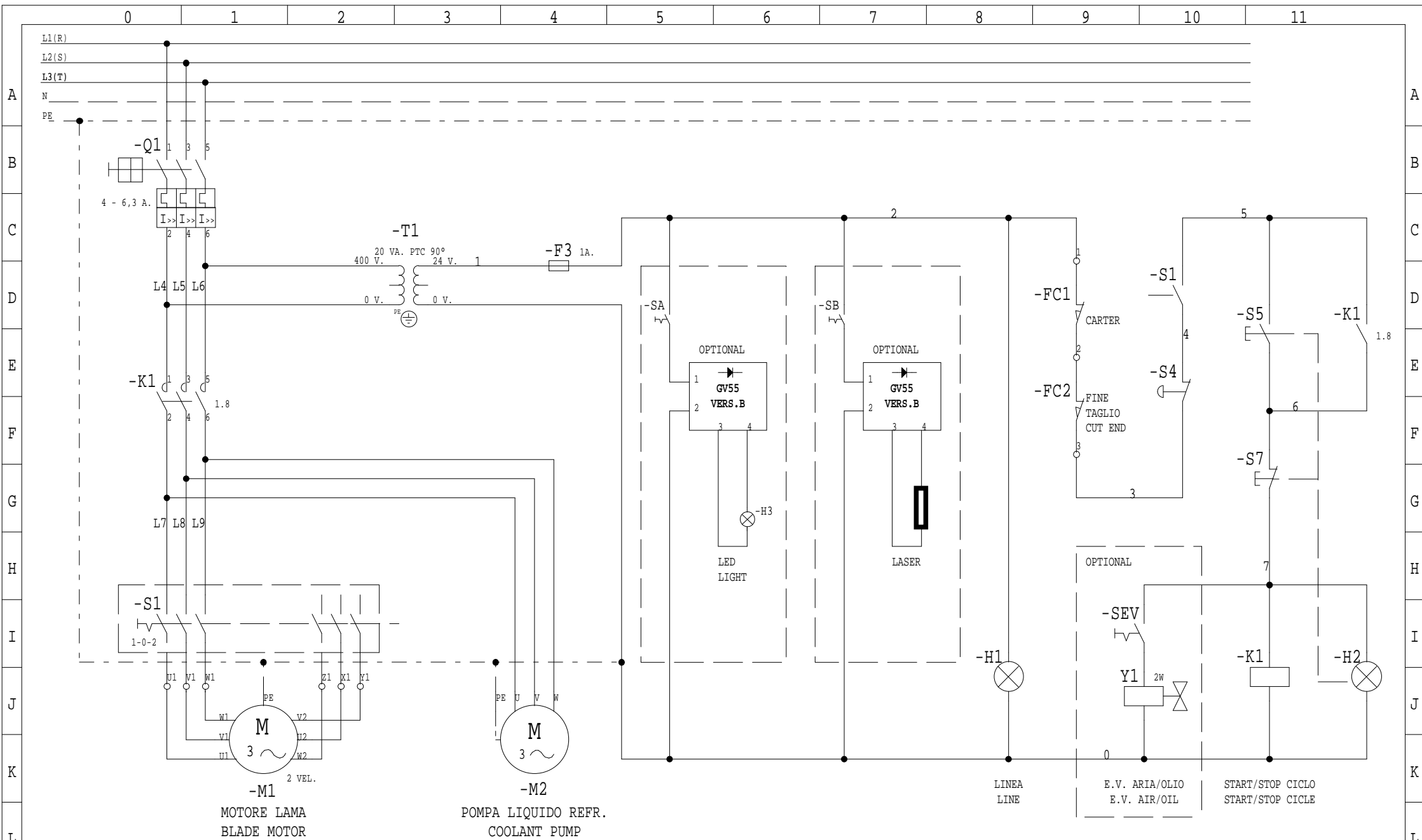
### SET & KIT

0919	Start stop button	0771	Contact block ZBE 102	1
		0772BN	Start Stop button	1
		0773	Contact block ZBE 101	1
		0774	Mounting collar	1
		0775	Start light	1
1074	Emergency button	0770	Emergency button	1
		0771	Contact block ZBE 102	1
		0774	Mounting collar	1
0714	Complete electric box	0764	Magnetothermic motor protector	1

Code	Description		Quantity	
0714	Complete electric box	0765	Block device	1
		0769	Commutator	1
		0776	Warning light	1
		0919	Start stop button	1
		0927	Emergency button	1
		0928	Electric box empty	1

**CARIF 260 320 BSA - ELECTRIC SCHEME**

Pos.	Italiano	English	Deutsch	Français	Cod.	Avail.
Q1	SALVAMOTORE MAGNETOTERMICO GV2-ME10 V400=4-6,3A SCHNEIDER ELEC.	MAGNETOTHERMIC MOTOR PROTECTOR	MAGNETTHERM. MOTORSCHUTZ	PROTECTION MOTEUR MAGNETO-THERMIQUE	0764	●
	DISPOSITIVO DI BLOCCO GV2-V01 TELEMECANIQUE	BLOCK DEVICE	BLOCKVORRICHTUNG	DISPOSITIF DE BLOC	0765	●
F3	SEZIONATORE CON FUSIBILE WSI 6 WM + FUSIBILE 2A-250V	FUSES	SCHMELZBAR	FUSIBLES	0766	●
K1	CONTATTORE LC1K-0910-B7 SCHNEIDER ELECTRIC	REMOTE CONTROL SWITCH	FERNSCHALTER	CONTACTEUR	0768	●
S1	COMMUTATORE 2V. P0120721S GIOVENZANA	COMMUTATOR	SCHALTER	COMMUTATEUR	0769	●
FC1	MICROSWITCH CARTER ARCO XCSPA591 + XCSZ14 TELEMECANIQUE	BOW CASING MICROSWITCH	ENDSCHALTER	MICRO-INTERRUPTEUR COUVERCLE ARCHET	0553	●
FC2	MICROSWITCH FINE TAGLIO XCKN2110G11 TELEMECANIQUE	CUT END MICROSWITCH	ENDSCHALTER	MICRO-INTERRUPTEUR FIN DE COUPE	0552	●
S4	PULSANTE A FUNGO D'EMERG. COMPL. ZB5 AS844 TELEMECANIQUE	EMERGENCY BUTTON COMPL.	NOT-AUS-TASTE	BOUTON-POUSSOIRE D'URGENCE	0927	●
	ZBE-102 TELEMECANIQUE	CONTACT BLOCK			0770	●
S5-S7	PULSANTE START/STOP COMPLETO ZB5 AW7A3741 TELEMECANIQUE	START/STOP BUTTON COMPL.	START/STOP TASTE	BOUTON POUSSOIRE DE MARCHE ET D'ARRET	0771	●
	ZB5 AZ009 TELEMECANIQUE	MOUNTING COLLAR			0919	●
	ZBE 101 TELEMECANIQUE	CONTACT BLOCK			0772	●
	ZBE 102 TELEMECANIQUE	CONTACT BLOCK			0774	●
H2	PORTALAMPADA START ZBV B1 TELEMECANIQUE	START LIGHT	MELDELEUCHTE	VOYANT DU START	0773	●
H1	LAMPADA SPIA Ø10 - 30V - D.10 BCO SLIM	WARNING LIGHT	MELDELEUCHTE	VOYANT	0775	●
T1	TRASFORMATORE - NOR-SE TA-202020 VA20-PTC 90° - 0-230-400V 0-24V	TRANSFORMER	TRANSFORMATOR	TRANSFORMATEUR	0776	●
M1	MOTORE LAMA - DP 90 L B4/8 Kw 1,1/1,4 BONANI	BLADE MOTOR	MOTOR	MOTEUR LAME	0826	●
M2	ELETTROPOMPA - AST 30/150 3~ SAMEC	ELECTROPUMP - 3~	E-POMPE - 3~	POMPE ELECTRIQUE - 3~	0566	●
SEV	INTERRUTTORE - ELCART ART. 4/6622	SWITCH	SCHALTER	COMMUTATEUR	0561	●
Y1	ELETTROVALVOLA MINIMALE 24VAC	ELECTRO-VALVE	SOLENOID	ELECTROVANNE	1037	●
GV55	ALIMENTATORE 24VDC	POWER SUPPLY	POWER SUPPLY	ALIMENTATION	0813	●
H3	LUCE LED	LED LIGHT	LICHT LED	LUMIÈRE	1485	●
H4	LINEA LASER	LASER LINE	LASER	LASER	LED4	●
	Z5M18B-635-Ig90 VDC - Z-LASER				1051	●



CLIENTE: CARIF srl		LOCALITA': via Tre Salti 1 TURBIGO VA		<b>CARIF SRL</b>			DESCRIZIONE: AVV. 260/320 BSA 2 VEL.3X400V		
PROGETTO: CARIF260-320BSA2V0001.PRG		DATA: 12/07/2016	REV.	DIS.: AR	FIRMA:	DATA: 13/11/2020	FG.: 1	DI 1	