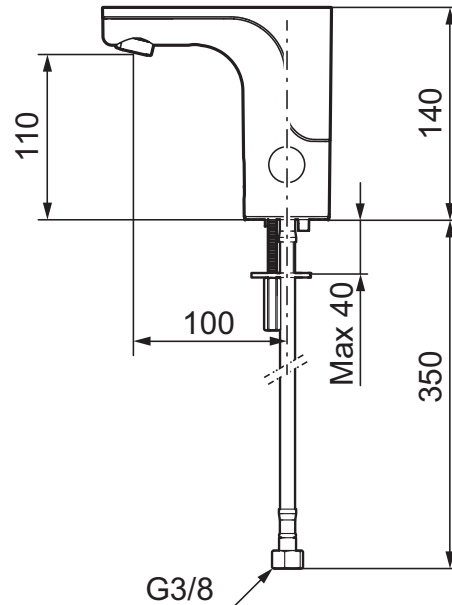


Mora MMIX Tronic

mora

ANNO 1927

Mora MMIX Tronic is a new sensor controlled basin mixer. Sensor controlled mixers started out in public facilities, but are increasingly finding their way into modern homes. A sensor detects when you put your hands underneath the mixer and automatically activates the water flow until you remove your hands. Hygienic, energy-efficient and childishly simple.



- For premixed water
- Without temperature knob, mains operation (without transformer)
- Soft closing solenoid valve
- Safe against vandalism, complete in metal
- Eco (energy and water saving constant flow aerator, 5 l/min at 200–600 kPa)
- Flush Timeout - safety shut-off to prevent flooding
- 30 sec. rinse time via sensor
- Can be turned off for 60 sec. (eg for cleaning)
- Low power consumption - Long life
- Equipped with system for thermal disinfection against legionella
- IP class sensor, IP67
- Approved non-return valves, EN-Standard EN1717
- Environmental friendly material, Lead free, Nickel Free

Installation:

- Automatic sensor calibration
- All models can be adapted for either battery 6V or mains operation 12V AC/DC
- Mains operation requires power supply 729470 alternatively transformer 729475
- Soft Pex[®] hoses with integrated non return valves and filters (stainless steel braided)
- Hole diameter Ø33,5-37 mm

Settings:

- Programmable function for hygiene flushing
- Adjustable flush time

Mora MMIX Tronic

mora
ANNO 1927



Mora Eco



Soft Closing



Easy-Open



Lead Free



Hygiene Flush

Description	MA nr	EAN kod
Chrome, mains operation, without transformer	72 00 92	7391887240355