

820.045.050 BØJNING 45°

-Diameter: Ø50 mm
-Rustfrit stål: AISI304/EN1.4301

Produktkoder


EAN: 5705499401301
VVS nummer: 160205050
RSK nummer: 1550089
NRF nummer: 2170054
LVI nummer: 0240682


Specifikation

Materiale: AISI 304
Materiale (EN): EN 1.4301
Udløbsdiameter (mm): 50
Vinkel (°): 45
Vægt (kg): 0,17

Godkendelser


 AUS - WMKT00204 - 24


 DK - VA 2.12/19349 EuroPipe DS432

 FR - DTA 14.1/12-1811_V3 EuroPipe

 HACCP Food Safety Programme - Australasia

 HACCP Food Safety Programme - Europe

 NO - 0692-22 EuroPipe

 US - IAPMO File No.3247-EuroPipe

ABS - LD1716353-PDA

Achilles Certificate - 46702-22

Bureau Veritas, 02375-I0 Pipes & Fittings

DNV - TAP0000023-rev4, Sanitary discharge pipes

KR - Type Approval CPH42135-PE001

Lloyds Register LR22419510TA

MARINE - R4547 NATO CODIFICATION SYSTEM

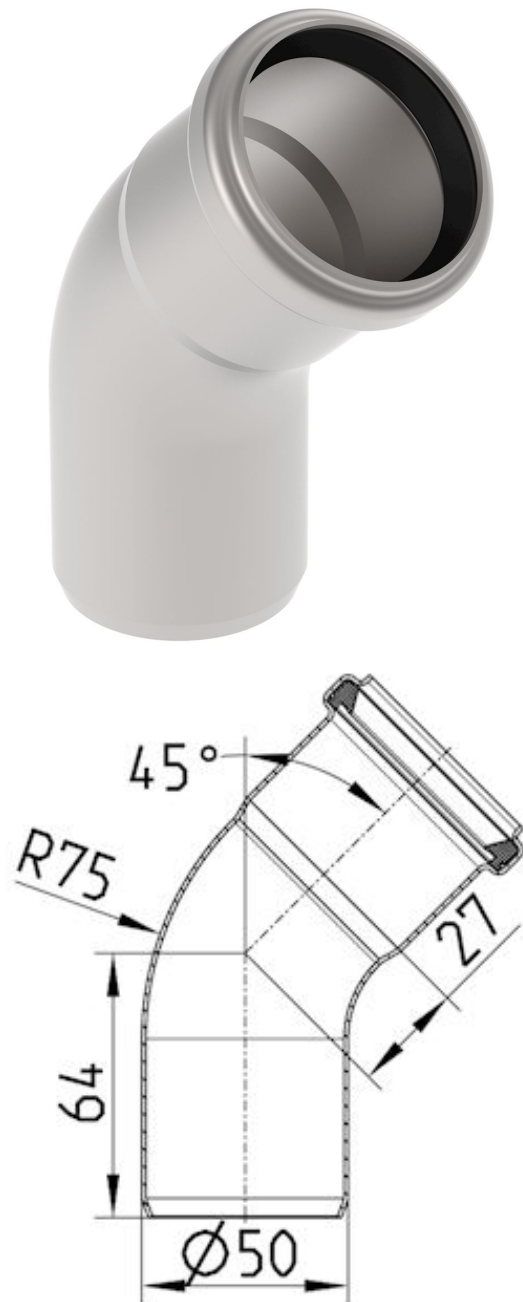
PL - Hygienic Certificate - All Products

RINA -MAC285119XG EuroPipe

RS - 22.10018.262 BLÜCHER EuroPipe and Fittings Type approval

RU - 0212322 Pipes-21

UR - 1055745 Product approval, EuroPipe and Drains



BLÜCHER®

A WATTS Brand

© 2024 BLÜCHER