

525.090.110 S P-VANDLÅS 87,5°

- Diameter: Ø110 mm
- Vandlukkehøjde = 89 mm
- Syrefast stål: AISI316L/EN1.4404

Produktkoder


EAN: 5705499101485
VVS nummer: 160381410
RSK nummer: 1550347
NRF nummer: 3395043
LVI nummer: 3304021

Specifikation

Maks. flow (l/s): 10.4
Materiale: AISI 316L
Materiale (EN): EN 1.4404
Udløbsdiameter (mm): 110
Vandlukkehøjde (mm): 89
Vinkel (°): 87,5
Vægt (kg): 1,49

Godkendelser

 AUS - WMKT00204 - 24

 DK VA 2.41/19631 P-Vandlås dim 50, 75, 110, 125, 160mm



HACCP Food Safety Programme - Australasia



HACCP Food Safety Programme - Europe



NO - 0692-22 EuroPipe



US - IAPMO File No.3247-EuroPipe

ABS - LD1716353-PDA

Bureau Veritas - 03456-H0, ShipDrains

Bureau Veritas, 02375-I0 Pipes & Fittings

DNV - TAP0000023-rev4, Sanitary discharge pipes

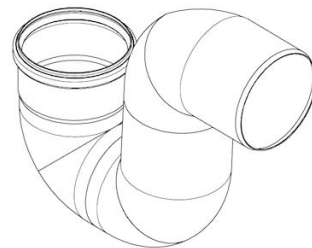
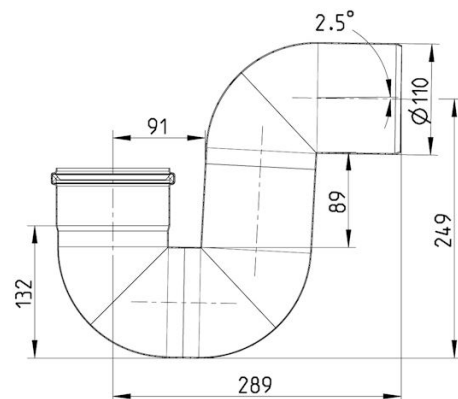
KR - Type Approval CPH42135-PE001

Lloyds Register LR22419510TA

MARINE - R4547 NATO CODIFICATION SYSTEM

PL - Hygienic Certificate - All Products

RS - 22.10017.262 BLÜCHER Marine Drains Type approval



BLÜCHER®