

ALN 081306



Sample image

Order symbol : ALN 081306

Product nr : 7811150

UL Name : ALN UL 081306

Description : Enclosure, aluminium

Remarks : Aluminium

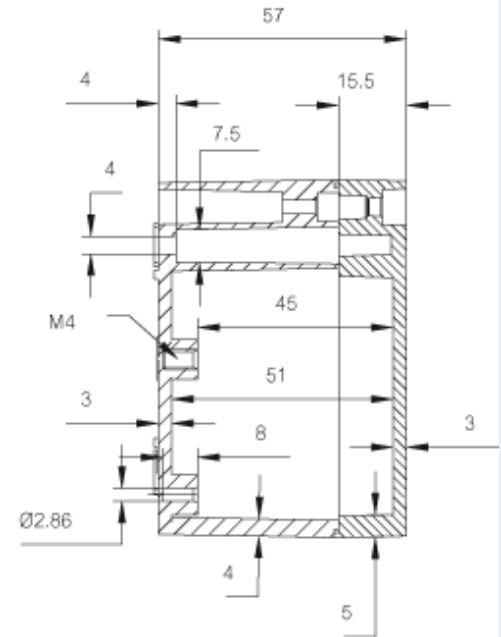
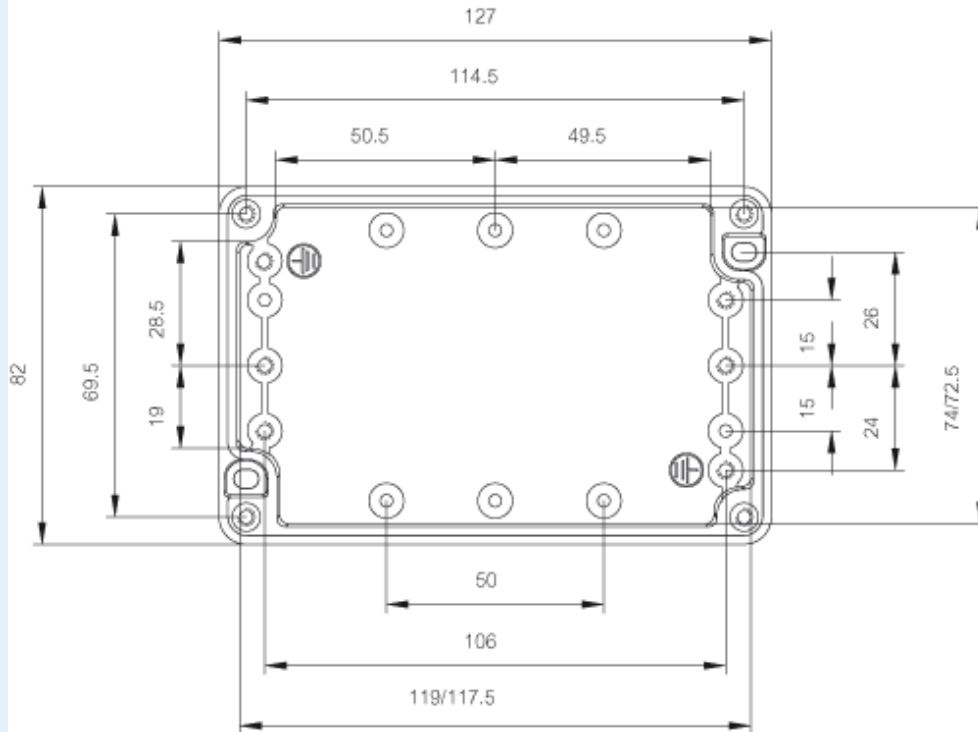
EAN : 6418074016072

El. number :

- Finland : 3420045
- Denmark : 8212045651
- Sweden : 2500908

Including : Base with screws for mounting plate/DIN-rail. cover with PUR gasket and stainless steel cover screws.

127 x 81 x 51



Dimensions : **Height** **Width** **Depth**

mm : 81 127 57
inch : 3.19 5 2.24

Materials :

Accessories :

ARM 0813 DIN-15 Mounting rail, for enclosures:
(115 x 35 x 7)
MR 75003 Selftapping taptite screw M3, for enclosures:
AM 0813 Mounting plate, for enclosures:
(69 x 114 x 1.5)
MRS 28540 Wall fastening lug (2 pcs), for enclosures:

Material :	Aluminum
Base colour :	RAL_7001
Cover colour :	RAL 7001
Gasket material :	Polyurethane

(11 x 42 x 1)

Temperatures :

Temperature °C (continuous) :	-50 ... 80
Temperature °F (continuous) :	-60 ... 175

Ratings :

Ingress protection (EN 60529):	IP66; IP67; IP68;
Impact Resistance (EN 62262):	IK08;
electrical_insulation :	Not insulated
Halogen free (DIN/VDE 0472, Part 815) :	Yes
UV resistance :	UL 746C
UL Type	NEMA__1_4_4X_6_12_13

Certificates :

SGSFIMKO_ALU