

For mounting pipework with an elastomer insulation to the wall or ceiling to prevent thermal losses.

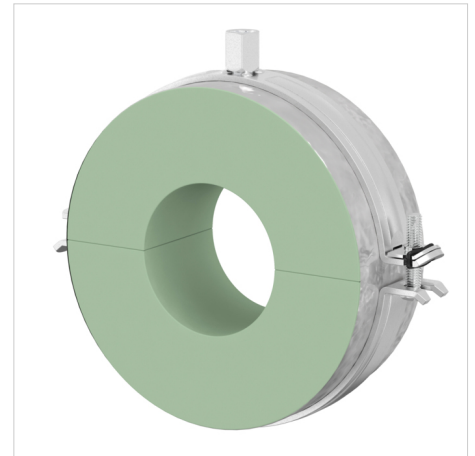
Advantages

- Insulation casket wider than clip, which makes it easier to tape it to the insulation of the tube.
- All clips are fitted with two cross head screws.
- Clips fitted with quick-locking system and bolts designed not to fall out during installation.

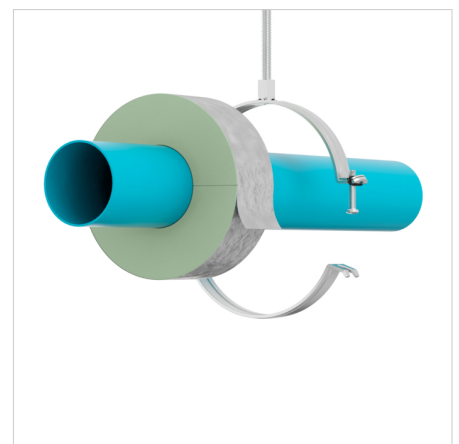
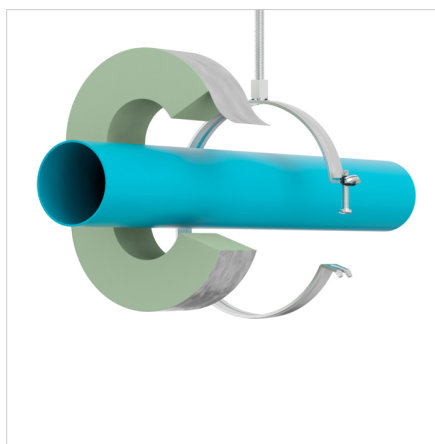
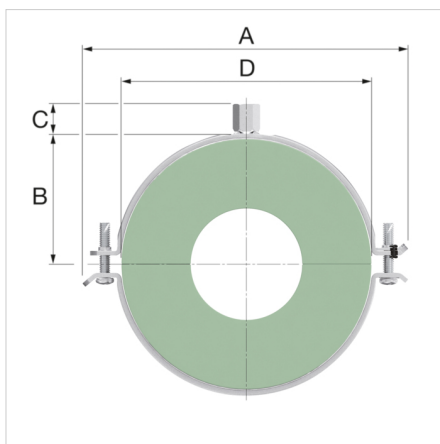
PIR density 80 kg/m³.

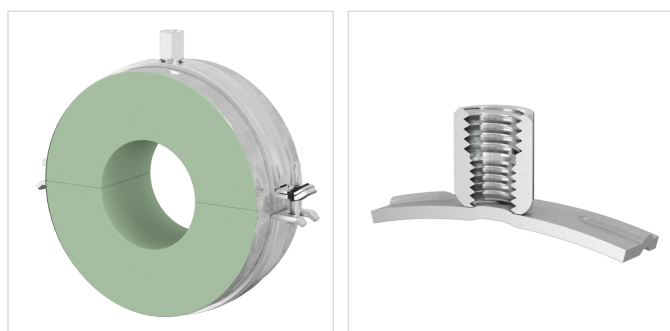
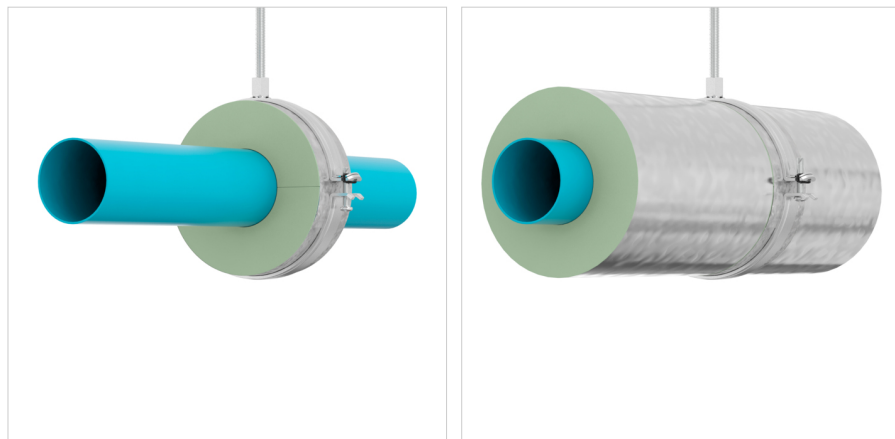
Technical Specifications

- Clip: electrolytically zinc plated.
- Insulation: 20 mm hard PIR insulation, coated with an aluminum foil.
- Connection: M 8/10.
- Insulation width: 50 mm.
- PIR density 80 kg/m³, PIR pressure resistance 0,65 N/mm².
- Suitable for temperatures from -200 °C up to +120 °C.
- Thermal conductivity: maximal 0.029 W/(m.K).
- Vapour permeability: 30.000 µ.



Description	FlamcoFix CC20 clip M8/M10 x 28mm	
Order Code	39723	
Model	<u>CC Clips - 20 mm</u>	
Ø pipe	Ext. dia. [mm]	28
	Nom. ["]	3/4
Max. vertical working load [N]	191	
Strip dimensions [mm]	20 x 1.5	
Dimensions	A [mm]	107
	B [mm]	35
	C [mm]	15
	D [mm]	68





Classification General Data

Etim Group

Etim Class

Product Name FlamcoFix CC20 clip M8/M10 x 28mm

Brand Flamco

Product Type M8-M10 x 28

Order Code 39723

Find more information online:

[Thermal length change](#)

[Dimensions and weights of tubes](#)

[Packaging data](#)