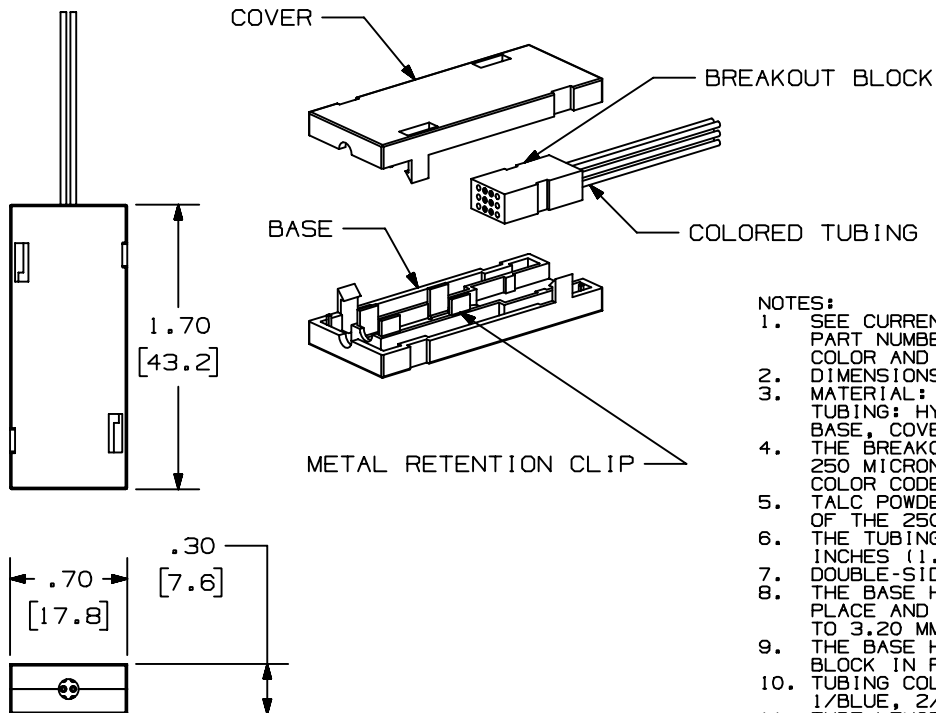


THIS COPY IS PROVIDED ON A RESTRICTED BASIS AND IS NOT TO BE USED IN ANY WAY DETRIMENTAL TO THE INTERESTS OF PANDUIT CORP.



PANDUIT P/N	WEIGHT
F06CB	.44 LB/10 PCS (220 g/10 PCS)

- NOTES:
- SEE CURRENT CATALOG FOR ADDITIONAL PART NUMBER SUFFIXES TO INDICATE COLOR AND OR PACKAGE QUANTITY.
 - DIMENSIONS IN PARENTHESES ARE IN METRIC.
 - MATERIAL:
TUBING: HYTREL
BASE, COVER AND BREAKOUT BLOCK: ABS
 - THE BREAKOUT BLOCK TUBE ASSEMBLY WILL ROUTE 250 MICRON FIBERS INTO INDIVIDUAL, 900 MICRON COLOR CODED BUFFERED TUBES.
 - TALC POWDER IS PROVIDED TO FACILITATE THREADING OF THE 250 MICRON FIBERS THROUGH THE COLORED TUBING.
 - THE TUBING WILL WITHSTAND A MINIMUM BEND RADIUS OF .51 INCHES (1.3 CM) WITHOUT ANY BREAKS OR KINKS.
 - DOUBLE-SIDED TAPE WILL IS PROVIDED FOR SECURING THE BASE.
 - THE BASE HAS A METAL RECTANGLE CLIP TO HOLD THE LOOSE TUBE IN PLACE AND WILL ACCEPT INDUSTRY STANDARD LOOSE TUBE FROM 2.00 MM TO 3.20 MM IN DIAMETER.
 - THE BASE HAS A CAVITY FOR HOLDING AND LOCKING THE BREAKOUT BLOCK IN PLACE.
 - TUBING COLOR CODE PER BELLCORE STANDARDS:
1/BLUE, 2/ORANGE, 3/GREEN, 4/BROWN, 5/SLATE, 6/WHITE
 - TUBE LENGTH IS 36" ±1.00".

CAD FILENAME/LAYERS M00526AB_DC_00A.PRT

PANDUIT CORP. TINLEY PARK, ILLINOIS

FIBER OPTIC 6 TUBE FAN-OUT KIT (F06CB) CUSTOMER DRAWING

UNLESS OTHERWISE SPECIFIED, DIMENSIONAL TOLERANCES ARE:
(.X) ± (.XXX) ±.010(.3)
(.XX) ±.03(.8) ANGLES ±

UNLESS OTHERWISE SPECIFIED, ALL DIMENSIONS ARE GIVEN IN INCHES, THIRD ANGLE PROJECTION.

DRAWN BY JBA

MAT'L:

SCALE NONE

DATE 6-29-99

SEE NOTES

DRAWING NO. 00526-04

DWG

SIZE

REV	DATE	BY	CHK	DESCRIPTION	ECN	CHK	CUST	SUP
R	6-29-99	JBA		RELEASED TO PRODUCTION.	00526-04			