



LUA

Basin mixer, projection 118 mm, fixed spout, with pop-up waste, chrome

Acoustic level (dB) : Group 2 (20-30 dB)

Aerator type : Honeycomb

Annual energy consumption (kWh/p.a.) :  
253.02

Application : Basin

Cold water starts in the central position to save energy

Faucet type : Single-lever

Faucet type : Single-lever

Finish : Chrome

Fixed spout

Flexible supply hoses included

Flow rate (l/min - 3 bar) : 5.7

Handle position : Top

Installation type : Deck-mounted

Pop-up waste

Spout length (mm) : 118

Spout position : Central

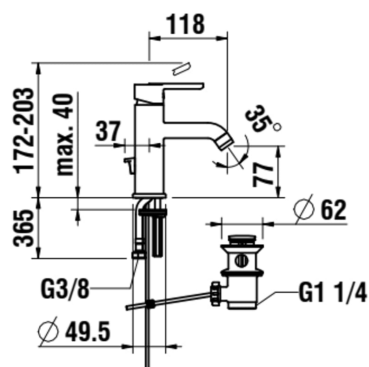
Type of cartridge : Ceramic headwork

Waste type : Pop-up waste

Water and energy-saving

Water connection diameter : 3/8"

## TECHNICAL DRAWINGS



COMPATIBLE WITH



Small washbasin, with tap  
bank right

**H815080...1061**



Small washbasin, with tap  
bank right

**H815080...1141**



Small washbasin

**H815081...1041**



Small washbasin

**H815081...1561**



Small washbasin,  
undersurface ground

**H816080...1041**



Small washbasin,  
undersurface ground

**H816080...1561**



Small washbasin

**H815082...1051**



Small washbasin

**H815082...1061**



Small washbasin

**H815082...1131**



Small washbasin

**H815082...1141**



Vanity unit, 1 door, left  
hinged, matching vanity  
washbasin H815081

**H403501112...1**



Vanity unit, 1 door, right  
hinged, matching vanity  
washbasin H815081

**H403502112...1**



## LUA

A design language that has been reduced to the essentials. Clear, geometric lines united in one continuous form. This results in a versatile bathroom programme for private and public architecture alike. With LUA, Toan Nguyen has succeeded in creating yet another stylistic bathroom culture that will be a long-term common denominator. The collection of fittings designed with the same ambition, perfectly shaped bathtubs and the extensive LANI furniture range complete LUA are turned into a true total bathroom solution.



### #certification\_text

Standards and approvals: A+