



LUA

Basin mixer Eco+ projection 135 mm, fixed spout, without pop-up waste

Acoustic level (dB) : Group 1 (Up to 20 dB)

Aerator type : Honeycomb PCA

Application : Basin

Cartridge features : Temperature limiter

Cold water starts in the central position to save energy

Faucet type : Single-lever, Single-lever

Finish : Chrome

Flow rate (l/min - 3 bar) : 4.2

Installation type : Deck-mounted

Material : Others

Neck height : Standard

Net weight (kg) : 1.1

Spout included

Spout position : Low

Standards and approvals : A

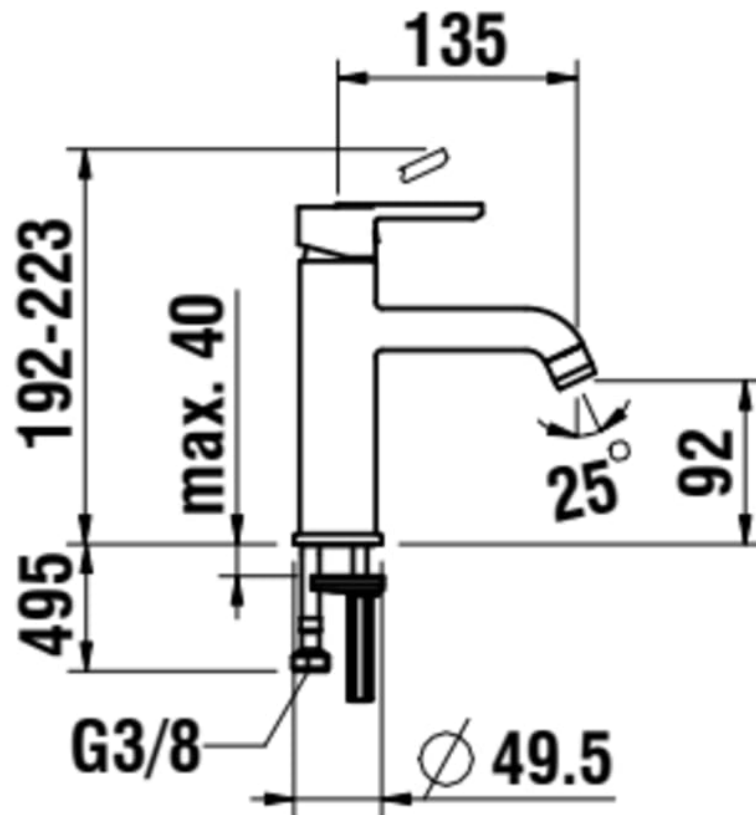
Waste type : Waste not included

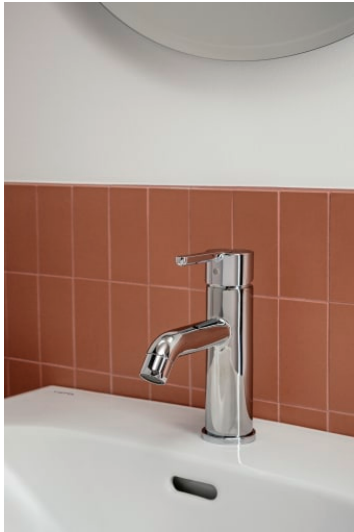
Water and energy-saving

Water connection diameter : 3/8"

Water outlet height : 92

TECHNICAL DRAWINGS





## LUA

A design language that has been reduced to the essentials. Clear, geometric lines united in one continuous form. This results in a versatile bathroom programme for private and public architecture alike. With LUA, Toan Nguyen has succeeded in creating yet another stylistic bathroom culture that will be a long-term common denominator. The collection of fittings designed with the same ambition, perfectly shaped bathtubs and the extensive LANI furniture range complete LUA are turned into a true total bathroom solution.

