

KARTELL LAUFEN

Single lever basin mixer, projection 115 mm, fixed spout, without pop-up waste, chrome



Acoustic level (dB) : Group 1 (Up to 20 dB)

Aerator type : Honeycomb PCA

Application : Basin

Finish : Chrome

Fixed spout

Flexible supply hoses included

Flow rate (l/min - 3 bar) : 5.3

Installation type : Deck-mounted

Net weight (kg) : 1.03

Spout length (mm) : 115

Spout position : Central

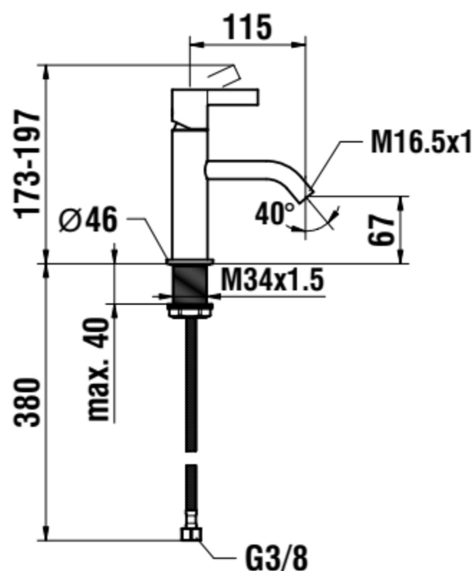
Standards and approvals : A

Type of cartridge : Ceramic Disc

Water and energy-saving

Water connection diameter : 3/8"

TECHNICAL DRAWINGS



COMPATIBLE WITH



Single lever basin mixer,
projection 115 mm, fixed
spout, with pop-up waste,
chrome

H3113310041011



Kartell LAUFEN

A place for divas. And deep dives. This is the story about a place of unknown beauty. Designed for humans, shaped by the elements. Far away from your everyday life. But every morning you will ask yourself: Have I been here before? Or is this just a dream?

