

# Simon|24

Harmonie



Harmonious  
Combination

**simon**





# Harmonie

Elegant and Sophisticated Collection  
That Exudes Radiance



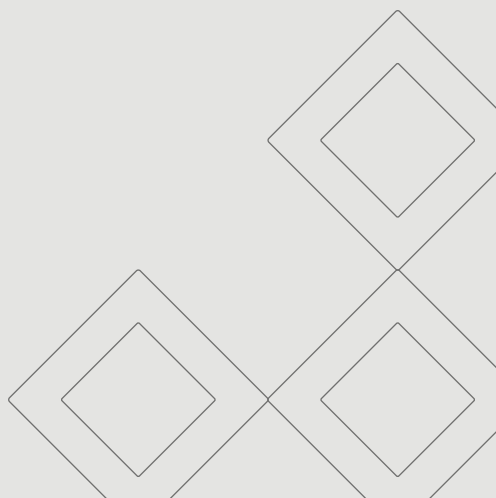
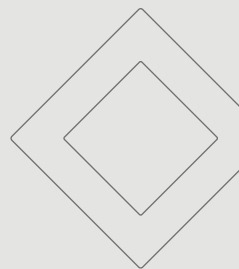


| 24  
SIMON

A mechanism that ensures more reliable installation,  
which is now done two times faster

x2

Two times faster



## Harmonious Combination

Sometimes elegance is manifested not only in the external design, but also in functionality. It's nice to find that everything fits perfectly, turns on and off without a hitch, and interior elements are not only reliable, but also pleasing to the eye. In other words, when they blend harmoniously with the interior.

Simon presents Harmonie 24, a series whose essence lies in the combination of aesthetics and functionality. Harmonie is a collection inspired by the landscapes and textures of a space full of contrasts. Simon 24 is a mechanism designed to ensure efficient operation in a wide variety of environments.

Aesthetics and functionality. Functionality and aesthetics. Two concepts that are harmoniously blended in a particular space.

Harmonie 24, when everything is in its place.





Harmonie





# Collection



# Harmonie

When all elements are harmoniously integrated into the surrounding space, an effect occurs that we call the Harmonie effect. When everything is in its place. When nothing is superfluous. That is why Simon has perfected its products to create an impression of complete harmony and bring brilliance and sophistication to the interior thanks to the products designed in a very elegant and restrained style.





## Flat forms fit perfectly into the interior



Almost flat frames are in harmony with the wall, creating the impression of complete integration into the surrounding space.

The inspiration for the Simon 24 Harmonie collection is the perfect balance between aesthetics and functionality, elegance in the full sense of the word. An element that is perfect for any space thanks to the versatility and sophistication of the two collections.



# RADIANT

When practice meets elegance,  
harmony of the elements is born.



# ESSENCE





WHITE



GRAPHITE

# ESSENCE

## **BASIC COLLECTION**

A collection that opens up many opportunities and interconnects the elements of the entire series. Reliable choice.





ALUMINIUM / WHITE



ALUMINIUM / GRAPHITE



## RADIANT

Expand your possibilities in a sophisticated manner. A series that makes any space sparkle due to special attention to the smallest details.



GOLDEN / WHITE



GOLDEN / GRAPHITE



CHAMPAGNE / WHITE



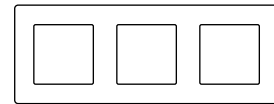
CHAMPAGNE / GRAPHITE

# MULTI-POST FRAMES

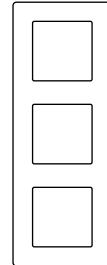
AN ELEGANT SOLUTION  
IN THE HARMONIE 24 SERIES

Multi-post frames offer an optimal solution. With this option, various mechanisms are conveniently combined into a single unit. One frame, variety of mounting boxes and wide functional capabilities.





Multi-post frames offer versatility: they can be installed horizontally and vertically.



# Mechanism | 24

SIMON

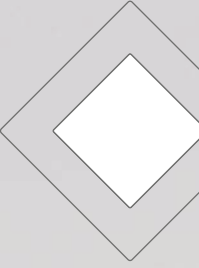




# The Real Revolution

24  
Harmonie

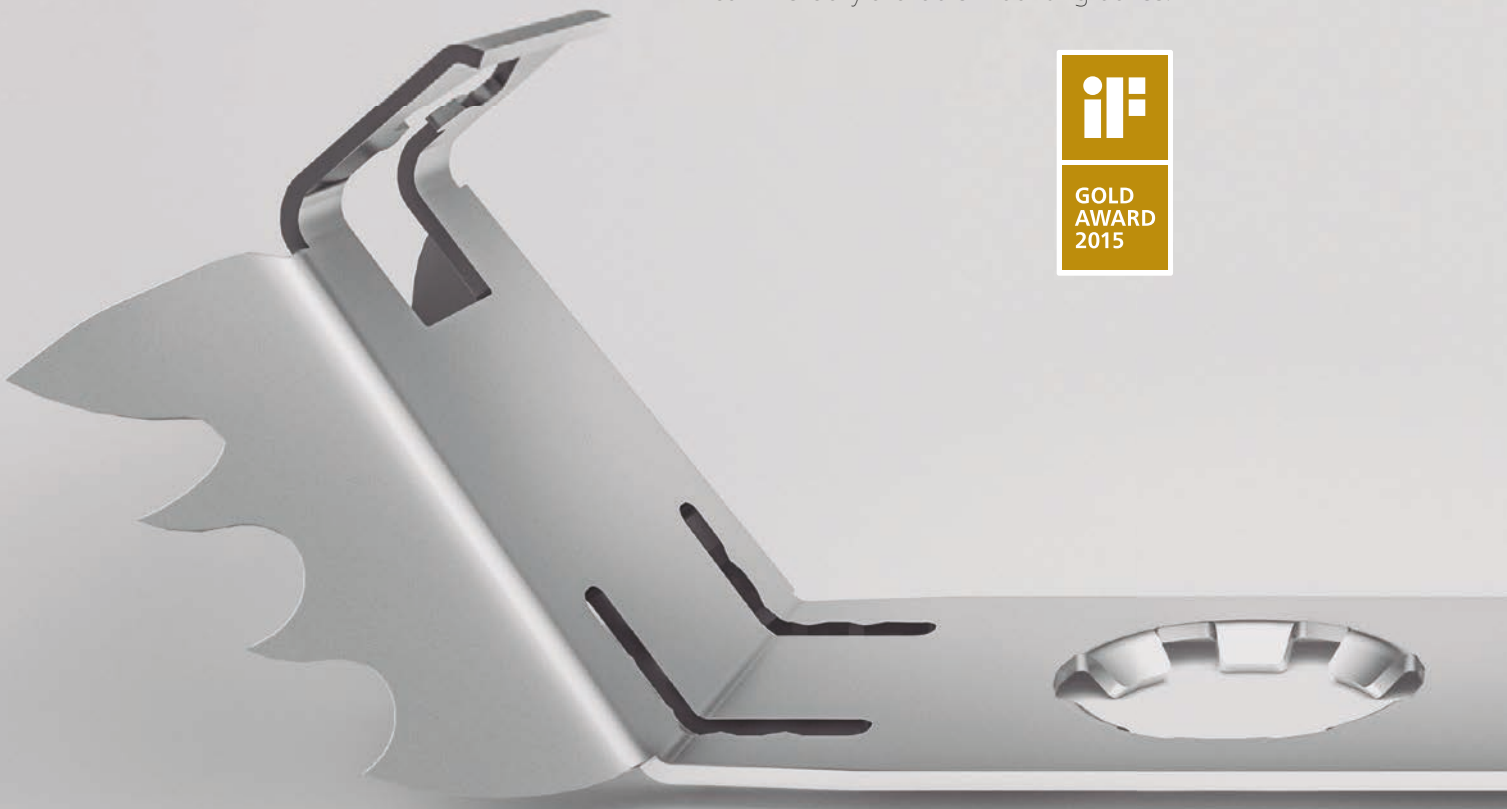
PUSH  
&GO

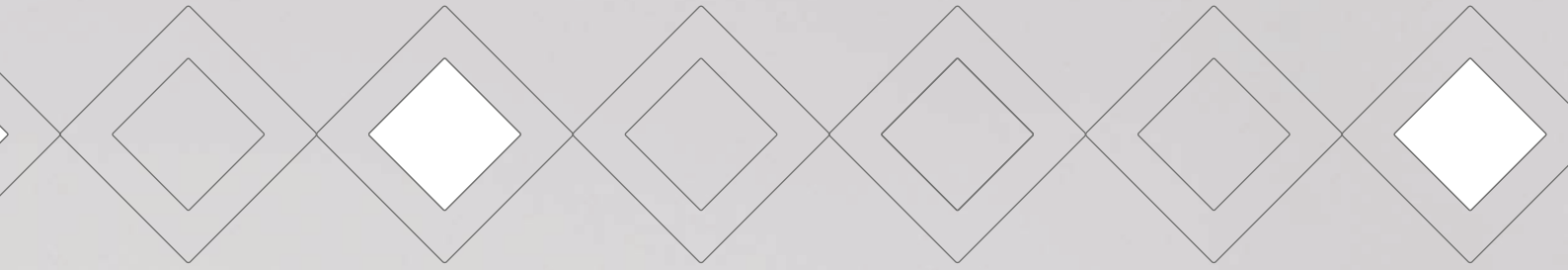


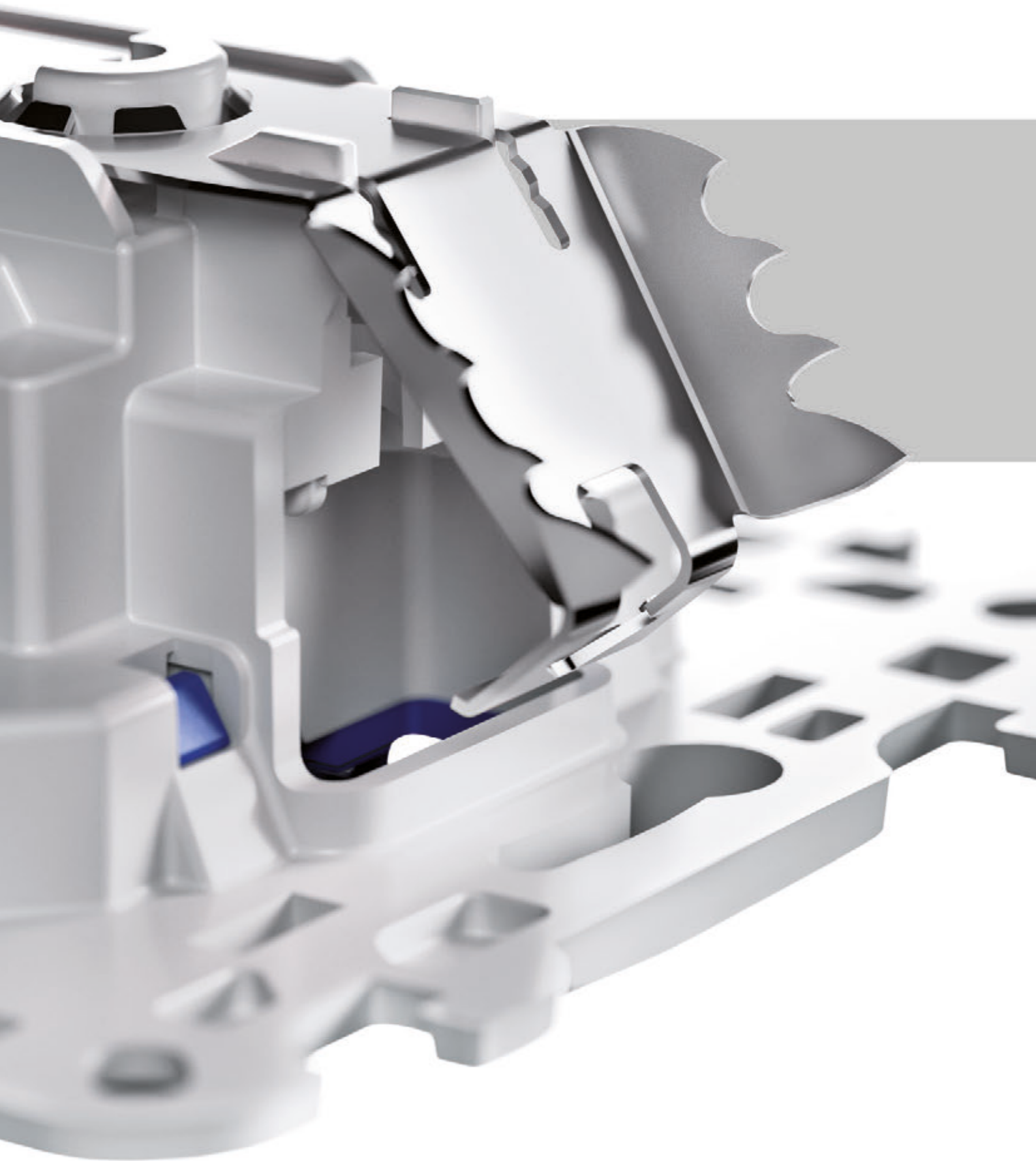
## A System that Creates Complete Harmony

The main innovation in the Simon 24 mechanism is the Push&Go system, a unique development that allows you to cut installation time in half; the connection provides greater reliability than screw fixation while maintaining the same level of safety.

In addition, reliable fixation is ensured, alongside with compatibility with any commercially available mounting boxes.

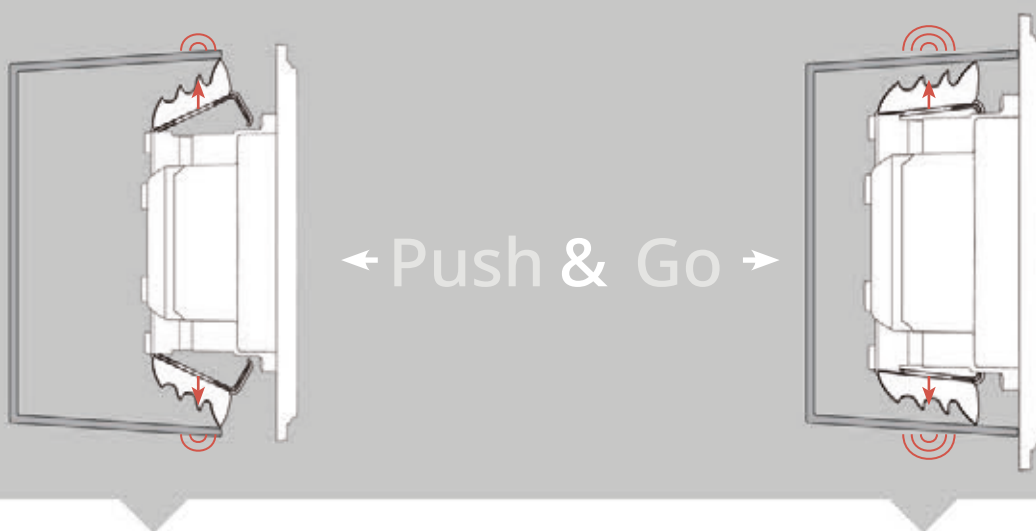






# How does it work?

Push&Go is a mechanism fixation system with convenient teeth that ensure its trouble-free installation in any mounting box.



As you press down, the teeth compress and ensure fixation in the mounting box.

In the fixed position, the holding force of the teeth prevents the mechanism from falling out. When you try to pull out the mechanism, the hold-down pressure of the teeth increases, which strengthens the fixation of the mechanism.

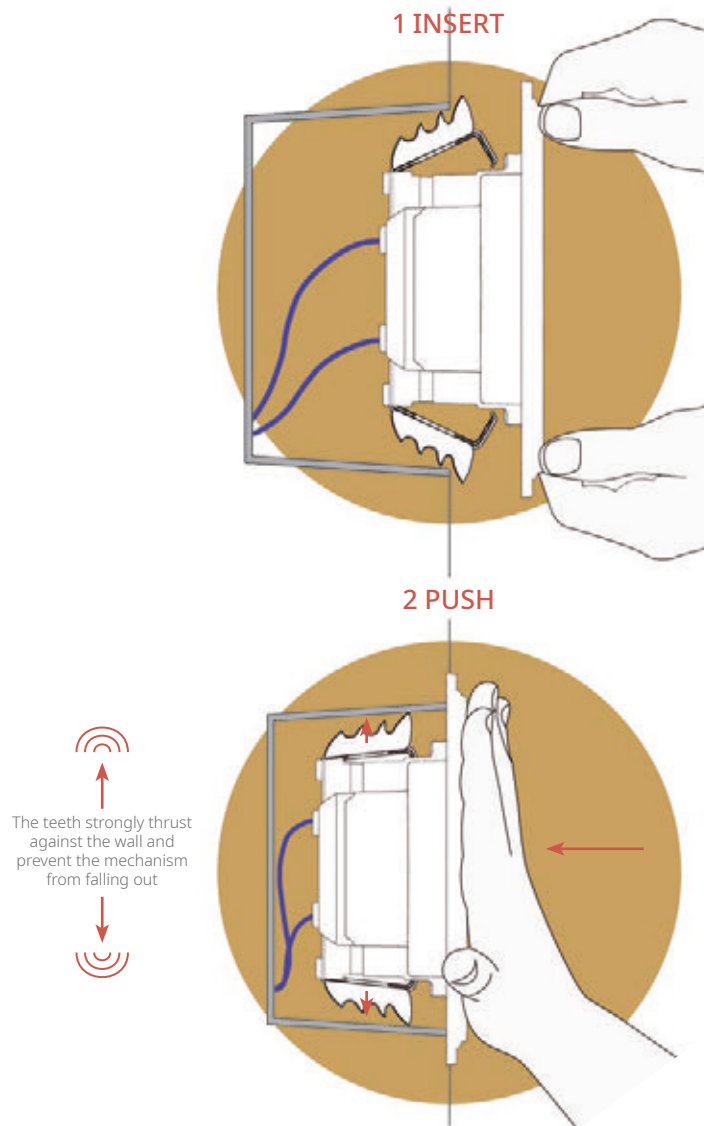
## Increased Reliability, Convenient and Fast Installation

### INCREASED RELIABILITY

- Trouble-free installation that guarantees complete security without screwing the mechanism to the wall.
- Time saving.
- For convenience, there is the possibility of additional screwing to the wall.

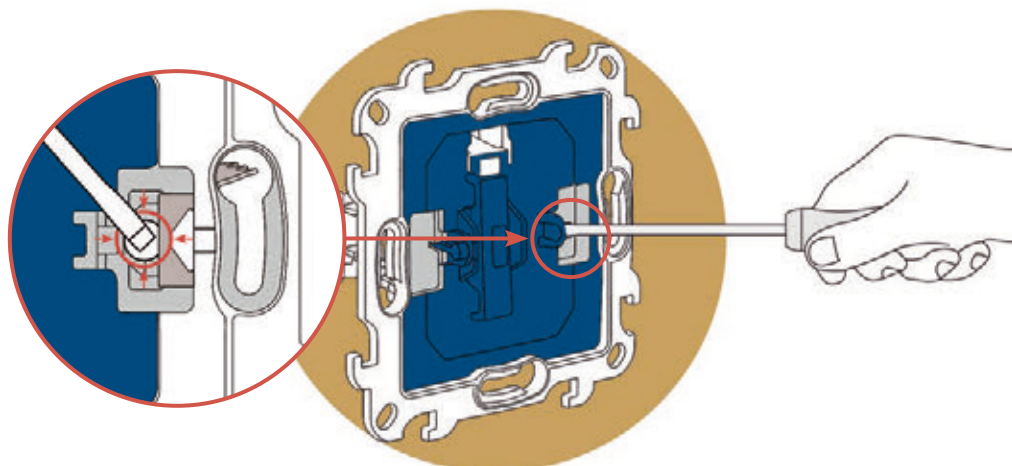
## FAST AND CONVENIENT INSTALLATION

When mounting conventional mechanisms, a lot of time is spent on fixation or screwing of mounting brackets.  
When using the Simon 24 mechanism, the entire installation procedure is carried out in a blink of an eye.



### 3 ADDITIONAL FIXATION

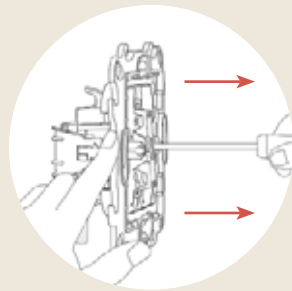
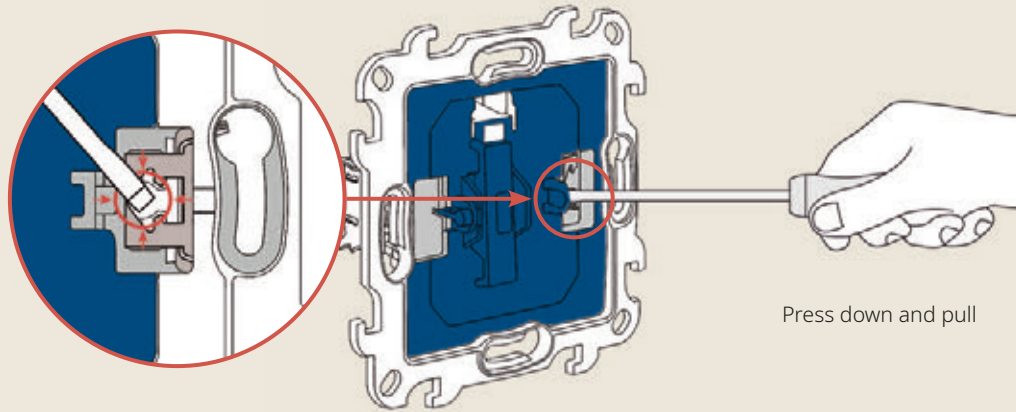
Screwing is not required, just press into the holes. Fixation is important for proper installation.



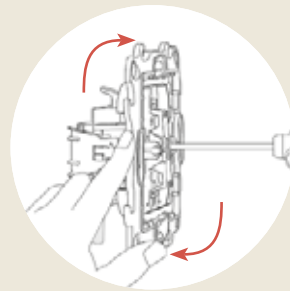
(This is not required for Simon square boxes)

## EASE OF REMOVAL AND ALIGNMENT

If you need to remove or align the mechanism, just insert a screwdriver into the hole in the direction of the arrow and



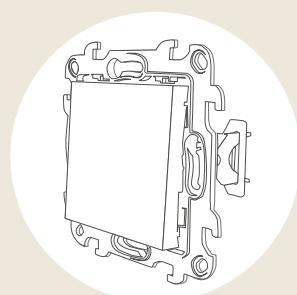
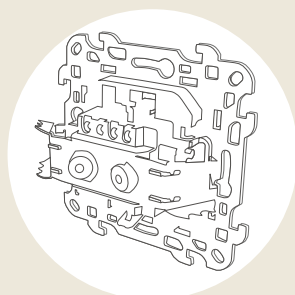
A Remove the mechanism.

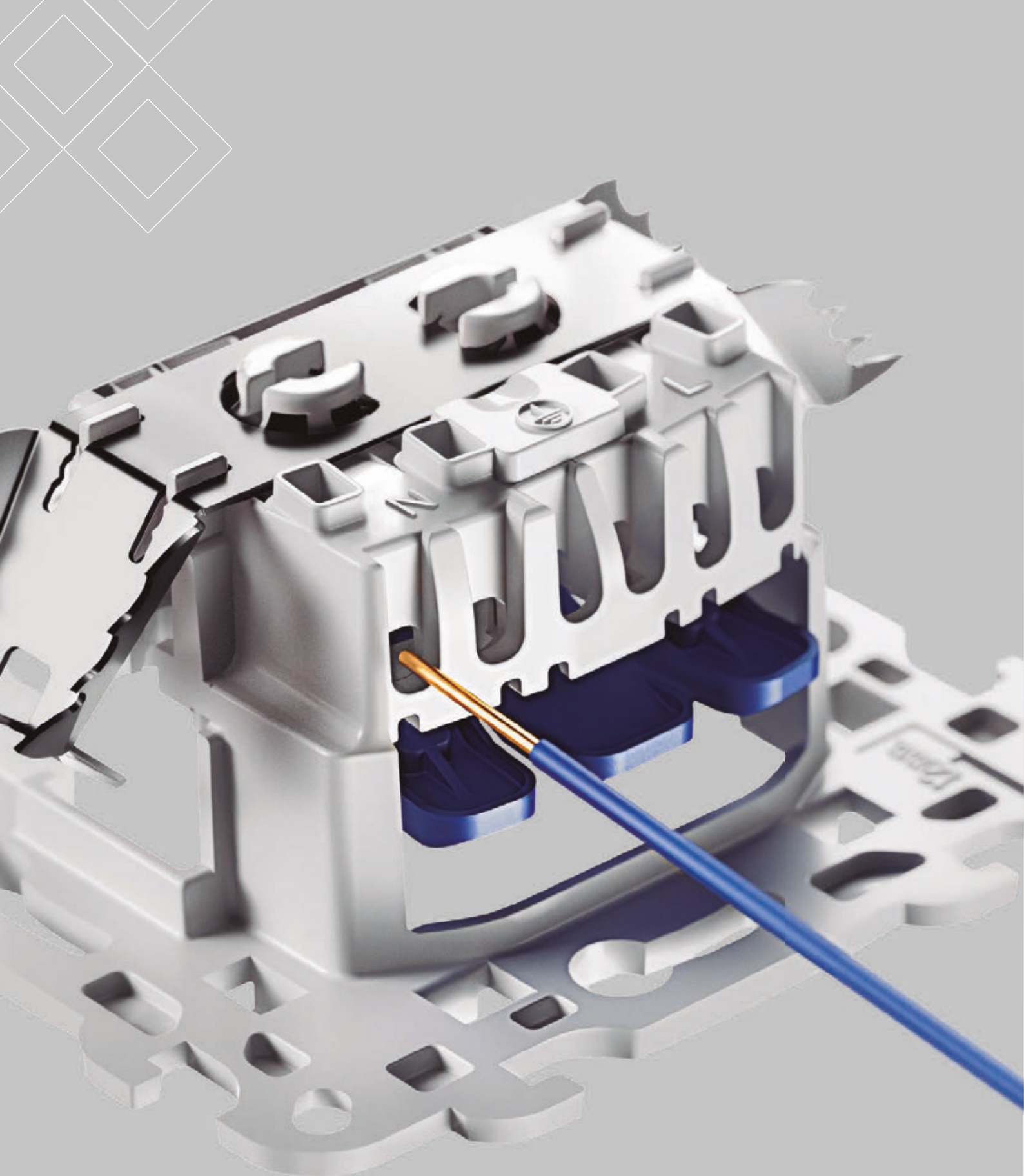


B Align and fix it in place.

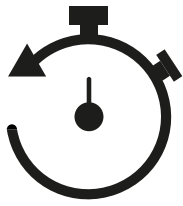
## Compatibility with Any Commercially Available Boxes

The Simon 24 Harmonie is available with two types of mounting brackets: with the innovative Push&Go system (faster, safer, easier installation) and with standard mounting brackets.





24  
| Harmonie



# Fast Connection

## Time saving Increased Reliability Improved comfort

With such an advanced system, the connection is made much faster, it is reliable and convenient for any type of installation.

### INCREASED RELIABILITY

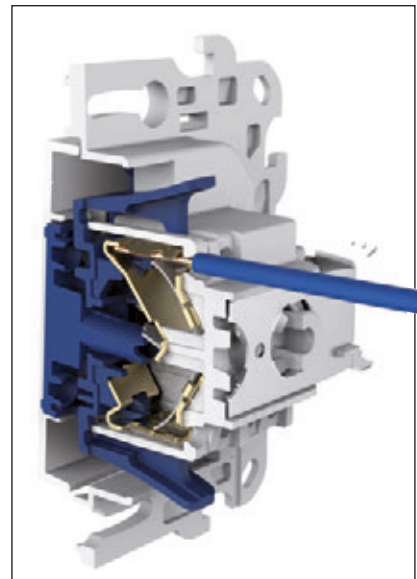
Improved system for rigid wires, successfully tested in European countries and characterized by high reliability:

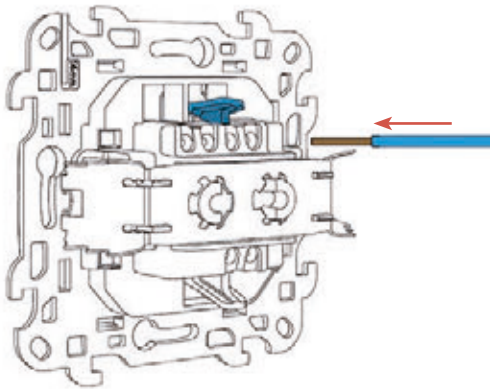
- Provides reliable clamping.
- Unlike screw terminals, connection strength is not compromised.
- Prevents incorrect connection.

### TIME SAVING

After stripping the ends of the wires, just insert them into the clamps, following the instructions on the mounting box.

In addition, the system is designed for both solid and stranded wires.



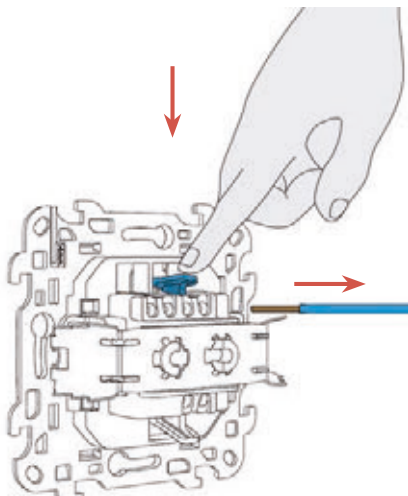
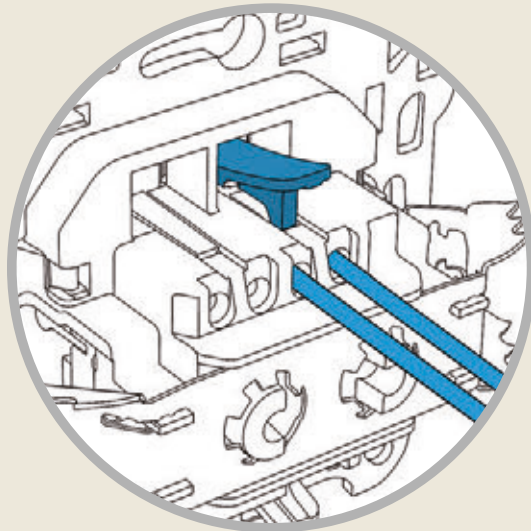


## IMPROVED COMFORT

With the new Simon 24 mechanism, there is no need to tighten screws. Such a revolutionary design that eliminates screw terminals allows you to experience a whole new level of comfort.

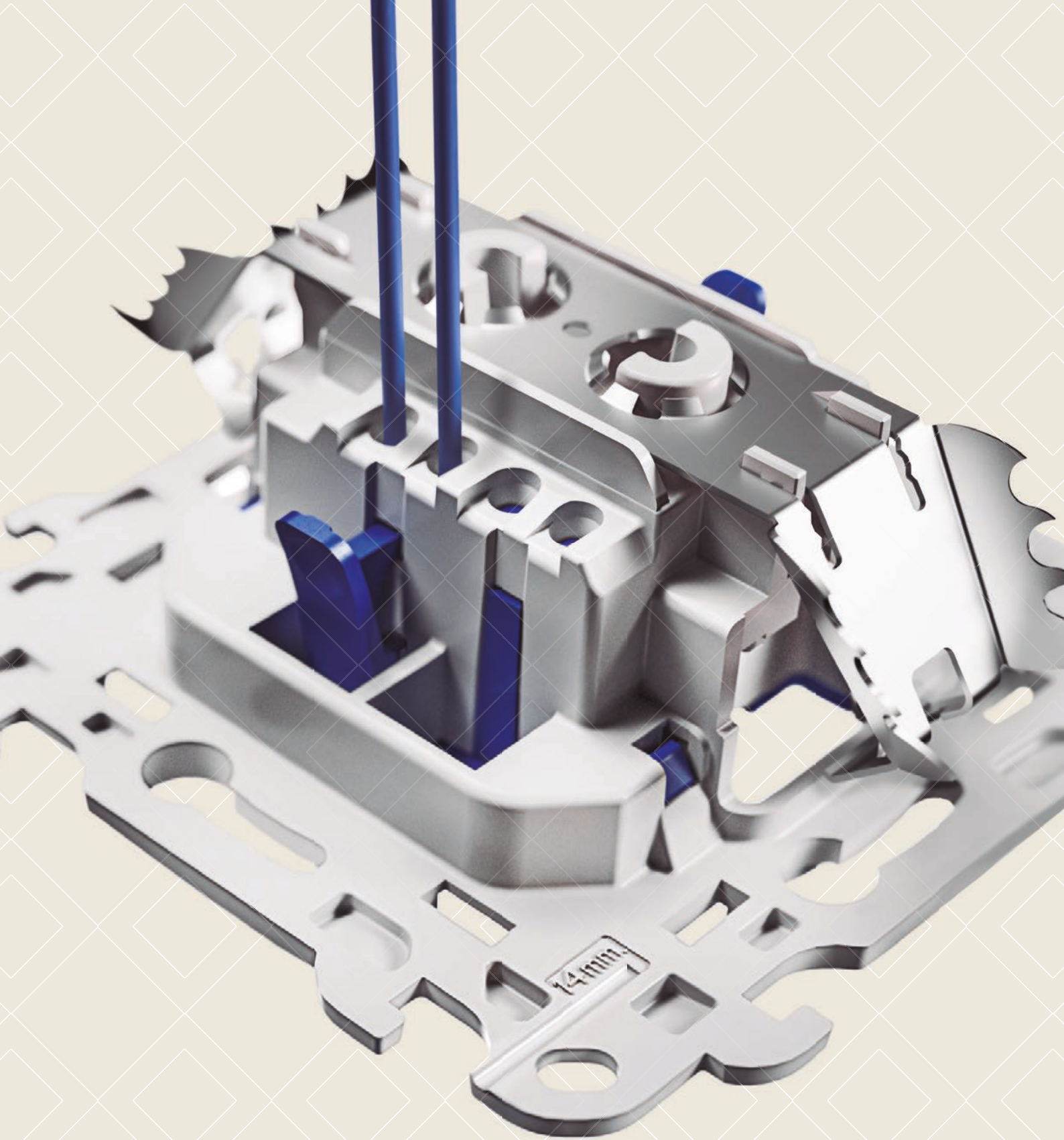
## SIMPLIFIED INSTALLATION

In case you need to connect two wires to one terminal, a separate hole is provided for each of them, so there is no need to twist wires.



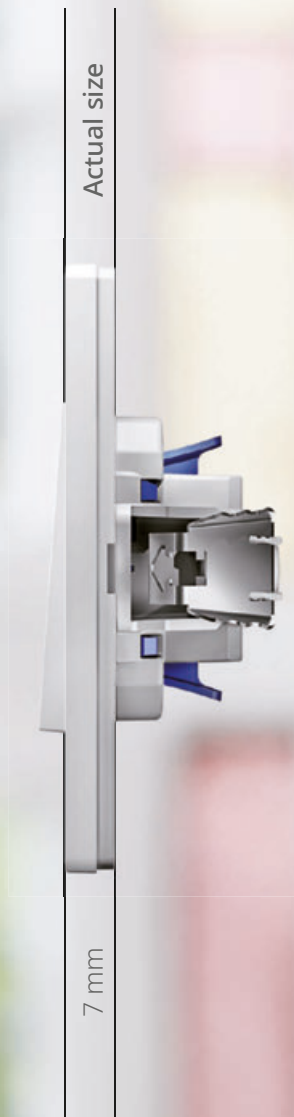
## EASY DISCONNECTION

To disconnect, just press the lever and disconnect the wire.



# Elegance and Sophistication of Forms

**SMOOTH AND SILENT  
MECHANISM**



- Gentle touch.
- Extremely quiet click.
- Designed to withstand inductive loads
- Shorter key travel.



In order to achieve maximum aesthetics of its products, Simon relies on mechanisms that protrude less from the wall and, accordingly, have a smaller key tilt angle and a shorter key travel.

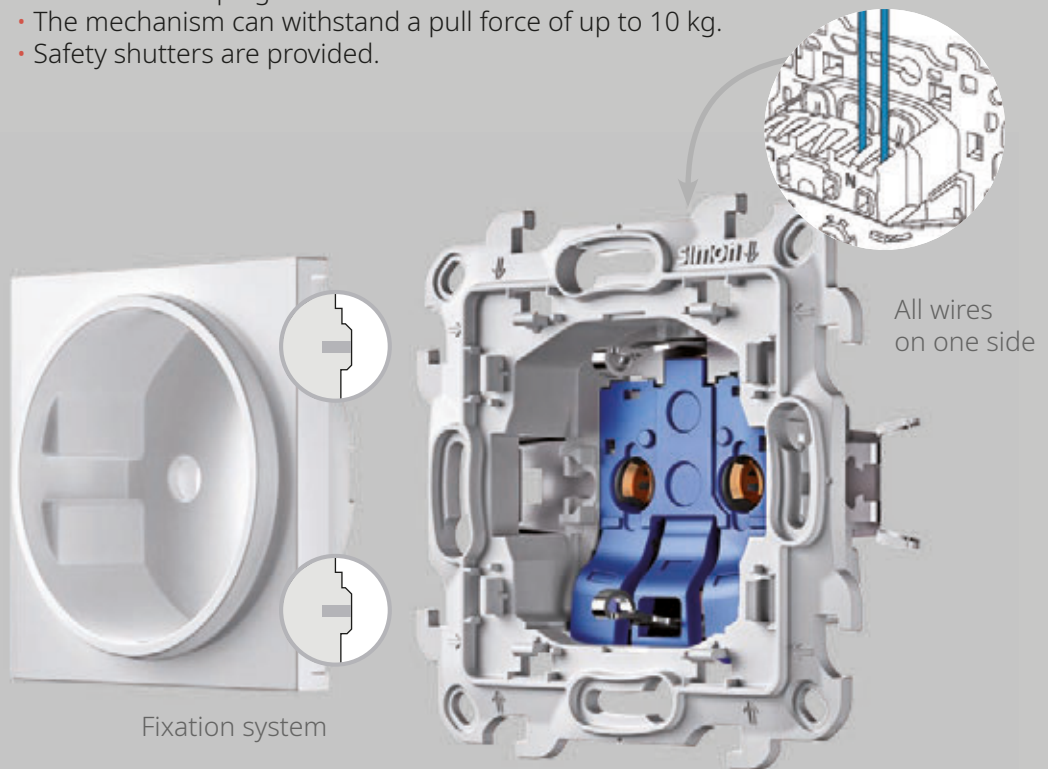
In accordance with the installation requirements, safety shutters are used for all mechanisms

# The Simon 24 Mechanism: What Else Makes it Unique

## SOCKET. MAXIMUM COMFORT

Provides maximum comfort and ease of installation:

- Wire entry on one side.
- Cover plate with clamps that set the required extraction force (the screw is hidden).
- Ease of unclamping without the need to dismantle the socket.
- The mechanism can withstand a pull force of up to 10 kg.
- Safety shutters are provided.



## IP44: PROTECTION AGAINST MOISTURE AND DUST

The Simon 24 mechanism, with an IP44 socket protection rating, is designed for installation in places where protection against moisture and dust is required.

In addition, the Simon 24 mechanism can be used for the installation of a block of two electrical outlets.



## IMPROVED FRAME FIXATION

The frame of the Simon Harmonie 24 mechanism has a system of multi-position rack and pinion clamps that ensure a snug fit to the mounting box and compensate for any wall irregularities.

### CONVENIENCE AND EASE OF REMOVAL

- Ease and freedom of removal due to the presence of a small groove.
- The integrity of the wall and interior is not disturbed.



## DURABLE MATERIALS

### MOUNTING BOX:

A technical polymer that, thanks to its high strength:

- Ensures the integrity of the mechanism, even when fixed by screws.
- Ensures correct fixation in the mounting box both with screw fixation or mounting brackets.
- Eliminates the need for cutting during installation.
- Perfectly adjustable, aligning the position of any mechanisms.
- The shape is well preserved: no deformation during installation or operation.

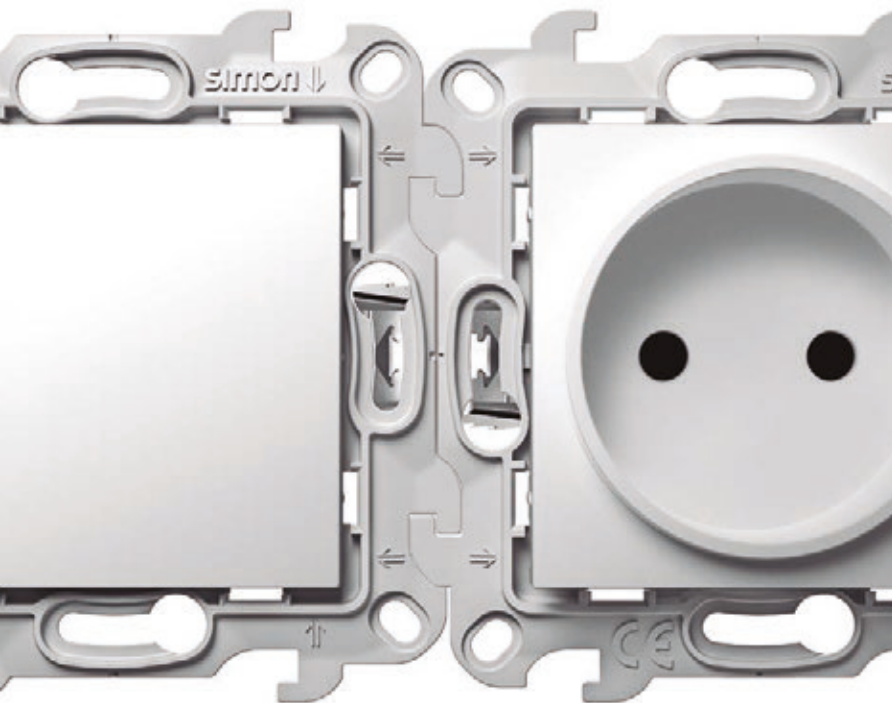
### FRAMES AND KEYS

- Made of polycarbonate, whose properties do not deteriorate during operation.

## MULTIPLE MECHANISMS.

### ONE FRAME

Multi-post frames offer an optimal solution. With this option, various mechanisms are conveniently combined into a single unit. Multi-post frames are multi-purpose. They can be installed horizontally and vertically.

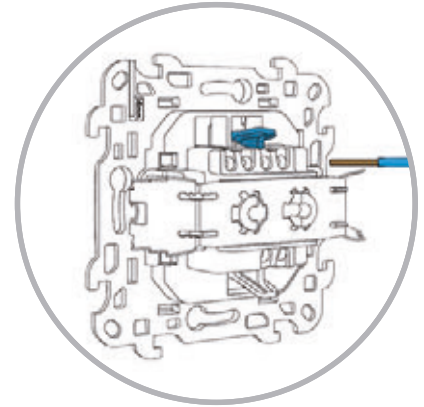
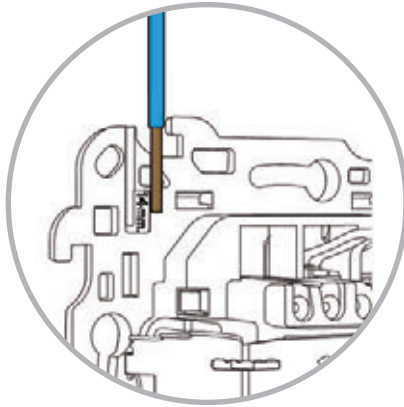




# Installation is Done in a Quick, Easy and Reliable Manner

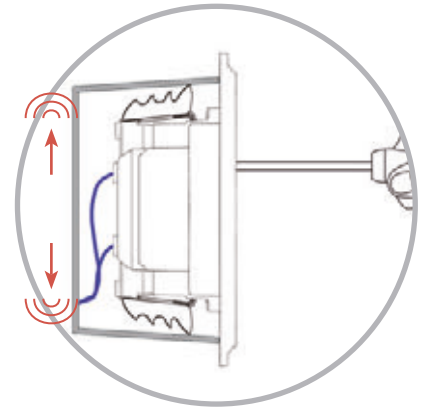
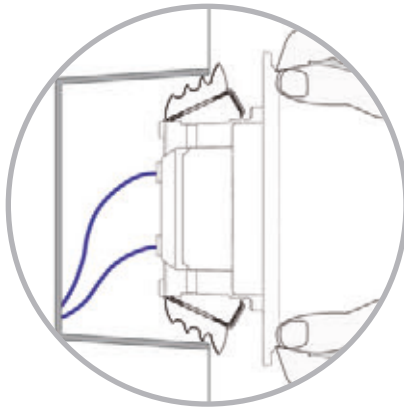
## 1 CABLE CONNECTION.

Strip the end of the wire as it is required for a particular mechanism, and insert it into the clamp.



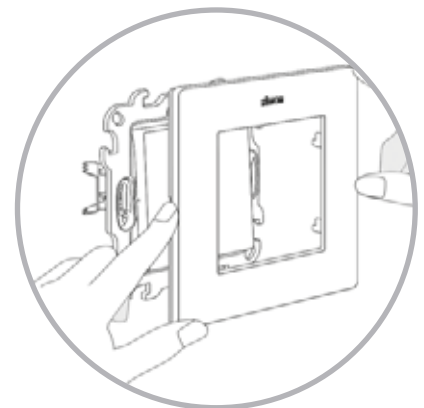
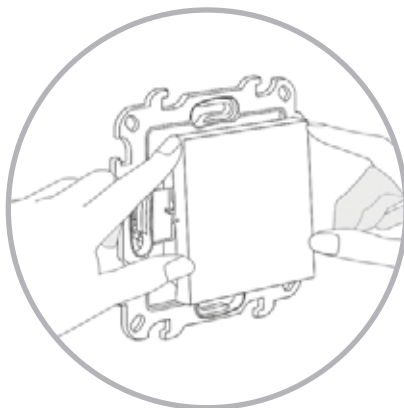
## 2 FIXATION.

Insert the mechanism into the mounting box and push it in.



## 3 LATCHING.

The key and frame are fixed by simple pushing.



# Reliable installation that is done two times

x2

Two times faster

REDUCTION OF INSTALLATION TIME BY 40%



The kit contains three separate components that are partially assembled and not connected together.

## INSTALLATION TIME

The results of laboratory tests in real conditions\* to determine the duration of installation have proven to be convincing.

Harmonie 24



Standard



■ Fixation ■ Latching

\* Comparative study with the use of mechanisms with screw fixation and mechanisms with mounting brackets.

# Simon|24

Harmonie

**HARMONIOUS COMBINATION.  
PERFECT SOLUTION.**

A collection that offers a wide range of possibilities and is based on a mechanism that adapts flexibly to any environment. The best way to achieve harmony.

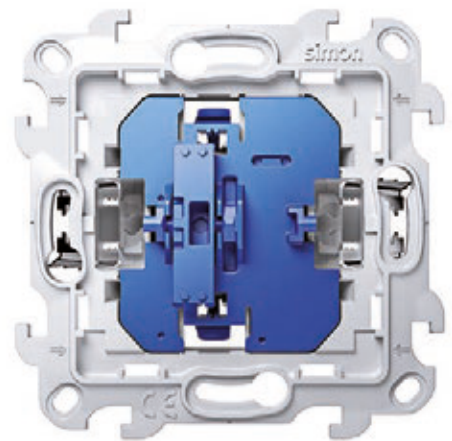




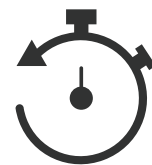
MORE RELIABLE  
INSTALLATION,  
TWO TIMES FASTER.

**x2**

Two times faster



PUSH &  
GO



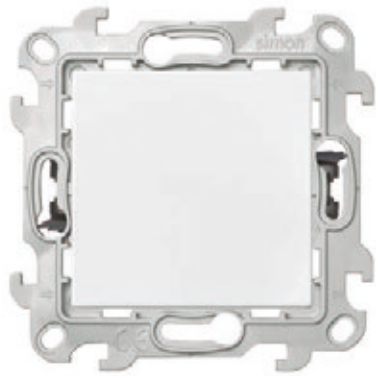
FAST  
CONNECTION



ELEGANT  
SOPHISTICATION



# COMPONENTS



1



2



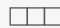

SIMON HARMONIE 24 IS AVAILABLE IN TWO COMPONENTS FOR CORRECT AND CONVENIENT INSTALLATION IN THE WALL.

# Components

The modular layout system of the ready-to-use product (mechanism with cover plate + frame) allows you to purchase and install individual components as and when necessitated.

## FRAMES

### MULTIPLE-PURPOSE FRAMES

	1 element 85 x 85 mm
	2 elements 156 x 85 mm
	3 elements 227 x 85 mm
	4 elements 298 x 85 mm

## ESSENCE



ITEM NUMBER	DESCRIPTION
<b>2400610-030</b>	Frame, 1 element, White
<b>2400620-030</b>	Frame, 2 elements, White
<b>2400630-030</b>	Frame, 3 elements, White
<b>2400640-030</b>	Frame, 4 elements, White



ITEM NUMBER	DESCRIPTION
<b>2400610-038</b>	Frame, 1 element, Graphite
<b>2400620-038</b>	Frame, 2 elements, Graphite
<b>2400630-038</b>	Frame, 3 elements, Graphite
<b>2400640-038</b>	Frame, 4 elements, Graphite

## RADIANT



ITEM NUMBER	DESCRIPTION
<b>2400610-033</b>	Frame, 1 element, Aluminium
<b>2400620-033</b>	Frame, 2 elements, Aluminium
<b>2400630-033</b>	Frame, 3 elements, Aluminium
<b>2400640-033</b>	Frame, 4 elements, Aluminium



ITEM NUMBER	DESCRIPTION
<b>2400610-034</b>	Frame, 1 element, Champagne
<b>2400620-034</b>	Frame, 2 elements, Champagne
<b>2400630-034</b>	Frame, 3 elements, Champagne
<b>2400640-034</b>	Frame, 4 elements, Champagne



ITEM NUMBER	DESCRIPTION
<b>2400610-066</b>	Frame, 1 element, Golden
<b>2400620-066</b>	Frame, 2 element, Golden
<b>2400630-066</b>	Frame, 3 element, Golden
<b>2400640-066</b>	Frame, 4 element, Golden

# Mechanisms

## CONTROL SWITCHES

### SINGLE-BUTTON MECHANISMS



ITEM NUMBER	DESCRIPTION	Terminal connection	Load current	Voltage	Cable connection
<b>2420101</b> -030 -038	Single switch	Push&Go	10AX	250V-	Screwless
<b>2420201</b> -030 -038	Two-way switch	Push&Go	10AX	250V-	Screwless
<b>2420150</b> -030 -038	Push-button	Push&Go	10A	250V-	Screwless



ITEM NUMBER	DESCRIPTION	Terminal connection	Load current	Voltage	Cable connection
<b>2420251</b> -030 -038	Intermediate switch	Push&Go	10AX	250V-	Screwless
<b>2420133</b> -030 -038	Bipolar switch	Push&Go	10AX	250V-	Screwless

### TWO-BUTTON MECHANISMS



ITEM NUMBER	DESCRIPTION	Terminal connection	Load current	Voltage	Cable connection
<b>2420398</b> -030 -038	Double switch	Push&Go	10AX	250V-	Screwless
<b>2010397</b> -030 -038	Double Two-way switch		10AX	250V-	Screwless
<b>2410151</b> -030 -038	Double push-button		10A	250V-	Screwless

### MECHANISMS WITH INDICATOR LIGHT



ITEM NUMBER	DESCRIPTION	Terminal connection	Load current	Voltage	Cable connection
<b>2420204</b> -030 -038	Two-way switch with indicator light	Push&Go	10AX	250V-	Screwless
<b>2420104</b> -030 -038	Switch with indicator light	Push&Go	10AX	250V-	Screwless
<b>2420160</b> -030 -038	Push-button with indicator light	Push&Go	10A	250V-	Screwless

## SPECIAL MECHANISMS

### CARD SWITCH



ITEM NUMBER	DESCRIPTION	Terminal connection	Load current	Voltage	Cable connection
<b>2411526</b> -030 -038	Feed-through card switch with one microswitch and indicator light Installation in combination with a contactor/relay is recommended. Card width 45-54 mm		6 (2) A	250V-	Screwless

# Socket

## SOCKET OUTLETS








ITEM NUMBER	DESCRIPTION	Terminal connection	Load current	Voltage	Cable connection
<b>2420432</b> -030 -038	Double pole socket 2P+E with safety shutters	Push&Go	16A	250V-	Screwless




ITEM NUMBER	DESCRIPTION	Terminal connection	Load current	Voltage	Cable connection
<b>2420448</b> -030 -038	Double pole socket 2P+E with Earthing, with cover and safety shutters, IP44	Push&Go	16A	250V-	Screwless



ITEM NUMBER	DESCRIPTION	Load current	Voltage	Cable connection
<b>2420441</b> -030 -038	Double pole socket 2C with safety shutters	16A	250V-	Screwless

	ITEM NUMBER <b>2450457</b> -030 -038	DESCRIPTION Double socket 2C without safety shutters	Terminal connection Mounting brackets	Load current 16A	Voltage 250V-	Cable connection Screw fixation
	ITEM NUMBER <b>2450434</b> -030 -038	DESCRIPTION Double pole socket 2P+E without safety shutters	Terminal connection Mounting brackets	Load current 16A	Voltage 250V-	Cable connection Screwless
	ITEM NUMBER <b>2450432</b> -030 -038	DESCRIPTION Double pole socket 2P+E with safety shutters	Terminal connection Mounting brackets	Load current 16A	Voltage 250V-	Cable connection Screwless
	ITEM NUMBER <b>2450459</b> -030 -038	DESCRIPTION Double socket 2C+E without safety shutters	Terminal connection Mounting brackets	Load current 16A	Voltage 250V-	Cable connection Screw fixation
	ITEM NUMBER <b>2450448</b> -030 -038	DESCRIPTION Double pole socket 2P+E with Earthing, with cover and safety shutters, IP44	Terminal connection Mounting brackets	Load current 16A	Voltage 250V-	Cable connection Screwless

## USB CHARGER

	ITEM NUMBER <b>2412096</b> -030 -038	DESCRIPTION "2xUSB charger. Allows you to charge devices (mobile phones, smartphones, tablet computers, etc.)"	Terminal connection 2.1 A	Load current 5VDC	Voltage 230 V	Cable connection Screw fixation
---	---	---	------------------------------	----------------------	------------------	------------------------------------

# Data/Video/Audio

## TV/RJ/MULTIMEDIA SOCKETS

### TV SOCKETS



ITEM NUMBER	DESCRIPTION	Cable connection
<b>2450477</b> -030 -038	Single TV socket	
<b>2010478</b> -030 -038	V type "F" socket	Screw fixation



ITEM NUMBER	DESCRIPTION	PURPOSE
<b>2410485</b> -030 -038	Intermediate TV-SAT socket	For analogue and digital TV
<b>2411486</b> -030 -038	Terminal TV-SAT socket	
<b>2411487</b> -030 -038	Single TV-SAT socket	

### TELEPHONE AND TELECOMMUNICATION SOCKETS






ITEM NUMBER	DESCRIPTION	Cable connection
<b>2410480</b> -030 -038	RJ-11 telephone socket, 4 pins	Screw fixation
<b>2410087</b> -030 -038	Cover for RJ45 (compatible with Keystone and Systemax format)	

### DOUBLE TELEPHONE AND TELECOMMUNICATION SOCKETS



ITEM NUMBER	DESCRIPTION
<b>2410088</b> -030 -038	Cover for double RJ45 (compatible with Keystone and Systemax format)

MULTIMEDIA SOCKETS

	<p>ITEM NUMBER  <b>2412090</b> -030 -038</p>	<p>DESCRIPTION                  2xUSB 2.0 connector, Type A, Female</p>	<p>Voltage                  Screw fixation</p>	
	<p>ITEM NUMBER  <b>2412094</b> -030 -038</p>	<p>DESCRIPTION                  HDMI (v 1.4) Female connector</p>	<p>Voltage                  Screw fixation</p>	<p>Cable connection                  Female-Female</p>
	<p>ITEM NUMBER  <b>2412095</b> -030 -038</p>	<p>DESCRIPTION                  HDMI (v 1.4) + USB (2.0, type A) Female connector</p>	<p>Voltage                  Screw fixation</p>	<p>Cable connection                  "HDMI Female-Female connector                  USB – screw connection"</p>

# Functions

## LIGHTING CONTROL AND ADJUSTMENT

### ROTARY DIMMER



ITEM NUMBER	DESCRIPTION	Terminal connection	Load current	Voltage	Cable connection
<b>2413313</b> -030 -038	Dimmer LED	230 V	6-120W	25-100VA	Screw fixation

### BLINDS



falta foto

ITEM NUMBER	DESCRIPTION	Load current	Voltage	Cable connection
<b>2410331</b> -030 -038	Blinds push-button	10A	250V	Rapide



falta foto

ITEM NUMBER	DESCRIPTION	Terminal connection	Load current	Voltage	Cable connection
<b>2410333</b> -030 -038	Blinds 3 positions	Push&Go	10A	250V	Rapide

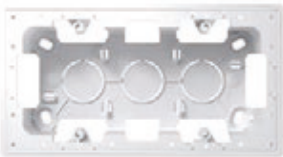
# Surface Mounting Boxes

## SURFACE MOUNTING

### SINGLE-BUTTON MECHANISMS



ITEM NUMBER	DESCRIPTION
<b>2400751</b> -030 -038	Mounting box, 1 element



ITEM NUMBER	DESCRIPTION
<b>2400752</b> -030 -038	Mounting box, 2 elements



ITEM NUMBER	DESCRIPTION
<b>2400753</b> -030 -038	Mounting box, 3 elements

# Additional Equipment

## CABLE OUTPUT



ITEM NUMBER

**2410801** -030 **-038**

DESCRIPTION

Cable output, fastener for fixing  
output wires

## CONTROL SWITCHES



ITEM NUMBER

**2400800** -030 **-038**

DESCRIPTION

Blind cover





[www.simonelectric.com](http://www.simonelectric.com)



**SIMON, S.A.U.**  
Diputación, 390-392  
08013 Barcelona  
(Spain)

**Sales**  
Tel. +34 935 478 181  
E-mail: [customerservie@simon.es](mailto:customerservie@simon.es)