



LAURIN

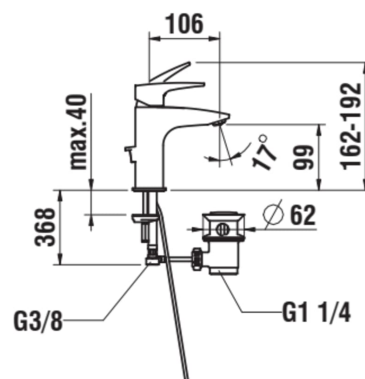
Single lever basin mixer, fixed spout, projection 106 mm, with pop-up waste

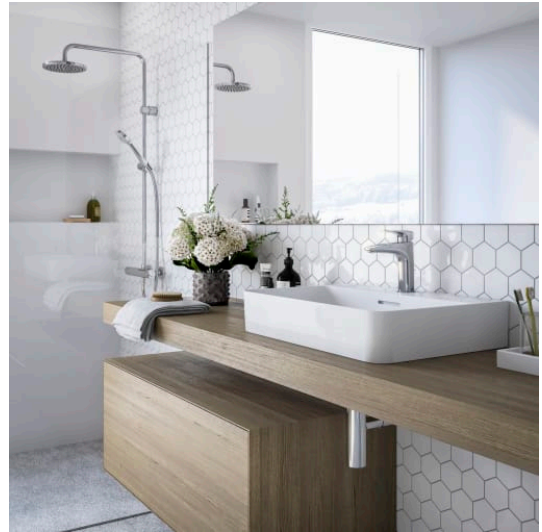
Acoustic level (dB) : Group 1 (Up to 20 dB)
 Aerator type : Coin slot PCA
 Application : Basin
 Cold water starts in the central position to save energy
 Faucet type : Single-lever
 Faucet type : Single-lever
 Finish : Chrome

Fixed spout
 Flexible supply hoses included
 Flow rate (l/min - 3 bar) : 5.7
 Handle position : Top
 Installation type : Deck-mounted
 Pop-up waste
 Spout length (mm) : 106

Spout position : Central
 Type of cartridge : Ceramic Disc
 Waste type : Pop-up waste
 Water and energy-saving
 Water connection diameter : 3/8"

TECHNICAL DRAWINGS





LAURIN



#certification_text

Standards and approvals: A+