

POWERED BY

Shelly

Hilux

Hilux DS8 TILT 360 - Powered by Shelly
White & black besel version
Works with Shelly Wifi and bluetooth



Technical date

Voltage	220-240V
Wattage	8W LED
CCT	2200K~6000K
Lumen	600lm @ 6000K 360lm @ 2200K
Output Current	170mA
Output Voltage	30V~38V
Beam Angle	40°
CRI	Ra≥95
SDCM	≤5
IP rating	IP44
Working temperature range	-20° C ...+40° C
Power Factor	PF≥0.9
Dimmable	0%~100%
IP Rating	IP44
Insulation class	Class III
Certificates	CE, RoHS
Life	L80/B20>50.000
Lifetime (hours)	50,000
Diameter	Ø90mm
Recessed Height	39mm
Cut Out	Ø68mm~83mm
Material	Die-cast aluminum
Colour	Black/White

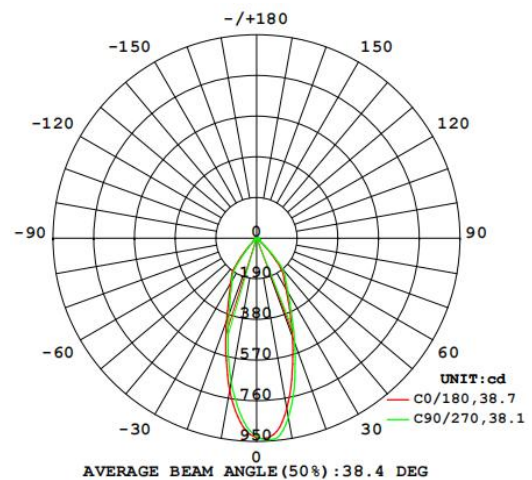
ENERGY

Hilux LED ApS
DS8 2200-6000K

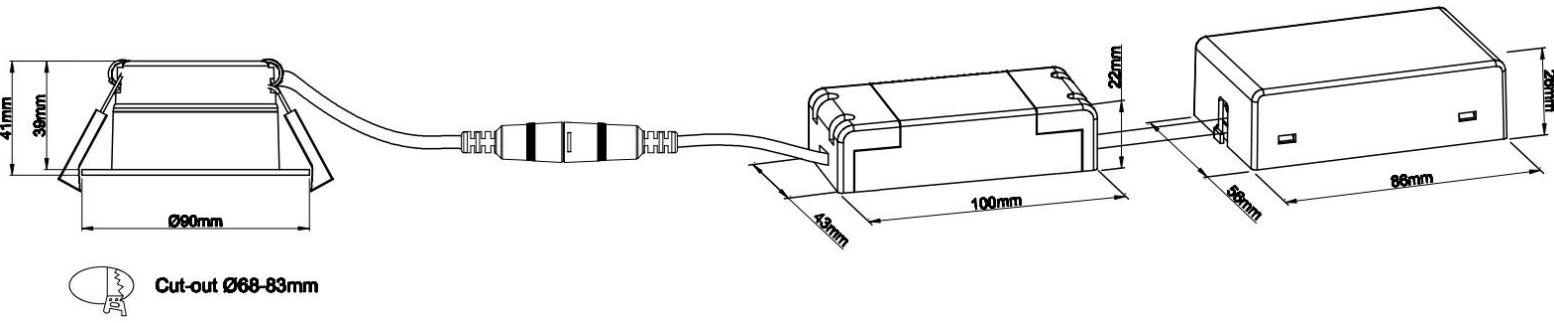
A
B
C
D
E
F
G

8 kWh/1000h

2019/2015

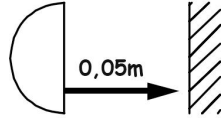


Installation



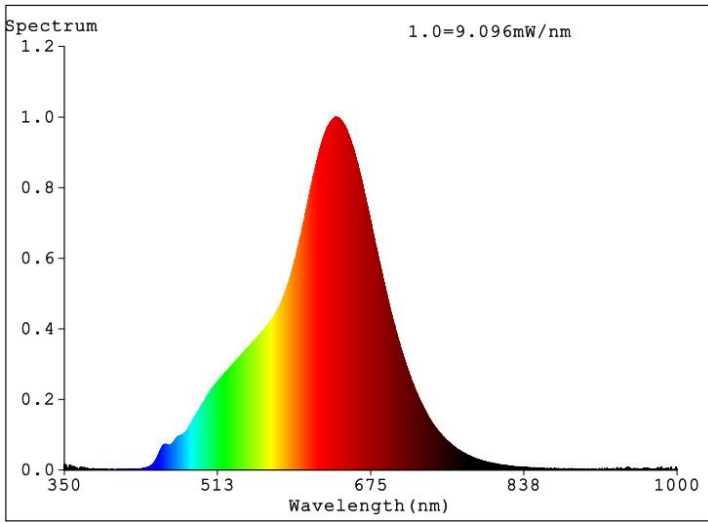
Distance:

Minimum distance to flammable material in the beam direction

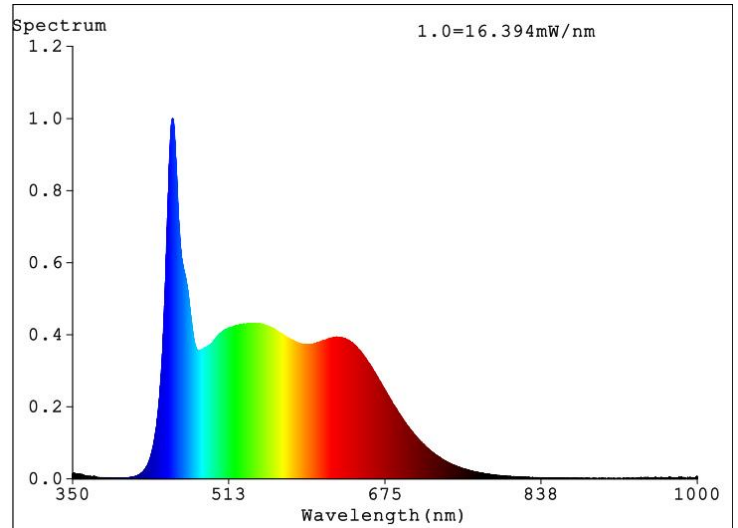


Spectrum Distribution

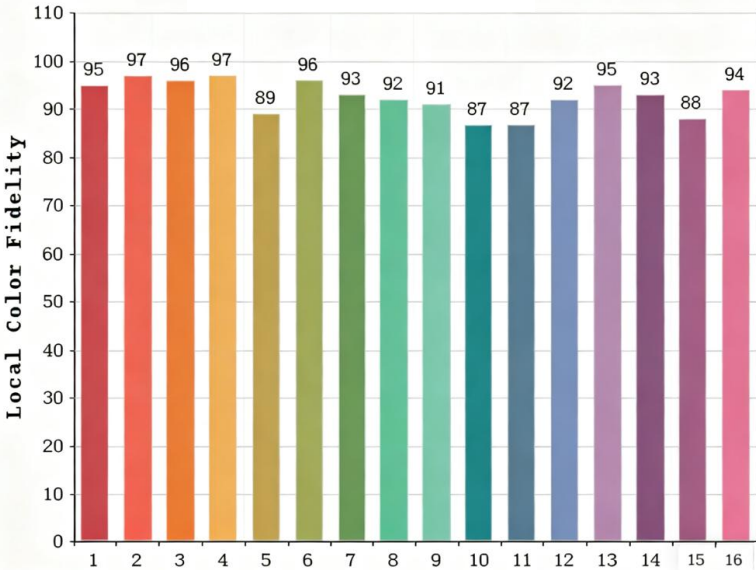
Warm white 2200K



Cool white 6000K



2200K TM-30 values



6000K TM-30 values

