

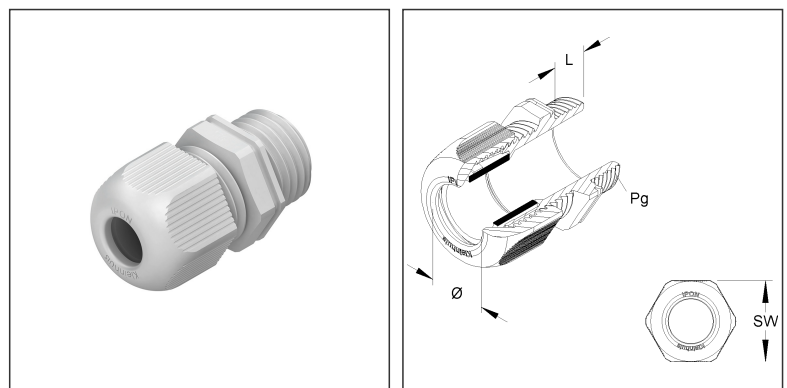
IPON®-Cable Gland

with Pg connection thread to DIN 40430

1234P1601

EAN Code: 4011126177091

the photorealistic images are to be considered as reference images



Article Description

IPON®-cable gland, Pg 16, for cable-Ø 10-14 mm, plastics PA, RAL 7035, light grey

Additional Price Information

Article group	K104
---------------	------

Weight

Weight per quantity unit	15 g
Weight in kg per 100	1,49 kg

Physical Article Dimensions

Height	30.00 mm
Width	30.00 mm
Depth/length	44.00 mm
Diameter	30.00 mm

Technical Datasheet

Cable glands

1234P1601

the photorealistic images are to be considered as reference images

Packing Dimension

1 piece = 1 piece		✓ VP1-smallest packaging unit (PU)			
Lenght	44.00 mm	Width	30.00 mm	Height	30.00 mm
Gross weight	0,02 kg	Volume	0,000 m ³		
Min. quantity	1	Max. Quantity	1		
50 pieces = 1		✓ VP2-preferred PU			
Height	71.00 mm	Width	138.00 mm	Lenght	256 mm
Gross weight	0,84 kg	Volume	0,003 m ³		
Min. Quantity	50.00	Max. Quantity	50.00		
500 covering boxes = 1 piece					
Lenght	370 mm	Width	282 mm	Height	260 mm
Gross weight	8,66 kg	Volume	0,027 m ³		
Min. Quantity	500.00	Max. Quantity	500.00		

Tender Text

IPON cable gland, with Pg connection thread to DIN 40430.
Nominal size : Pg 16
for cable-Ø : 10 - 14 mm
Connection thread length : 10 mm
Width across flats : 27 mm
Glow wire test acc. to VDE 0471/DIN IEC 695 Part 2-1: 650°C
Protection class : IP68, 5 bar
Flame resistance : UL 94 V-0
Application temperature range : -20° up to 100°C
Gland body material : Polyamide
Sealing ring material : CR/NBR
Colour : light grey
RAL: 7035 (similar)
Kleinhuis Model-No. : 1234P1601
EP Material_____ EP Wage_____
Unit price/piece

Safety & Environment

REACH Date	23.01.2024
REACH Info	Conformable
RoHS Info	Conformable

Origin & International Trade

Country of origin	DE
Customs tariff number	39269097