

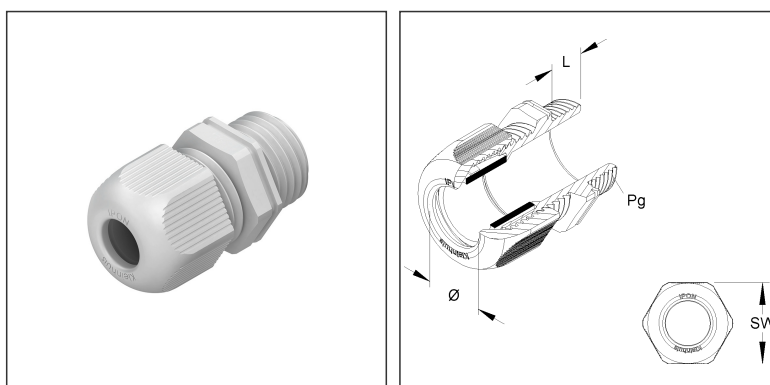
IPON®-Cable Gland

with Pg connection thread to DIN 40430

1234P2101

EAN Code: 4011126177084

the photorealistic images are to be considered as reference images



Article Description

IPON®-cable gland, Pg 21, for cable-Ø 13-18 mm, plastics PA, RAL 7035, light grey

Additional Price Information

Article group	K104
---------------	------

Weight

Weight per quantity unit	24 g
Weight in kg per 100	2,31 kg

Physical Article Dimensions

Height	36.50 mm
Width	36.50 mm
Depth/length	46.00 mm
Diameter	36.50 mm

Technical Datasheet

Cable glands

1234P2101

the photorealistic images are to be considered as reference images

Packing Dimension

1 piece = 1 piece		✓ VP1-smallest packaging unit (PU)			
Lenght	46.00 mm	Width	37.00 mm	Height	37.00 mm
Gross weight	0,02 kg	Volume	0,000 m³		
Min. quantity	1	Max. Quantity	1		
25 pieces = 1		✓ VP2-preferred PU			
Height	71.00 mm	Width	138.00 mm	Lenght	192.00 mm
Gross weight	0,67 kg	Volume	0,002 m³		
Min. Quantity	25.00	Max. Quantity	25.00		
250 covering boxes = 1 piece					
Lenght	370 mm	Width	282 mm	Height	196.00 mm
Gross weight	6,94 kg	Volume	0,020 m³		
Min. Quantity	250.00	Max. Quantity	250.00		

Tender Text

IPON cable gland, with Pg connection thread to DIN 40430.
Nominal size : Pg 21
for cable-Ø : 13 - 18 mm
Connection thread length : 11 mm
Width across flats : 33 mm
Glow wire test acc. to VDE 0471/DIN IEC 695 Part 2-1: 650°C
Protection class : IP68, 5 bar
Flame resistance : UL 94 V-0
Application temperature range : -20° up to 100°C
Gland body material : Polyamide
Sealing ring material : CR/NBR
Colour : light grey
RAL: 7035 (similar)
Kleinhuis Model-No. : 1234P2101
EP Material_____ EP Wage_____
Unit price/piece

Safety & Environment

REACH Date	23.01.2024
REACH Info	Conformable
RoHS Info	Conformable

Origin & International Trade

Country of origin	DE
Customs tariff number	39269097