

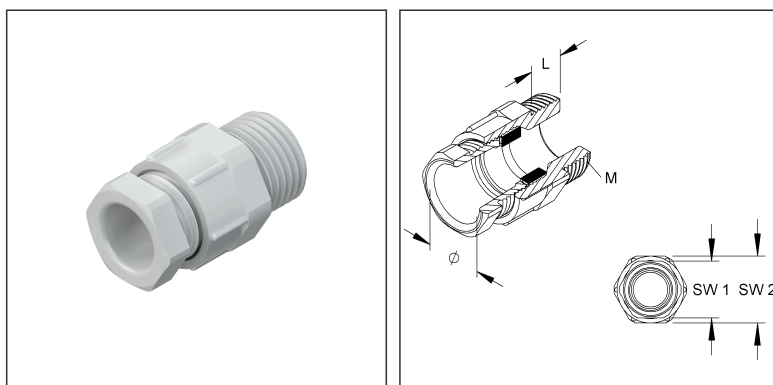
## CONUS-Cable Gland

with metric connection thread to DIN EN 60423, glass-fibre reinforced, with flame protection

**1250M2521**

EAN Code: 4011126365153

the photorealistic images are to be considered as reference images



### Article Description

CONUS-cable gland, M25, for cable-Ø 13-17 mm, plastics PA, RAL 7035, light grey

### Additional Price Information

Article group	K104
---------------	------

### Weight

Weight per quantity unit	20 g
Weight in kg per 100	1,93 kg

### Physical Article Dimensions

Height	36.00 mm
Width	36.00 mm
Depth/length	44.00 mm

# Technical Datasheet

## Cable glands

1250M2521

the photorealistic images are to be considered as reference images

### Packing Dimension

<b>1 piece = 1 piece</b>		✓ VP1-smallest packaging unit ( PU)			
Lenght	44.00 mm	Width	36.00 mm	Height	36.00 mm
Gross weight	0,02 kg	Volume	0,000 m <sup>3</sup>		
Min. quantity	1	Max. Quantity	1		
<b>50 pieces = 1</b>		✓ VP2-preferred PU			
Height	70.00 mm	Width	154.00 mm	Lenght	278 mm
Gross weight	1,09 kg	Volume	0,003 m <sup>3</sup>		
Min. Quantity	50.00	Max. Quantity	50.00		
<b>500 covering boxes = 1 piece</b>					
Lenght	370 mm	Width	282 mm	Height	316 mm
Gross weight	11 kg	Volume	0,033 m <sup>3</sup>		
Min. Quantity	500.00	Max. Quantity	500.00		

### Tender Text

CONUS cable gland similar to former DIN 46320, with metric connection thread according to DIN EN 60423, glass fibre reinforced, with flame protection, halogen-free.

Nominal size : M 25

for cable-Ø : 13 - 17 mm

Connection thread length : 11 mm

Width across flats 1 : 30 mm

Width across flats 2 : 32 mm

Glow wire test acc. to DIN EN 60695-2-10+11/VDE 0471-2-10+11: 650°C

Protection class : IP54

with connection thread sealing ring 987M...(please order separately! ) : IP65

Application temperature range : -40° up to 100°C

Material screw joint body : Polyamide

Material sealing ring : SBR/NBR

Material thrust ring : galvanised blue passivated steel

Colour : light grey RAL : 7035 (similar)

Kleinhuis Model-No. : 1250M2521

EP Material\_\_\_\_\_ EP Wage\_\_\_\_\_

Unit price/piece

### Safety & Environment

REACH Date	17.01.2023
REACH Info	Conformable
RoHS Info	Conformable

### Origin & International Trade

Country of origin	DE
Customs tariff number	39269097