

Reducing Ring

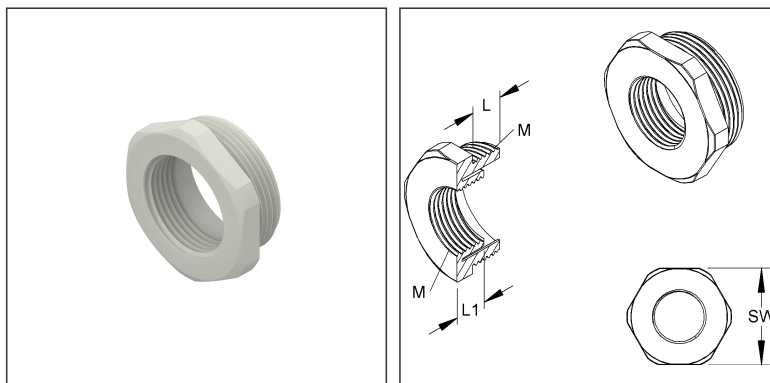
with metric connection thread and metric internal thread to DIN EN 60423, glass-fibre reinforced, with flame protection

1893M2016

EAN Code: 4011126366020

Smallest packaging unit: 50 pcs.

the photorealistic images are to be considered as reference images



Article Description

Reducing ring, thread M20 outside, thread M16 inside, Kunststoff PA, RAL 7035, lichtgrau

Additional Price Information

Article group	K104
quantity unit	pcs.

Weight

Weight per quantity unit	3 g / pcs.
Weight in kg per 100	0,22 kg / 100pcs.

Technical Datasheet

Reductions, extensions, adapter

1893M2016

the photorealistic images are to be considered as reference images

Physical Article Dimensions

Height	25.50 mm
Width	25.50 mm
Depth/length	11.00 mm
Diameter	25.50 mm

Packing Dimension

1 piece = 1 piece		✓ VP1-smallest packaging unit (PU)			
Lenght	11.00 mm	Width	26.00 mm	Height	26.00 mm
Gross weight	0 kg	Volume	0,000 m ³		
Min. quantity	1.00 pcs.	Max. Quantity	1.00 pcs.		
50 pieces = 1		✓ VP2-preferred PU			
Lenght	106.00 mm	Width	91.00 mm	Height	52.00 mm
Gross weight	0,16 kg	Volume	0,001 m ³		
Min. Quantity	50.00 pcs.	Max. Quantity	50.00 pcs.		
500 pieces = 1 covering box					
Lenght	281 mm	Width	186.00 mm	Height	110.00 mm
Gross weight	1,69 kg	Volume	0,006 m ³		
Min. Quantity	500.00 pcs.	Max. Quantity	500.00 pcs.		

Tender Text

Reducing ring with metric connection thread and metric internal thread according to DIN EN 60423, glass fibre reinforced, with flame protection, halogen-free.
 External thread : M 20
 Internal thread : M 16
 Thread length external : 7.5 mm
 Thread length internal : 9.5 mm
 Width across flats : 24 mm
 Glow wire test acc. to DIN EN 60695-2-10+11/VDE 0471-2-10+11: 650°C
 with connection thread sealing ring 987M... (please order separately!) : IP68
 Application temperature range : -40° to 100°C
 Material : polyamide
 Colour : light grey
 RAL : 7035 (similar)
 Kleinhuis Model-No. : 1893M2016
 EP Material _____ EP Wage _____
 Unit price/piece

Safety & Environment

REACH Date	27.06.2024
REACH Info	Conformable
RoHS Info	Conformable

Technical Datasheet

Reductions, extensions, adapter

1893M2016

the photorealistic images are to be considered as reference images

Origin & International Trade

Country of origin	DE
Customs tariff number	39269097