

## Hexagon Nut

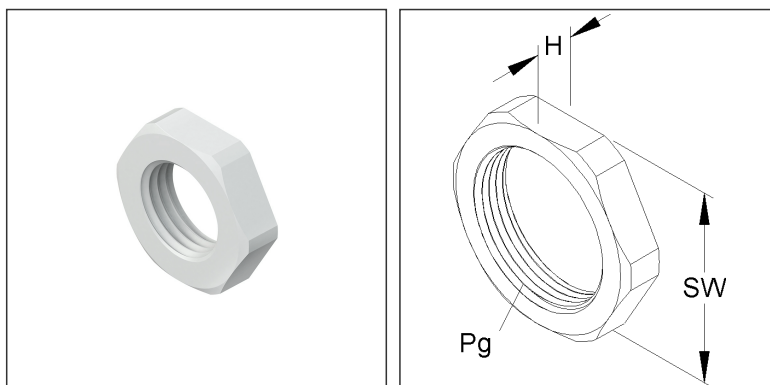
formerly DIN 46320, with Pg internal thread to DIN 40430

3420/09

EAN Code: 4011126019568

Smallest packaging unit: 100 pcs.

the photorealistic images are to be considered as reference images



### Article Description

Hexagon nut, Pg 9, height 5 mm, plastics PS, RAL 7035, light grey

### Additional Price Information

Article group	K104
quantity unit	pcs.

### Weight

Weight per quantity unit	2 g / pcs.
Weight in kg per 100	0,13 kg/ 100pcs.

# Technical Datasheet

## Cable glands

3420/09

the photorealistic images are to be considered as reference images

### Physical Article Dimensions

Height	5.00 mm
Width	24.00 mm
Depth/length	24.00 mm
Diameter	24.00 mm

### Packing Dimension

<b>1 piece = 1 piece</b>		✓ VP1-smallest packaging unit ( PU)			
Lenght	24.00 mm	Width	24.00 mm	Height	5.00 mm
Gross weight	0 kg	Volume	0,000 m <sup>3</sup>		
Min. quantity	1.00 pcs.	Max. Quantity	1.00 pcs.		
<b>100 pieces = 1</b>		✓ VP2-preferred PU			
Height	52.00 mm	Width	91.00 mm	Lenght	106.00 mm
Gross weight	0,17 kg	Volume	0,001 m <sup>3</sup>		
Min. Quantity	100.00 pcs.	Max. Quantity	100.00 pcs.		
<b>1000 covering boxes = 1 piece</b>					
Lenght	281 mm	Width	186.00 mm	Height	110.00 mm
Gross weight	1,86 kg	Volume	0,006 m <sup>3</sup>		
Min. Quantity	1.000.00 pcs.	Max. Quantity	1.000.00 pcs.		

### Tender Text

Hexagon nut according to former DIN 46320, with Pg internal thread according to DIN 40430, halogen-free. Tightening of the hexagon nut is only recommended by hand!

Nominal size : Pg 09

Height : 5 mm

Width across flats : 22 mm

Glow wire test acc. to DIN EN 60695-2-10+11/VDE 0471-2-10+11: 650°

Operating temperature : -30° to 60°C

Material : polystyrene

Colour: light grey

RAL: 7035 (similar)

Kleinhuis Model-No. : 3420/09

EP Material \_\_\_\_\_ EP Wage \_\_\_\_\_

Unit price/piece

### Safety & Environment

REACH Date	27.06.2024
REACH Info	Conformable
RoHS Info	Conformable

### Origin & International Trade

Country of origin	DE
Customs tariff number	39269097