

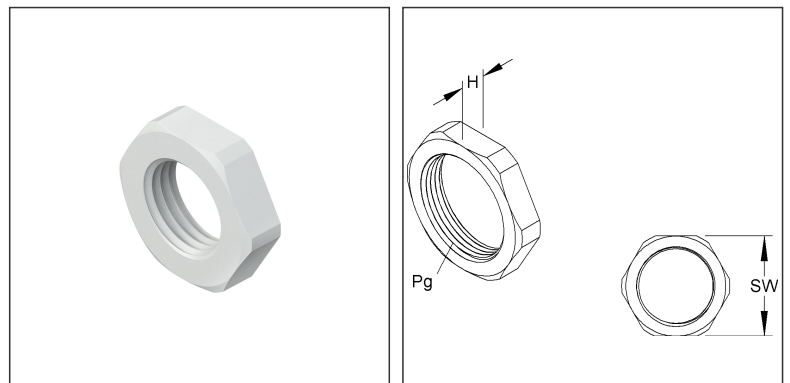
Hexagon Nut

formerly DIN 46320, with Pg internal thread to DIN 40430

3420/16

EAN Code: 4011126019797

the photorealistic images are to be considered as reference images



Article Description

Hexagon nut, Pg 16, height 6 mm, plastics PS, RAL 7035, light grey

Additional Price Information

Article group	K104
---------------	------

Weight

Weight per quantity unit	3 g
Weight in kg per 100	0,25 kg

Physical Article Dimensions

Height	6.00 mm
Width	32.00 mm
Depth/length	32.00 mm
Diameter	32.00 mm

Technical Datasheet

Cable glands

3420/16

the photorealistic images are to be considered as reference images

Packing Dimension

1 piece = 1 piece		✓ VP1-smallest packaging unit (PU)			
Lenght	32.00 mm	Width	32.00 mm	Height	6.00 mm
Gross weight	0 kg	Volume	0,000 m ³		
Min. quantity	1	Max. Quantity	1		
100 pieces = 1		✓ VP2-preferred PU			
Height	71.00 mm	Width	96.00 mm	Lenght	138.00 mm
Gross weight	0,29 kg	Volume	0,001 m ³		
Min. Quantity	100.00	Max. Quantity	100.00		
1000 covering boxes = 1 piece					
Lenght	370 mm	Width	282 mm	Height	100.00 mm
Gross weight	3,11 kg	Volume	0,010 m ³		
Min. Quantity	1.000.00	Max. Quantity	1.000.00		

Tender Text

Hexagon nut according to former DIN 46320, with Pg internal thread according to DIN 40430, halogen-free. Tightening of the hexagon nut is only recommended by hand!

Nominal size : Pg 16 Height : 6 mm
 Width across flats : 30 mm
 Glow wire test acc. to DIN EN 60695-2-10+11/VDE 0471-2-10+11: 650°
 Application temperature range : -30° to 60°C
 Material : Polystyrene
 Colour: light grey RAL: 7035 (similar)
 Kleinhuis Model-No. : 3420/16
 EP Material_____ EP Wage_____
 Unit price/piece

Safety & Environment

REACH Date	17.01.2023
REACH Info	Conformable
RoHS Info	Conformable

Origin & International Trade

Country of origin	DE
Customs tariff number	39269097