

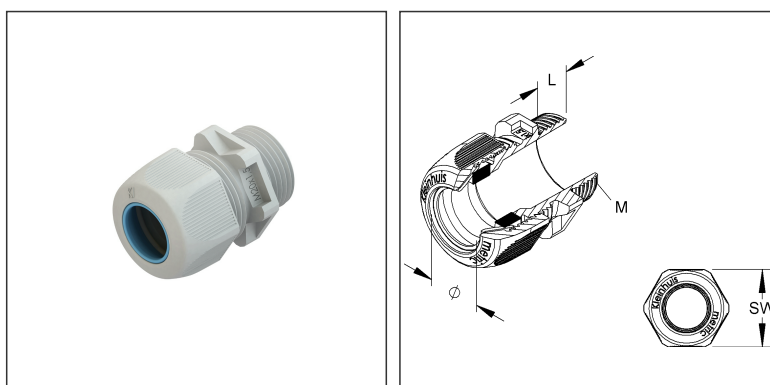
Metric®-Cable Gland

tested acc. to DIN EN 62444, with metric connecting thread acc. to DIN EN 60423

350M12

EAN Code: 4011126369717

the photorealistic images are to be considered as reference images



Article Description

Metric®-cable gland, M12, for cable-Ø 3-6 mm, Kunststoff PS, RAL 7035, lichtgrau

Additional Price Information

Article group	K104
---------------	------

Weight

Weight per quantity unit	4 g
Weight in kg per 100	0,39 kg

Physical Article Dimensions

Height	18.00 mm
Width	18.00 mm
Depth/length	30.00 mm
Diameter	18.00 mm

Technical Datasheet

Cable glands

350M12

the photorealistic images are to be considered as reference images

Packing Dimension

1 piece = 1 piece		✓ VP1-smallest packaging unit (PU)			
Lenght	30.00 mm	Width	18.00 mm	Height	18.00 mm
Gross weight	0 kg	Volume	0,000 m ³		
Min. quantity	1	Max. Quantity	1		
50 pieces = 1		✓ VP2-preferred PU			
Height	52.00 mm	Width	91.00 mm	Lenght	106.00 mm
Gross weight	0,24 kg	Volume	0,001 m ³		
Min. Quantity	50.00	Max. Quantity	50.00		
500 covering boxes = 1 piece					
Lenght	281 mm	Width	186.00 mm	Height	110.00 mm
Gross weight	2,54 kg	Volume	0,006 m ³		
Min. Quantity	500.00	Max. Quantity	500.00		

Tender Text

metric cable gland tested to DIN EN 62444, with metric connection thread to DIN EN 60423, halogen-free, connection thread sealing ring 987M...please order separately. Tightening of the cable gland is only recommended by hand!
 VDE certified!
 Nominal size : M 12
 for cable-Ø : 3 - 6 mm
 Connection thread length : 8 mm
 Width across flats : 16 mm
 Glow wire test acc. to DIN EN 60695-2-10+11/VDE 0471-2-10+11: 650°C
 Protection class : IP54
 Application temperature range : -30° to 60°C
 Gland body
 material : Polystyrene
 Sealing ring material : SBR/NBR Compression ring material : POM
 (polyoxymethylene)
 Colour : Light grey RAL: 7035 (similar)
 Kleinhuis Model-No. : 350M12 EP : 350M12
 EP Material_____ EP Wage_____
 Unit price/piece

Safety & Environment

REACH Date	23.01.2024
REACH Info	Conformable
RoHS Info	Conformable

Origin & International Trade

Country of origin	DE
Federal State of Origin	RP
Customs tariff number	39269097