

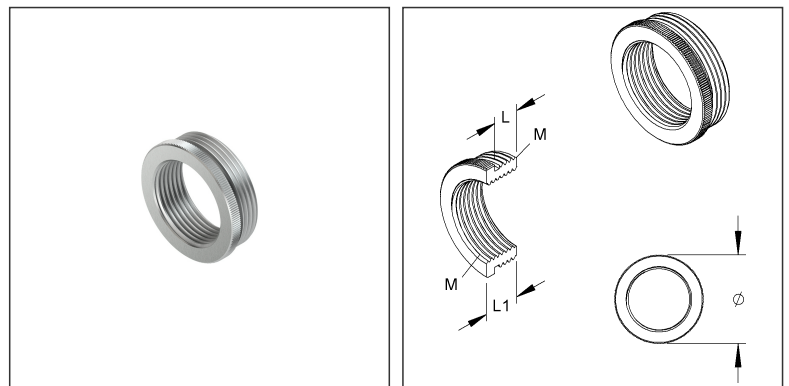
Reducing Ring

with metric connecting thread and metric internal thread to DIN EN 60423

44M2016

EAN Code: 4011126366747
 Smallest packaging unit: 100 pcs.

the photorealistic images are to be considered as reference images



Article Description

Reducing ring, thread M20 outside, thread M16 inside, brass, nickel-plated

Additional Price Information

Article group	K102
quantity unit	pcs.

Weight

Weight per quantity unit	12 g / pcs.
Weight in kg per 100	1,2 kg / 100pcs.

Technical Datasheet

Reductions, extensions, adapter

44M2016

the photorealistic images are to be considered as reference images

Physical Article Dimensions

Height	22.00 mm
Width	22.00 mm
Depth/length	9.00 mm
Diameter	22.00 mm

Packing Dimension

1 piece = 1 piece		✓ VP1-smallest packaging unit (PU)			
Lenght	9.00 mm	Width	22.00 mm	Height	22.00 mm
Gross weight	0,01 kg	Volume	0,000 m ³		
Min. quantity	1.00 pcs.	Max. Quantity	1.00 pcs.		
100 pieces = 1		✓ VP2-preferred PU			
Lenght	106.00 mm	Width	91.00 mm	Height	72.00 mm
Gross weight	1,23 kg	Volume	0,001 m ³		
Min. Quantity	100.00 pcs.	Max. Quantity	100.00 pcs.		
1000 pieces = 1 covering box					
Lenght	376 mm	Width	186.00 mm	Height	110.00 mm
Gross weight	12 kg	Volume	0,008 m ³		
Min. Quantity	1.000.00 pcs.	Max. Quantity	1.000.00 pcs.		

Tender Text

Reducing ring, with metric connection thread and metric internal thread according to DIN EN 60423.
 External thread : M 20
 Internal thread : M 16
 Thread length external : 6 mm Thread length internal : 9 mm External-Ø : 22 mm
 with connection thread sealing ring 987M...(please order separately!) : IP68
 Material : Brass, nickel-plated
 Kleinhuis Model-No. : 44M2016
 EP Material _____ EP Wage _____
 Unit price/piece

Safety & Environment

REACH Date	27.06.2024
REACH Info	Conformable
RoHS Info	Conformable

Origin & International Trade

Country of origin	DE
Customs tariff number	74198090