

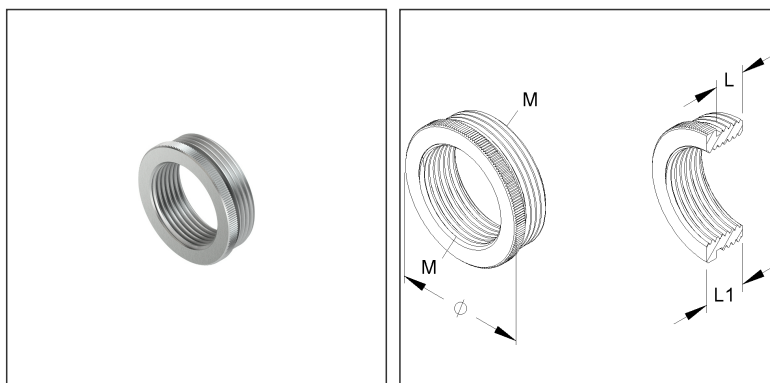
Reducing Ring

with metric connecting thread and metric internal thread to DIN EN 60423

44M2520

EAN Code: 4011126366785
 Smallest packaging unit: 100 pcs.

the photorealistic images are to be considered as reference images



Article Description

Reducing ring, thread M25 outside, thread M20 inside, Messing, vernickelt

Additional Price Information

Article group	K102
quantity unit	pcs.

Weight

Weight per quantity unit	22 g / pcs.
Weight in kg per 100	2,2 kg / 100pcs.

Technical Datasheet

Reductions, extensions, adapter

44M2520

the photorealistic images are to be considered as reference images

Physical Article Dimensions

Height	27.00 mm
Width	27.00 mm
Depth/length	10.00 mm
Diameter	27.00 mm

Packing Dimension

1 piece = 1 piece		✓ VP1-smallest packaging unit (PU)			
Lenght	10.00 mm	Width	27.00 mm	Height	27.00 mm
Gross weight	0,02 kg	Volume	0,000 m ³		
Min. quantity	1.00 pcs.	Max. Quantity	1.00 pcs.		
100 pieces = 1		✓ VP2-preferred PU			
Lenght	138.00 mm	Width	128.00 mm	Height	71.00 mm
Gross weight	2,26 kg	Volume	0,001 m ³		
Min. Quantity	100.00 pcs.	Max. Quantity	100.00 pcs.		
1000 pieces = 1 covering box					
Lenght	375 mm	Width	282 mm	Height	133.00 mm
Gross weight	23 kg	Volume	0,014 m ³		
Min. Quantity	1.000.00 pcs.	Max. Quantity	1.000.00 pcs.		

Tender Text

Reducing ring, with metric connection thread and metric internal thread according to DIN EN 60423.
External thread : M 25
Internal thread : M 20
Thread length external : 7 mm Thread length internal : 10 mm External-Ø : 27 mm with connection thread sealing ring 987M...(please order separately!) : IP68
Material : Brass, nickel-plated
Kleinhuis Model-No. : 44M2520
EP Material _____ EP Wage _____
Unit price/piece

Safety & Environment

REACH Date	27.06.2024
REACH Info	Conformable
RoHS Info	Conformable

Origin & International Trade

Country of origin	DE
Customs tariff number	74198090