

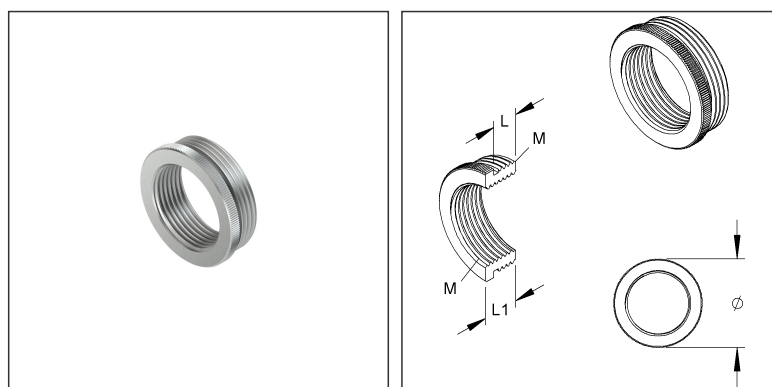
**Reducing Ring**

with metric connecting thread and metric internal thread to DIN EN 60423

44M3225

EAN Code: 4011126366846  
 Smallest packaging unit: 50 pcs.

the photorealistic images are to be considered as reference images



**Article Description**

Reducing ring, thread M32 outside, thread M25 inside, brass, nickel-plated

**Additional Price Information**

Article group	K102
quantity unit	pcs.

**Weight**

Weight per quantity unit	44 g / pcs.
Weight in kg per 100	4,34 kg / 100pcs.

# Technical Datasheet

## Reductions, extensions, adapter

44M3225

the photorealistic images are to be considered as reference images

### Physical Article Dimensions

Height	34.00 mm
Width	34.00 mm
Depth/length	11.00 mm
Diameter	34.00 mm

### Packing Dimension

<b>1 piece = 1 piece</b>		✓ VP1-smallest packaging unit ( PU)			
Lenght	11.00 mm	Width	34.00 mm	Height	34.00 mm
Gross weight	0,04 kg	Volume	0,000 m <sup>3</sup>		
Min. quantity	1.00 pcs.	Max. Quantity	1.00 pcs.		
<b>50 pieces = 1</b>		✓ VP2-preferred PU			
Lenght	138.00 mm	Width	128.00 mm	Height	71.00 mm
Gross weight	2,23 kg	Volume	0,001 m <sup>3</sup>		
Min. Quantity	50.00 pcs.	Max. Quantity	50.00 pcs.		
<b>500 pieces = 1 covering box</b>					
Lenght	375 mm	Width	282 mm	Height	133.00 mm
Gross weight	22 kg	Volume	0,014 m <sup>3</sup>		
Min. Quantity	500.00 pcs.	Max. Quantity	500.00 pcs.		

### Tender Text

Reducing ring, with metric connection thread and metric internal thread according to DIN EN 60423.  
External thread : M 32  
Internal thread : M 25  
Thread length external : 8 mm Thread length internal : 11 mm External-Ø : 34 mm with connection thread sealing ring 987M...(please order separately!) : IP68  
Material : Brass, nickel-plated  
Kleinhuis Model-No. : 44M3225  
EP Material \_\_\_\_\_ EP Wage \_\_\_\_\_  
Unit price/piece

### Safety & Environment

REACH Date	27.06.2024
REACH Info	Conformable
RoHS Info	Conformable

### Origin & International Trade

Country of origin	DE
Customs tariff number	74198090