

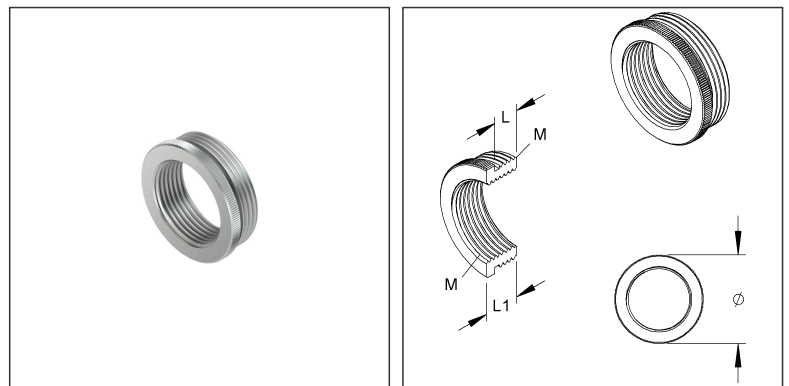
Reducing Ring

with metric connecting thread and metric internal thread to DIN EN 60423

44M6350

EAN Code: 4011126366983
 Smallest packaging unit: 10 pcs.

the photorealistic images are to be considered as reference images



Article Description

Reducing ring, thread M63 outside, thread M50 inside, brass, nickel-plated

Additional Price Information

Article group	K102
quantity unit	pcs.

Weight

Weight per quantity unit	200 g / pcs.
Weight in kg per 100	20 kg / 100pcs.

Technical Datasheet

Reductions, extensions, adapter

44M6350

the photorealistic images are to be considered as reference images

Physical Article Dimensions

Height	66.00 mm
Width	66.00 mm
Depth/length	14.00 mm
Diameter	66.00 mm

Packing Dimension

1 piece = 1 piece		✓ VP1-smallest packaging unit (PU)			
Lenght	14.00 mm	Width	66.00 mm	Height	66.00 mm
Gross weight	0,2 kg	Volume	0,000 m ³		
Min. quantity	1.00 pcs.	Max. Quantity	1.00 pcs.		
10 pieces = 1		✓ VP2-preferred PU			
Lenght	138.00 mm	Width	96.00 mm	Height	71.00 mm
Gross weight	2,05 kg	Volume	0,001 m ³		
Min. Quantity	10.00 pcs.	Max. Quantity	10.00 pcs.		
100 pieces = 1 covering box					
Lenght	370 mm	Width	282 mm	Height	100.00 mm
Gross weight	21 kg	Volume	0,010 m ³		
Min. Quantity	100.00 pcs.	Max. Quantity	100.00 pcs.		

Tender Text

Reducing ring, with metric connection thread and metric internal thread according to DIN EN 60423.
External thread : M 63
Internal thread : M 50
Thread length external : 10 mm Thread length internal : 14 mm External-Ø : 66 mm with connection thread sealing ring 987M...(please order separately!) : IP68
Material : Brass, nickel-plated
Kleinhuis Model-No. : 44M6350
EP Material _____ EP Wage _____
Unit price/piece

Safety & Environment

REACH Date	27.06.2024
REACH Info	Conformable
RoHS Info	Conformable

Origin & International Trade

Country of origin	DE
Customs tariff number	74198090