

## Cable Gland

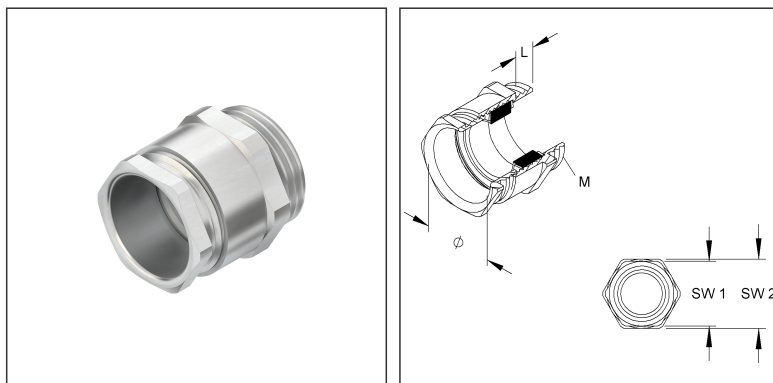
with metric connection thread to DIN EN 60423, with hexagonal intermediate connection piece

**530M2521**

EAN Code: 4011126363517

Smallest packaging unit: 25 pcs.

the photorealistic images are to be considered as reference images



### Article Description

Cable gland, hex. intermediate connection piece, M25, for cable-Ø 17-19mm, Messing, vernickelt

### Additional Price Information

Article group	K101
quantity unit	pcs.

### Weight

Weight per quantity unit	55 g / pcs.
Weight in kg per 100	5,43 kg / 100pcs.

# Technical Datasheet

## Cable glands

530M2521

the photorealistic images are to be considered as reference images

### Physical Article Dimensions

Height	33.00 mm
Width	33.00 mm
Depth/length	29.00 mm

### Packing Dimension

<b>1 piece = 1 piece</b>		✓ VP1-smallest packaging unit ( PU)			
Lenght	29.00 mm	Width	33.00 mm	Height	33.00 mm
Gross weight	0,06 kg	Volume	0,000 m <sup>3</sup>		
Min. quantity	1.00 pcs.	Max. Quantity	1.00 pcs.		

<b>25 pieces = 1</b>		✓ VP2-preferred PU			
Height	71.00 mm	Width	128.00 mm	Lenght	138.00 mm
Gross weight	1,42 kg	Volume	0,001 m <sup>3</sup>		
Min. Quantity	25.00 pcs.	Max. Quantity	25.00 pcs.		

<b>250 covering boxes = 1 piece</b>					
Lenght	375 mm	Width	282 mm	Height	133.00 mm
Gross weight	14 kg	Volume	0,014 m <sup>3</sup>		
Min. Quantity	250.00 pcs.	Max. Quantity	250.00 pcs.		

### Tender Text

Cable gland with metric connection thread according to DIN EN 60423, with hexagonal spigot, with thrust rings and sealing ring, halogen-free.  
Nominal size : M 25  
for cable-Ø : 17 - 19 mm  
Connection thread length : 7 mm  
Width across flats 1 : 28 mm  
Width across flats 2 : 30 mm  
Application temperature range : -30° to 100°C  
Protection class : IP54  
with connection thread sealing ring 987M...(please order separately! ) : IP65  
Material screw joint body : brass, nickel-plated  
Material pressure ring : galvanised blue passivated steel  
Material sealing ring : SBR/NBR  
Kleinhuis model no. : 530M2521  
EP Material \_\_\_\_\_ EP Wage \_\_\_\_\_  
Unit price/piece

### Safety & Environment

REACH Date	23.01.2024
REACH Info	Conformable
RoHS Info	Conformable

### Origin & International Trade

Country of origin	DE
Customs tariff number	74198090