

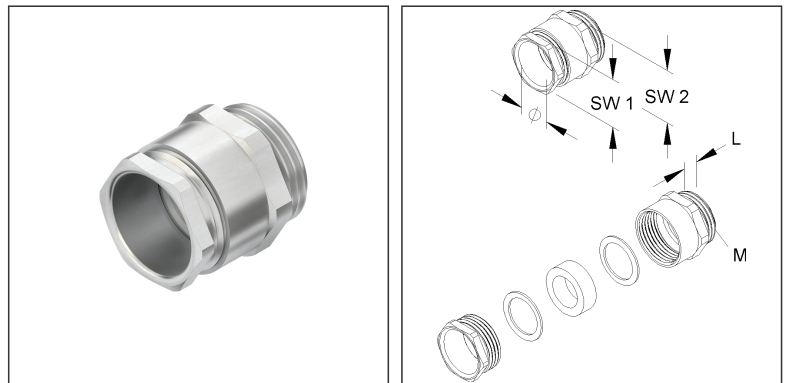
Cable Gland

with metric connection thread to DIN EN 60423, with hexagonal intermediate connection piece

530M6348

EAN Code: 4011126363616
 Smallest packaging unit: 5 pcs.

the photorealistic images are to be considered as reference images



Article Description

Cable gland, hex. intermediate connection piece, M63, for cable-Ø 41-43mm, Messing, vernickelt

Additional Price Information

Article group	K101
quantity unit	pcs.

Weight

Weight per quantity unit	364 g / pcs.
Weight in kg per 100	36 kg / 100pcs.

Technical Datasheet

Cable glands

530M6348

the photorealistic images are to be considered as reference images

Physical Article Dimensions

Height	70.00 mm
Width	70.00 mm
Depth/length	45.50 mm

Packing Dimension

1 piece = 1 piece		✓ VP1-smallest packaging unit (PU)			
Lenght	46.00 mm	Width	70.00 mm	Height	70.00 mm
Gross weight	0,36 kg	Volume	0,000 m ³		
Min. quantity	1.00 pcs.	Max. Quantity	1.00 pcs.		

5 pieces = 1		✓ VP2-preferred PU			
Height	71.00 mm	Width	128.00 mm	Lenght	138.00 mm
Gross weight	1,88 kg	Volume	0,001 m ³		
Min. Quantity	5.00 pcs.	Max. Quantity	5.00 pcs.		

50 covering boxes = 1 piece					
Lenght	375 mm	Width	282 mm	Height	133.00 mm
Gross weight	19 kg	Volume	0,014 m ³		
Min. Quantity	50.00 pcs.	Max. Quantity	50.00 pcs.		

Tender Text

Cable gland with metric connection thread according to DIN EN 60423, with hexagonal spigot, with thrust rings and sealing ring, halogen-free.
 Nominal size : M 63
 for cable-Ø : 41 - 43 mm
 Connection thread length : 10 mm
 Width across flats 1 : 60 mm
 Width across flats 2 : 66 mm
 Operating temperature : -30° to 100°C
 Protection class : IP54
 with connection thread sealing ring 987M...(please order separately!) : IP65
 Material screw joint body : brass, nickel-plated
 Material pressure ring : galvanised blue passivated steel
 Material sealing ring : SBR/NBR
 Kleinhuis model no. : 530M6348
 EP Material _____ EP Wage _____
 Unit price/piece

Safety & Environment

REACH Date	25.06.2025
REACH Info	Conformable
RoHS Info	Conformable

Origin & International Trade

Country of origin	IN
Customs tariff number	74122000